



DEPARTMENT OF CITY PLANNING
CITY OF NEW YORK

OFFICE OF THE CHAIR

November 27, 2023

City Council
City Hall
New York, NY 10007

Re: City of Yes for Carbon Neutrality
Application No. N 230113 ZRY
Citywide Zoning Text Amendment

Honorable Members of the Council:

The City Planning Commission (the "Commission") has received the attached correspondence, dated November 20, 2023, from the City Council regarding the proposed modifications to the above-referenced application submitted by the Department of City Planning for a citywide zoning text amendment.

In accordance with Section 197-d(d) of the New York City Charter, the Commission, on November 27, 2023, has determined that the City Council's proposed modification does not require additional review of environmental issues or pursuant to Section 197-c of the Charter.

Kind regards,

A handwritten signature in black ink, appearing to read "Daniel R. Garodnick", written over a white background.

Daniel R. Garodnick

C: F. Ruchala S. Avila N. Klingel
D. Decerbo S. Amron S. Myers

Daniel R. Garodnick, Chair
City Planning Commission
120 Broadway, 31st Floor, New York, N.Y. 10271
(212) 720-3200
www.nyc.gov/planning



THE COUNCIL
THE CITY OF NEW YORK
LAND USE DIVISION
250 BROADWAY - ROOM 1602
NEW YORK NEW YORK 10007

PERRIS STRAUGHTER
DIRECTOR

TEL.: 212-788-7335
PSTRAUGHTER@COUNCIL.NYC.GOV

November 20, 2023

Honorable Dan Garodnick, Chair
City Planning Commission
120 Broadway, 31st Floor
New York, NY 10271

Re: Application No. N 230113 ZRY (L.U. No.277)

City of Yes Zoning for Carbon Neutrality

Dear Chair Garodnick:

On November 20, 2023, the Land Use Committee of the City Council, by a vote of 10-1-0 for Application N **230113 ZRY** recommended modifications of the City Planning Commission’s decision in the above-referenced matter.

Pursuant to Section 197-d(d) of the City Charter I hereby file the proposed modifications with the Commission:

Matter ~~struck-out~~ is to be deleted;

Matter within # # is defined in Section 12-10;

* * * indicates where unchanged text appears in the Zoning Resolution.

Matter ~~double-struck-out~~ is old, deleted by the City Council;

Matter double-underlined is new, added by the City Council

**ARTICLE I
GENERAL PROVISIONS**

**Chapter 1
Title, Establishment of Controls and Interpretation of Regulations**

* * *

11-30

BUILDING PERMITS ISSUED BEFORE EFFECTIVE DATE OF AMENDMENT

* * *

11-33

Building Permits for Minor or Major Development or Other Construction Issued Before Effective Date of Amendment

The provisions of this Section shall apply to minor developments, major developments or other construction authorized by building permits lawfully issued before the effective date of an applicable amendment of this Resolution except as specifically provided elsewhere in this Resolution.

* * *

11-333

Residential developments with building permits issued on or before June 30, 1989
Special allowances for building permits issued prior to certain dates

(a) Residential developments with building permits issued on or before June 30, 1989

[indentation added] If on or before June 30, 1989, the foundations of a #residential# major or minor development have been completed and permits issued pursuant to the requirements of Section 11-331 (Right to construct if foundations completed), and a certificate of occupancy has not been issued by June 30, 1991, construction may continue until June 30, 1995, for a minor development, or until June 30, 1997, for a major development, provided the Commissioner of Buildings determines that 30 percent of the #floor area# of the major or minor development was roofed and enclosed by walls by June 30, 1991. Applications to continue construction under this Section must be filed with the Commissioner of Buildings within 90 days of December 5, 1991. If the Commissioner of Buildings has granted the right to continue construction of a major or minor development pursuant to this Section, the Board of Standards and Appeals may not grant the right to continue construction pursuant to paragraph (a) of Section 11-332.

11-334

Building permits issued prior to June 29, 1994

(b) Building permits issued prior to June 29, 1994

[indentation added] If, before June 29, 1994, a building permit has been lawfully issued, as set forth in paragraph (a) of Section 11-31, to a person with a possessory interest in a #zoning lot# authorizing construction, such construction may be started or continued for a period of one year pursuant to the regulations governing R6A, R6B, R7A, R7B, R7X, R8A, R8B, R8X, R9A, R9X or R10A Districts or #Commercial Districts# with such #Residence District bulk# regulations, or in any other district in which such construction complies with the Quality Housing Program, prior to the adoption of N940257 ZRY - Quality Housing Follow-Up Text Amendments.

11-335

~~Building permits for other construction in R1-2A and R2A Districts~~

(c) Building permits for other construction in R1-2A and R2A Districts

[indentation added] In R1-2A Districts established on or after April 22, 2009, and R2A Districts established on or after December 20, 2006, if a building permit for other construction has been lawfully issued prior to the dates establishing such districts, such construction may be continued, notwithstanding the provisions of paragraph (a) of Section 11-332 (Extension of period to complete construction), provided that the Department of Buildings determines that all of the requisite structural framing to perform the work authorized under the permit was completed on or before the date establishing the district. If the Commissioner of Buildings determines that such framing was not complete on such date, the provisions of paragraph (a) of Section 11-332 shall apply.

11-336

~~Building permits issued before April 30, 2008~~

(d) Building permits issued before April 30, 2008

[indentation added] In all districts other than R1, R2, R3, R4 or R5 Districts, if, before April 30, 2008, a building permit has been lawfully issued authorizing construction on a #zoning lot#, the provisions of N080078 ZRY, pertaining to #yards# and N080081 ZRY, pertaining to #street# trees, shall not apply, provided that foundations have been completed in accordance with paragraphs (a) and (b) of Section 11-331 (Right to construct if foundations completed), as applicable, before April 30, 2009. The provisions of Section 11-332 (Extension of period to complete construction) shall not apply.

11-337

~~Building permits issued and applications filed before April 22, 2009~~

(e) Building permits issued and applications filed before April 22, 2009

[indentation added] If, before April 22, 2009, a building permit has been lawfully issued authorizing construction on a #zoning lot#, the provisions of N090191 ZRY, pertaining to bicycle parking, shall not apply.

If, on or before November 17, 2008, an application for a special permit or variance is pending before the Board of Standards and Appeals or an authorization or special permit from the City Planning Commission has been certified or referred to authorize construction on a #zoning lot#, the provisions of N090191 ZRY, pertaining to bicycle parking, shall not apply.

For hospitals, if, before April 22, 2009, an application for a special permit or variance is pending before the Board of Standards and Appeals or an authorization or special permit from the City

Planning Commission has been filed to authorize construction on a #zoning lot#, the provisions of N090191 ZRY, pertaining to bicycle parking, shall not apply.

11-338

Building permits issued before February 2, 2011

(f) Building permits issued before February 2, 2011

[indentation added] If a building permit has been lawfully issued on or before February 2, 2011, authorizing “other construction” as set forth in paragraph (c)(3) of Section 11-31 (General Provisions), construction pursuant to such permit may continue pursuant to the regulations governing such construction prior to the adoption of N110090(A) ZRY (Key Terms Clarification zoning text amendment) until February 2, 2012.

However, this Section shall not apply to “other construction” subject to Sections 23-692 (Height limitations for narrow buildings or enlargements) or 109-124 (Height and setback regulations).

(g) Building permits issued before [date – one year after date of adoption]

The provisions of this Section shall apply to #developments# or #enlargements# seeking building permits for #buildings# in which floor space is exempted pursuant to paragraph (12)(ii) of the definition of #floor area# as was set forth in Section 12-10 (DEFINITIONS) before [date of adoption].

If, on or before [date of adoption], an application for a #development#, #enlargement# or #conversion# has been filed with the Department of Buildings, and if, on or before [date – one year after date of adoption], the Department of Buildings has approved an application for a foundation, a new building or an alteration based on a complete zoning analysis showing zoning compliance for such #development#, #enlargement#, or #conversion#, such application may be continued, and construction may be started or continued.

#Buildings# receiving building permits pursuant to this Section shall not be considered #ultra low energy buildings#.

11-339 11-334

Building permits issued in the flood zone

The provisions of this Section shall apply within #flood zones#. The provisions of this Section are subject to all provisions of Title 28 of the Administrative Code of the City of New York and Appendix G of the New York City Building Code, or its successors, including those pertaining to expiration, reinstatement, revocation and suspension. Changes in #flood maps# shall be considered an amendment of the Zoning Resolution for the purposes of applying the provisions of Section 11-30 (BUILDING PERMITS ISSUED BEFORE EFFECTIVE DATE OF AMENDMENT).

- (a) Construction approved pursuant to previous versions of #flood maps#

If, within one year prior to a change in the #flood maps# affecting a property, the Department of Buildings issued a building permit for construction on that property pursuant to the previous #flood maps#, the provisions of Article VI, Chapter 4 (Special Regulations Applying in Flood Hazard Areas) shall be deemed modified so as to substitute the previous #flood maps# for the current #flood maps# and such construction may continue pursuant to such prior #flood maps# until two years after the date of adoption of the new #flood maps#. After this date, the vesting provisions of Section 11-30 shall apply.

- (b) Provisions applying when Appendix A (Special Regulations for Neighborhood Recovery) of Article VI, Chapter 4 expires

This provision shall become effective only upon the expiration of Appendix A of Article VI, Chapter 4, adopted on July 23, 2015. If a building permit authorizing construction pursuant to Appendix A has been approved on or before the expiration of such Appendix, construction may continue up to two years after the expiration. After such date, the provisions of Section 11-30 shall apply.

* * *

Chapter 2
Construction of Language and Definitions

* * *

12-00
RULES FOR CONSTRUCTION OF LANGUAGE

* * *

12-10
DEFINITIONS

Words in the text or tables of this Resolution which are italicized shall be interpreted in accordance with the provisions set forth in this Section.

* * *

Accessory use, or accessory

An "accessory use":

Honorable Dan Garodnick, Chair
Application No. N 230113 ZRY
November 20, 2023
Page 6 of 192

- (a) is a use conducted on the same zoning lot as the principal use to which it is related (whether located within the same or an accessory building or other structure, or as an accessory use of land), except that, where specifically provided in the applicable district regulations or elsewhere in this Resolution, accessory docks, off-street parking or off-street loading need not be located on the same zoning lot; and
- (b) is a use which is clearly incidental to, and customarily found in connection with, such principal use; and
- (c) is either in the same ownership as such principal #use#, or is operated and maintained ~~on the same zoning lot on the same #zoning lot#~~ substantially for the benefit or convenience of the owners, occupants, employees, customers, or visitors of ~~the~~ such principal #use#.

~~An #accessory use# may serve principal #uses# located on #zoning lots# other than the one on which the #accessory use# is located, where both such #zoning lots# constitute, or are part of, a group of #zoning lots# containing such principal #uses#, which are contiguous or would be contiguous but for the separation of #streets#, and are under same single fee ownership or alternate ownership arrangement. In such cases, the evaluation of whether the #accessory use# is clearly incidental to the principal #uses# shall consider all #zoning lots# containing such principal #uses#.~~

When "accessory" is used in the text, it shall have the same meaning as accessory use.

An #accessory use# includes, but is not limited to:

- (1) Living or sleeping accommodations for servants in connection with a #use# listed in Use Groups 1 and 2;
- (2) Living or sleeping accommodations for caretakers in connection with any #use# listed in Use Groups 3 through 18 inclusive, provided that:
 - (i) no #building# contains more than one living or sleeping accommodation for caretakers;
 - (ii) no such living or sleeping accommodation shall exceed 1,200 square feet of #floor area#;
 - (iii) the owner shall sign a Restrictive Declaration that any such caretaker will provide maintenance and/or repair services, and containing a list of services to be performed by such caretaker. Such Restrictive Declaration shall be recorded in the Office of the City Register, or, where applicable, the County Clerk's Office, of the county where the #building# is located. A copy of such declaration shall be provided to the Department of Buildings;
 - (iv) in C6-2M, C6-4M, M1-5M, M1-6M and M1-5B Districts, no living or sleeping accommodation for caretakers is permitted in any #building# which contains a #residential use# or a #joint living-work quarters for artists#; and

Honorable Dan Garodnick, Chair
Application No. N 230113 ZRY
November 20, 2023
Page 7 of 192

- (v) such living or sleeping accommodation shall not be considered a #residential use# or cause a #building# to be considered a #mixed building#.
- (3) Living or sleeping accommodations in connection with #commercial# or #manufacturing uses#, including living or sleeping accommodations in connection with a studio listed in Use Group 9, provided that:
 - (i) no #building# contains more than two kitchens; and
 - (ii) no such living or sleeping accommodations are located in a C7, C8 or #Manufacturing District#.
- (4) Keeping of domestic animals, but not for sale or hire. A #commercial# stable or kennel is not an #accessory use#.
- (5) Swimming pools not located within a #building# listed in Use Group 1 or 2, provided that:
 - (i) the #use# of such pools shall be restricted to occupants of the principal #use# and guests for whom no admission or membership fees are charged;
 - (ii) if #accessory# to a #use# listed in Use Group 2, except if such #use# is a #single-family# or #two-family residence#, the edge of the pool shall be located not less than 100 feet from any #lot line#;
 - (iii) if #accessory# to a #use# listed in Use Group 1 or Use Group 2, which #use# is a #single-family residence# or #two-family residence#, the edge of the pool shall be located not less than five feet from any #lot line#, except that such minimum distance between the edge of the pool and any #side lot line# may be not less than three feet in the case of lots less than 25 feet in width, providing that it is screened from adjoining lots by a six foot high continuous solid opaque fence along the #side lot line# adjacent to such pool. In the event that such pool is located between 50 and five feet from any #rear lot line# or #side lot line#, it shall be screened by a continuous fence supplemented with a strip of densely planted trees or shrubs at least four feet high at the time of planting along such #rear lot line# to such pool; and
 - (iv) illumination of such pools shall be limited to underwater lighting.Swimming pool clubs are not #accessory uses#.
- (6) Domestic or agricultural storage in a barn, shed, tool room, or similar #building or other structure#.
- (7) #Home occupations#.
- (8) A newsstand primarily for the convenience of the occupants of a #building#, which is located wholly within such #building# and has no exterior #signs# or displays.

Honorable Dan Garodnick, Chair
Application No. N 230113 ZRY
November 20, 2023
Page 8 of 192

- (9) Incinerators.
- (10) In connection with #commercial# or #manufacturing uses#, the storage of goods normally carried in stock, used in, or produced by such #uses#, unless the storage is expressly prohibited under the applicable district regulation. The #floor area# used for such #accessory# storage shall be included in the maximum #floor area# permitted for specified #uses# set forth in the Use Groups.
- (11) Incidental repairs, unless expressly prohibited under the applicable district regulations. The #floor area# used for such #accessory# repairs shall be included in the maximum #floor area# permitted for specified #uses# set forth in the Use Groups.
- (12) The removal for sale of sod, loam, clay, sand, gravel or stone in connection with the construction of a #building or other structure# on the same #zoning lot#, or in connection with the regrading of a #zoning lot#, but in the latter case, not below the legal #street# grade.
- (13) #Accessory# off-street parking spaces, ~~open or enclosed~~.
- (14) #Accessory# off-street loading berths.
- (15) #Accessory signs#.
- (16) #Accessory# radio or television towers.
- (17) #Accessory# activities when conducted underground as part of the operation of railroad passenger terminals, such as switching, storage, maintenance or servicing of trains.
- (18) #Accessory# sewage disposal plants, except such plants serving more than 50 #dwelling units#.
- (19) An ambulance outpost operated by or under contract with a government agency or a public benefit corporation and located either on the same #zoning lot# as, or on a #zoning lot# adjacent to, a #zoning lot# occupied by a fire or police station.
- (20) ~~Electric vehicle charging in connection with parking facilities.~~
- (21) ~~Solar energy systems~~
- (20) Composting, without prohibition on the sale of compost to customers, or on the acceptance of organic material produced on another zoning lot.
- (21) #Accessory# mechanical equipment, including equipment serving the following #building# systems:
 - (i) mechanical, electrical, or plumbing systems;
 - (ii) fire protection systems;

- (iii) power systems, including, energy generation systems such as solar or wind energy systems and generators; and
- (iv) energy storage systems, where the amount of energy being stored shall not exceed 24 hours of the electrical load generated at peak demand by the principal #use# on the #zoning lot#. Where a #zoning lot# contains multiple #uses#, such calculation may be applied to the total demand of all the #uses# such power system is #accessory# to.

#Accessory# mechanical equipment shall be subject to the provisions of Sections 26-60 (SPECIAL SCREENING AND ENCLOSURE PROVISIONS), or 37-20, as applicable.

* * *

Attached (building)

A #building# shall be considered “attached” when it #abuts# two #lot lines# other than a #street line#, or another #building# or #buildings# other than a #semi-detached building#.

Automated parking facility

An “automated parking facility” shall refer to an #accessory# off-street parking facility or #public parking garage# where vehicular storage and retrieval within such facility is accomplished entirely through a mechanical conveyance system. A parking facility with parking lift systems that require an attendant to maneuver a vehicle that is to be parked shall not be considered an #automated parking facility#.

Automotive service station

An "automotive service station" is a #building or other structure# or an open #use# on a #zoning lot#, or portion thereof, used exclusively for the storage and sale of ~~gasoline or other motor~~ fuels for motor vehicles, and for any #uses accessory# thereto.

The sale of lubricants, accessories, or supplies, the lubrication of motor vehicles, the minor adjustment or repair of motor vehicles with hand tools only, ~~or the occasional washing of motor vehicles,~~ or electric vehicle charging are permitted #accessory uses#.

A #public parking lot# or #public parking garage# is not a permitted #accessory use#.

* * *

Energy infrastructure equipment

“Energy infrastructure equipment” shall include renewable energy generation systems, such as solar or wind energy systems, and energy storage systems, such as fuel cells and batteries, which are essential

throughout all districts in order to support the acceleration towards a distributed energy grid with electricity from fully renewable sources.

#Energy infrastructure equipment# shall refer to equipment that is a principal #use# on a #zoning lot#. Where such equipment is #accessory# to another #use#, it shall be considered #accessory# mechanical equipment.

Provisions pertaining to #energy infrastructure equipment# shall apply to all types of renewable energy generation systems, as well as to all types of energy storage systems, unless specific rules are otherwise specified, such as for solar and wind energy systems.

* * *

Floor area

"Floor area" is the sum of the gross areas of the several floors of a #building# or #buildings#, measured from the exterior faces of exterior walls or from the center lines of walls separating two #buildings#. In particular, #floor area# includes:

* * *

- (k) floor space that is ~~or becomes unused or not otherwise exempt pursuant to this Section and is, or is made,~~ inaccessible within a #building#;
- (l) floor space that has been eliminated from the volume of an existing #building# in conjunction with the #development# of a new #building# or in the case of a major #enlargement#, as set forth in Section 11-31 (General Provisions), of another #building# on the same #zoning lot#;
- ~~(m) floor space used for mechanical equipment that exceeds 50 square feet for the first #dwelling unit#, an additional 30 square feet for the second #dwelling unit#, and an additional 10 square feet for each additional #dwelling unit# in R2X, R3, R4 or R5 Districts. For the purposes of calculating floor space used for mechanical equipment, #building segments# on a single #zoning lot# may be considered to be separate #buildings#;~~
- ~~(n)~~ (l) floor space in exterior balconies or in open or roofed terraces if more than 67 percent of the perimeter of such balcony or terrace is enclosed and provided that a parapet not higher than 3 feet, 8 inches, or a railing not less than 50 percent open and not higher than 4 feet, 6 inches, shall not constitute an enclosure. For the purposes of such calculation, exterior #building# walls on adjoining #zoning lots abutting# an open or roofed terrace shall not constitute an enclosure. A sun control device that is accessible for purposes other than for maintenance shall be considered a balcony; and
- ~~(o)~~ (m) any other floor space not specifically excluded.

However, the #floor area# of a #building# shall not include:

* * *

[RELOCATING MECHANICAL EQUIPMENT DESCRIPTIONS TO ACCESSORY USE
DEFINITION]

- (8) floor space used for ~~accessory~~ mechanical equipment, ~~including equipment serving the mechanical, electrical, or plumbing systems of buildings~~ as well as fire protection systems, and power systems such as solar energy systems, generators, fuel cells, and energy storage systems. Such exclusion shall also include the minimum necessary floor space to provide for necessary maintenance and access to such equipment. However, such exclusion shall not apply in R2A Districts, and in R1-2A, R2X, R3, R4, or R5 Districts, such exclusion shall be limited to 50 square feet for the first ~~dwelling unit~~, an additional 30 square feet for the second ~~dwelling unit~~ and an additional 10 square feet for each additional ~~dwelling unit~~. For the purposes of calculating floor space used for mechanical equipment, ~~building segments~~ on a single ~~zoning lot~~ may be considered to be separate ~~buildings~~;

* * *

- (12) ~~qualifying exterior wall thickness~~, up to eight inches:
- (i) ~~where such wall thickness is added to the exterior face of a building wall existing on April 30, 2012, provided the added wall thickness has a thermal resistance (R-value) of at least 1.5 per inch; or~~
 - (ii) ~~where such wall thickness is part of an exterior wall constructed after April 30, 2012, equal to the number of inches by which the wall's total thickness exceeds eight inches, provided the above grade exterior walls of the building envelope are more energy efficient than required by the New York City Energy Conservation Code (NYCECC) as determined by the following:~~
 - (1) ~~the area weighted average U factor of all opaque above grade wall assemblies shall be no greater than 80 percent of the area weighted average U factor determined by using the prescribed requirements of the NYCECC; and~~
 - (2) ~~the area weighted average U factor of all above grade exterior wall assemblies, including vertical fenestrations, shall be no more than 90 percent of the area weighted average U factor determined by using the prescribed requirements of the NYCECC. For the purposes of calculating the area weighted average U factor, the amount of fenestration shall equal the amount of fenestration provided in such exterior walls, or an amount equal to the maximum fenestration area referenced in the NYCECC for the calculation of the baseline energy code requirement, whichever is less;~~

For the purposes of calculating compliance with this paragraph, (12)(ii), the term “above grade” shall only include those portions of walls located above the grade adjoining such wall. Compliance with this paragraph shall be demonstrated to the Department of Buildings at the time of issuance of the building permit for such exterior walls. The total area of wall thickness excluded from the calculation of ~~floor area~~ shall be reflected on the next issued temporary or

~~final certificate of occupancy for the #building#, as well as all subsequent certificates of occupancy;~~

- (13) ~~floor space in a #qualifying rooftop greenhouse# permitted pursuant to Sections 75-01 (Certification for Rooftop Greenhouses);~~
- (14) floor space on a sun control device, where such space is inaccessible other than for maintenance;
- (15) floor space within a #fully electrified building# or an #ultra low energy building#, of an amount equivalent to five percent of the #floor area# located within such #building#, and exclusive of any floor space otherwise excluded from #floor area#.

* * *

Front yard line level — see Yard line, front, level (of)

Fully electrified building

A “fully electrified building” is a #building# existing on [date of adoption] which complies with the requirements of Local Law 154 of 2021, as such requirements would apply to a new #building# where an application for the approval of construction documents is submitted to the Commissioner of Buildings after July 1, 2027.

* * *

Private road

A “private road” is a right-of-way, other than a #street#, that provides vehicular access from a #street# to five or more #dwelling units# that are within #buildings# or #building segments# that are located wholly beyond 50 feet of a #street line# or #street setback line#.

* * *

Regulations for #private roads# are located in Sections 26-00 (APPLICABILITY OF THIS CHAPTER) and 37-10 (~~APPLICABILITY OF ARTICLE II, CHAPTER 6, TO LOTS WITH PRIVATE ROADS~~) (SPECIAL REGULATIONS FOR PRIVATE ROADS AND LOWER DENSITY GROWTH MANAGEMENT AREAS).

* * *

Public parking garage

A “public parking garage” is a #building or other structure#:

- (a) that provides parking or storage for motor vehicles, but not for ~~commercial or public utility vehicles or~~ the dead storage of motor vehicles; and

- (b) some or all of whose parking spaces are non-#accessory#.

[MOVING TO PARKING CHAPTERS]

~~#Car sharing vehicles# may occupy parking spaces in a #public parking garage#; however, the number of spaces so occupied shall not exceed 40 percent of all parking spaces in such garage. A #public parking garage# may include #accessory# off-street parking spaces limited to such spaces that are #accessory# to other #uses# on the same #zoning lot#.~~

~~Sale of motor fuel or motor oil or m~~Minor repairs incidental to the parking or storage of motor vehicles ~~are~~ is a permitted #accessory uses#.

Public parking lot

A “public parking lot” is any open area on a #zoning lot# that is:

- (a) used for the parking or storage of motor vehicles, but not for ~~commercial or public utility vehicles~~ or the dead storage of motor vehicles; and
- (b) not #accessory# to a #use# on the same or another #zoning lot#.

[MOVING TO PARKING CHAPTERS]

~~#Car sharing vehicles# may occupy spaces in a #public parking lot#; however, the number of spaces so occupied shall not exceed 40 percent of all parking spaces in such parking lot. Minor repairs incidental to the parking or storage of motor vehicles are a permitted #accessory use#.~~

* * *

Publicly accessible open area

A “publicly accessible open area” is an open area for public use on a #zoning lot developed# in accordance with the requirements of a #plaza#, #residential plaza#, #urban plaza# or #public plaza#.

Qualifying exterior wall thickness

“Qualifying exterior wall thickness” shall refer to the floor space occupied by exterior wall thickness added to a #building# existing on [date of adoption], where:

- (a) for over-cladding projects: such wall thickness is added to a wall existing on [date of adoption], up to a maximum of 12 inches, provided the added wall thickness has an aggregate thermal resistance (R-value) of at least 1.5 per inch; or
- (b) for re-cladding projects: such wall thickness is located within a new wall that replaces a wall existing on [date of adoption], where the qualifying portion is occupied by additional thickness

relative to the previous wall, up to a maximum of 12 additional inches, and provided that the new wall shall comply with the minimum prescriptive and mandatory requirements for building thermal envelopes of the current New York City Energy Conservation Code.

#Qualifying exterior wall thickness# shall also include exterior wall thickness in exterior walls constructed between April 30, 2012 and [date of adoption] where such exterior wall thickness satisfied the requirements of paragraph (12)(ii) of the definition of #floor area# in effect at the time of construction.

#Qualifying exterior wall thickness# need not exclusively contain insulating materials and may include wall thickness occupied by conduits, ductwork, pipes, or other essential non-insulating building components.

Qualifying ground floor

A “qualifying ground floor” shall refer to the ground floor of a #development# or #enlargement# of a #Quality Housing building# on a #zoning lot#, or portion thereof, where:

* * *

Qualifying rooftop greenhouse

A “qualifying rooftop greenhouse” shall refer to any rooftop greenhouse that:

- (a) is located on the roof of a #building# that does not contain #residences#;
- (b) will be used primarily for cultivation of plants; and
- (c) has roofs and walls consisting of at least 70 percent transparent materials.

Such qualifying rooftop greenhouses shall be exempt from the definition of #floor area#, and shall be considered a permitted obstruction to height and setback, as set forth in the applicable district regulations.

Rooftop greenhouses which do not meet the requirements of this definition may also be permitted pursuant to the underlying district regulations, but shall not be exempt from the definition of #floor area#, and shall not be permitted obstructions to height and setback.

* * *

Ultra low energy building

An “ultra-low-energy building” shall refer to a #building# which complies with requirements for ultra-low-energy usage. At time of application for plan approval to the Commissioner of Buildings, materials shall be submitted demonstrating:

- (a) that such #building# shall comply with the requirements of Local Law 154 of 2021, as such requirements would apply to a new #building# where an application for the approval of construction documents is submitted to the Commissioner of Buildings after July 1, 2027;

- (b) that such #building# shall be designed and constructed to reduce energy use:
- (1) for #buildings# three #stories# or less:
- such #building# shall be a net-zero energy #building# which shall produce energy onsite from renewable energy sources in an amount equal to or greater than such #building#'s total energy needs; or
- (2) for all other #buildings#:
- ~~a site energy use intensity~~ the energy performance ~~that is~~ exceeds by at least 15 percent ~~or more below the site energy use intensity~~ energy performance of such a #building# if designed and constructed according to an approved modeling method set forth in ASHRAE 90.1 ~~required by~~ the New York City Energy Conservation Code.
- (c) ~~that the proposed design has been analyzed using an energy model or alternative design analysis,~~ and that a registered design professional has verified that the proposed design will meet the requirements of this definition; and
- (d) that plans have been prepared to conduct, as relevant: inspections, equipment commissioning, and airtightness testing during the construction phase.

No final certificate of occupancy shall be issued for such a #building# until a report prepared by a registered design professional has been submitted to the Commissioner of Buildings verifying that the #building# has completed and successfully passed the inspections, commissioning, and testing set forth in paragraph (d) of this definition.

The Department of City Planning may, by rule, update or supplement the requirements of this section exclusively for the purpose of keeping such requirements aligned with advancing technological and construction practices. Such updates may only modify the statutory reference in paragraph (a) of this definition; the specified parameters and reference standards of paragraph (b)(2) of this definition.

* * *

Chapter 3 Comprehensive Off-street Parking and Loading Regulations in the Manhattan Core

13-00 GENERAL PURPOSES

* * *

13-02
Definitions

* * *

[MOVING TO SECTION 12-10]

~~Automated parking facility~~

~~For the purposes of this Chapter, an “automated parking facility” shall refer to an #accessory# off street parking facility or #public parking garage# where vehicular storage and retrieval within such facility is accomplished entirely through a mechanical conveyance system. A parking facility with parking lift systems that require an attendant to maneuver a vehicle that is to be parked shall not be considered an #automated parking facility#.~~

* * *

13-10
PERMITTED OFF-STREET PARKING IN THE MANHATTAN CORE

* * *

[NOW COVERED BY UNDERLYING RULES]

13-101
Calculating parking spaces in automated parking facilities

~~For the purposes of this Resolution, with regard to #automated parking facilities#, the term “tray” shall refer to the structural support for vehicle storage in both pallet and non pallet vehicle storage systems.~~

~~For the purpose of calculating parking spaces in #automated parking facilities#, each tray upon which a vehicle is stored shall constitute one off street parking space. However, auxiliary parking trays may be exempted from constituting a parking space where the Commissioner of Buildings determines that such auxiliary parking trays are necessary to store and retrieve vehicles for the efficient operation of such #automated parking facility#.~~

* * *

[NOW COVERED BY UNDERLYING RULES]

13-16
Permitted Parking for Car Sharing Vehicles and Commercial Vehicles

~~#Car sharing vehicles# and commercial vehicle parking for motor vehicles not exceeding a length of 20 feet shall be permitted within #accessory# off street parking facilities, #public parking garages# and #public parking lots#, as follows:~~

(a) ~~Accessory off-street parking facilities~~

~~Car sharing vehicles may occupy parking spaces in an accessory off-street parking facility, provided that such car sharing vehicles shall not exceed 20 percent of all parking spaces in such facility, or five spaces, whichever is greater;~~

(b) ~~Public parking garages and public parking lots~~

(1) ~~In C1-5, C1-6, C1-7, C1-8, C1-9, C2 and C4 Districts, vehicles stored by automobile rental establishments and car sharing vehicles shall be permitted, provided such vehicles do not exceed, in total, 40 percent of the total number of parking spaces permitted within the public parking garage or public parking lot;~~

(2) ~~In C5, C6, C8, M1, M2 and M3 Districts, vehicles stored by automobile rental establishments and car sharing vehicles shall be permitted, provided such vehicles do not exceed, in total, 40 percent of the total number of parking spaces permitted within the public parking garage or public parking lot. In addition, commercial vehicle parking for motor vehicles not exceeding a length of 20 feet shall be permitted, provided that the total amount of parking spaces occupied by commercial vehicles, including any car sharing vehicles and automobile rental establishment vehicles, shall not exceed, in total, 50 percent of the total number of parking spaces permitted within the public parking garage or public parking lot.~~

* * *

13-20 SPECIAL RULES FOR MANHATTAN CORE PARKING FACILITIES

* * *

13-23 Floor Area

The definition of floor area in Section 12-10 shall be modified for purposes of this Chapter, as follows:

[NOW COVERED BY UNDERLYING RULES]

(a) ~~Attended parking facilities with parking lift systems~~

~~For portions of an attended parking facility with parking lift systems, individual lifted trays upon which a vehicle is stored which, in operation, rise to a height in excess of 23 feet, as measured above curb level, shall be considered floor area in an amount of 153 square feet, or the size of such lifted tray, whichever is greater.~~

(b) — ~~#Automated parking facilities#~~

Floor space used for off-street parking spaces in an ~~#accessory#~~ ~~#automated parking facility#~~ up to a height of 40 feet above ~~#curb level#~~ shall be exempt from the definition of ~~#floor area#~~ upon certification of the Chairperson of the City Planning Commission, pursuant to the provisions of Section 13-432 (Floor area exemption for automated parking facilities).

[NOW COVERED BY UNDERLYING RULES]

~~For portions of an #automated parking facility#, each tray upon which a vehicle is stored at a height in excess of 40 feet in parking facilities certified pursuant to Section 13-432, or 23 feet in all other #automated parking facilities#, shall be considered #floor area# in an amount of 153 square feet, or the size of such lifted tray, whichever is greater.~~

* * *

**Chapter 6
Comprehensive Off-Street Parking Regulations in the Long Island City Area**

* * *

**16-10
PERMITTED OFF-STREET PARKING IN THE LONG ISLAND CITY AREA**

* * *

[NOW COVERED BY UNDERLYING RULES]

**16-16
Permitted Parking for Car Sharing Vehicles and Commercial Vehicles**

~~#Car sharing vehicles# and commercial vehicle parking for motor vehicles not exceeding a length of 20 feet shall be permitted, as follows:~~

(a) — ~~#Accessory# off-street parking facilities~~

~~#Car sharing vehicles# may occupy parking spaces in an #accessory# off-street parking facility, provided that such #car sharing vehicles# shall not exceed 20 percent of all parking spaces in such facility, or five spaces, whichever is greater. #Accessory# #residential# off-street parking spaces shall be made available to the occupant of a #residence# to which it is #accessory# within 30 days after a written request therefor is made to the landlord.~~

(b) — ~~#Public parking garages# and #public parking lots#~~

(1) — ~~#Car sharing vehicles# shall be permitted within #public parking garages# and, where authorized pursuant to Section 16-342, #public parking lots#, provided such vehicles do not exceed, in total, 40 percent of the total number of parking spaces permitted.~~

(2) ~~Commercial vehicle parking for motor vehicles not exceeding a length of 20 feet shall be permitted within #public parking garages# and, where authorized pursuant to Section 16-342, #public parking lots#, provided that the total amount of parking spaces occupied by commercial vehicles shall not exceed 10 percent of the total number of parking spaces permitted, or 10 spaces, whichever is less.~~

* * *

**ARTICLE II
RESIDENCE DISTRICT REGULATIONS**

* * *

**Chapter 2
USE REGULATIONS**

* * *

**22-14
Use Group 4**

R1 R2 R3 R4 R5 R6 R7 R8 R9 R10

Use Group 4 consists primarily of community facilities that:

- (1) may appropriately be located in #residential# areas to provide recreational, religious, health and other essential services for the residents; or
- (2) can perform their activities more effectively in a #residential# environment, unaffected by objectionable influences from adjacent medium and heavy industrial #uses#; and
- (3) do not create significant objectionable influences in #residential# areas.

Those open #uses# of land which are compatible with a #residential# environment are also included.

* * *

B. Open #uses#

* * *

C. Special infrastructure

#Energy infrastructure equipment#, open or enclosed, provided that the total #lot area# occupied

by such equipment does not exceed 10,000 square feet. Where multiple pieces of equipment are provided, the aggregate footprint of all such equipment shall not exceed 10,000 square feet. All #energy infrastructure equipment# shall be subject to the provisions of Section 26-60 (SPECIAL SCREENING AND ENCLOSURE PROVISIONS)

C. D. #Accessory# #uses#

* * *

**Chapter 3
Residential Bulk Regulations in Residence Districts**

**23-00
APPLICABILITY AND GENERAL PURPOSES**

* * *

**23-012
Lower density growth management areas**

For areas designated as #lower density growth management areas# pursuant to Section 12-10 (DEFINITIONS), the underlying district regulations shall apply. Such regulations are superseded or supplemented as set forth in the following Sections:

* * *

Section 37-10 (~~APPLICABILITY OF ARTICLE II, CHAPTER 6, TO LOTS WITH PRIVATE ROADS~~)
(SPECIAL REGULATIONS FOR PRIVATE ROADS AND LOWER DENSITY GROWTH MANAGEMENT AREAS)

~~Section 37-20 (SPECIAL REGULATIONS FOR LOWER DENSITY GROWTH MANAGEMENT AREAS IN THE BOROUGH OF STATEN ISLAND), inclusive~~

**23-10
OPEN SPACE AND FLOOR AREA REGULATIONS**

* * *

23-12
Permitted Obstructions in Open Space

R1 R2 R3 R4 R5 R6 R7 R8 R9 R10

In the districts indicated, the obstructions permitted for any #yard# set forth in paragraph (a) of Section 23-441 (General permitted obstruction allowances), as well as the following obstructions, shall be permitted in any #open space# required on a #zoning lot#. For the purposes of applying such allowances to #open space#, all percentage calculations shall be applied to the area of the #open space# instead of the #yard# :

- ~~(a)~~ ~~Air conditioning condensation units, #accessory#, for #single # or #two family# #residences#, provided that such units, if located between a #street wall#, or prolongation thereof, and a #street line#, are not more than 18 inches from a #street wall#, and fully screened from the #street# by vegetation;~~
- ~~(b)~~ ~~Awnings and other sun control devices. However, when located at a level higher than the first #story#, excluding a #basement#, all such devices:~~
 - ~~(1)~~ ~~shall be limited to a maximum projection from a #building# wall of 2 feet, 6 inches; and~~
 - ~~(2)~~ ~~shall have solid surfaces that, in aggregate, cover an area no more than 30 percent of the area of the #building# wall (as viewed in elevation) from which they project;~~
- ~~(c)~~ (a) Balconies, unenclosed, subject to the provisions of Section 23-13;
- ~~(d)~~ (b) Breezeways;
- ~~(e)~~ (c) Driveways, private streets, open #accessory# off-street parking spaces, unenclosed #accessory# bicycle parking spaces or open #accessory# off-street loading berths, provided that the total area occupied by all these items does not exceed the percentages set forth in Section 25-64 (Restrictions on Use of Open Space for Parking);
- ~~(f)~~ ~~Eaves, gutters or downspouts, projecting into such #open space# not more than 16 inches or 20 percent of the width of such #open space#, whichever is the lesser distance;~~
- ~~(g)~~ ~~Exterior wall thickness, where such wall thickness is added to the exterior face of a #building# wall existing on April 30, 2012, provided the added wall thickness has a thermal resistance (R-value) of at least 1.5 per inch, and is limited to one inch of thickness for every foot of existing #open space# width, up to a maximum thickness of eight inches;~~
- (d) #Energy infrastructure equipment# and #accessory# mechanical equipment, subject to the requirements set forth in Section 23-442;
- (e) Greenhouses, non-commercial, #accessory#, limited to one #story# or 15 feet in height above adjoining grade, whichever is less, and limited to an area not exceeding 25 percent of the #open space##;

Honorable Dan Garodnick, Chair
Application No. N 230113 ZRY
November 20, 2023
Page 22 of 192

- ~~(h)~~(f) Parking spaces, off-street, enclosed, #accessory#, not to exceed one space per #dwelling unit#, when #accessory# to a #single-family#, #two-family# or three-#family# #residence#, provided that the total area occupied by a #building# used for such purposes does not exceed 20 percent of the total required #open space# on the #zoning lot#. However, two such spaces for a #single-family# #residence# may be permitted in #lower density growth management areas# and in R1-2A Districts;
- ~~(i)~~ #Accessory# power systems, including, but not limited to, generators, solar energy systems, fuel cells, batteries and other energy storage systems, provided that:
- ~~(1)~~ all equipment shall be subject to the following location, enclosure, and screening requirements, as applicable:
- ~~(i)~~ all generators and cogeneration equipment #accessory# to #buildings# other than #single # or #two family# #residences# shall be completely enclosed within a #building or other structure#, except as necessary for mechanical ventilation;
- ~~(ii)~~ all other types of equipment, including generators and cogeneration equipment serving #single # or #two family# #residences#, may be unenclosed, provided that such equipment is located at least five feet from any #lot line#. However, if the area bounding all such equipment, as drawn by a rectangle from its outermost perimeter in plan view, exceeds 25 square feet, such equipment shall be screened in its entirety on all sides. Such screening may be opaque or perforated, provided that where perforated materials are provided, not more than 50 percent of the face is open;
- ~~(iii)~~ where any equipment is located between a #street wall#, or prolongation thereof, and a #street line#, the entire width of such portion of the equipment facing a #street#, whether open or enclosed, shall be fully screened by vegetation; and
- ~~(2)~~ the size of all equipment, including any screening or portions of any #building or other structure# enclosing such equipment, shall not exceed:
- ~~(i)~~ an area equivalent to 25 percent of a required #open space#;
- ~~(ii)~~ in R1 through R5 Districts, a height of 10 feet above the adjoining grade; and
- ~~(iii)~~ in R6 through R10 Districts, a height of 15 feet above the adjoining grade.
- ~~(j)~~ Ramps or lifts for people with physical disabilities;
- ~~(k)~~(g) Solar energy systems:
- (1) on the roof of an #accessory# #building#, limited to 18 inches in height as measured perpendicular to the roof surface; or

(2) affixed to solar canopies and located over any #accessory# off-street parking space, provided that the height shall not exceed 15 feet above the level of the adjoining grade;

~~(2) on walls existing on April 30, 2012, projecting no more than 10 inches and occupying no more than 20 percent of the surface area of the #building# wall (as viewed in elevation) from which it projects;~~

(h) Steps;

~~(i)~~ (i) Swimming pools, #accessory#, above-grade structures limited to a height not exceeding eight feet above the level of the #rear yard# or #rear yard equivalent#;

~~(j)~~ (j) Terraces, unenclosed, fire escapes or planting boxes, provided that no such items project more than six feet into or over such #open space#.

However, any such #open space# that is part of a required #yard#, #rear yard equivalent# or #court# may contain an obstruction listed in this Section only where such obstruction is permitted, pursuant to Sections 23-44 (Permitted Obstructions in Required Yards or Rear Yard Equivalents) or 23-87 (Permitted Obstructions in Courts), as applicable.

* * *

23-142

Open space and floor area regulations in R1 and R2 Districts with a letter suffix and R3 through R5 Districts

R1 R2 R3 R4 R5

In R1 and R2 Districts with a letter suffix and R3 through R5 Districts, the maximum #lot coverage#, minimum #open space# and maximum #floor area ratio# shall be as set forth in the following table:

* * *

In addition, the following rules shall apply:

(c) In R3, R4 and R5 Districts, the permitted #floor area# of a #single-# or #two-family# #detached# or #semi-detached# #residence# #developed# after June 30, 1989, may be increased by up to 300 square feet if at least one enclosed #accessory# off-street parking space is provided in a garage located, wholly or partly, in the #side lot ribbon# pursuant to Sections 23-12 (Permitted Obstructions in Open Space), paragraph ~~(e)~~ (c), 23-4413 (Location of garages in side yards of corner lots) or 23-4424 (Location of garages in side yards of other zoning lots).

(d) In R1-2A Districts and in R3, R4-1 and R4A Districts within #lower density growth management areas#, the permitted #floor area# of a #single-# or #two-family# #detached# or #semi-detached# #residence# may be increased by up to 300 square feet for one parking space and up to 500 square feet for two parking spaces provided such spaces are in a garage located, wholly or partly, in the #side lot ribbon# pursuant to Sections 23-12, paragraph (e), 23-4413 or 23-4424, except that in R1-2A Districts, such parking spaces need not be located in the #side lot ribbon#.

* * *

23-40
YARD REGULATIONS

* * *

23-44
Permitted Obstructions in Required Yards or Rear Yard Equivalents

In all #Residence Districts#, the following obstructions set forth in this Section, inclusive, shall be permitted within a required #yard# or #rear yard equivalent# .:

[EXISTING OBSTRUCTIONS TO BE MOVED TO SUBSECTIONS]

- (a) In any #yard# or #rear yard equivalent#:
- (1) ~~Air conditioning condensation units, #accessory#, for #single # or #two family# #residences#, provided that such units, if located between a #street wall#, or prolongation thereof, and a #street line#, are not more than 18 inches from a #street wall#, and fully screened from the #street# by vegetation;~~
 - (2) ~~Arbors or trellises;~~
 - (3) ~~Awnings and other sun control devices, provided that when located at a level higher than the first #story#, excluding a #basement#, all such awnings and other sun control devices:~~
 - (i) ~~shall be limited to a maximum projection from a #building# wall of 2 feet, 6 inches; and~~
 - (ii) ~~shall have solid surfaces that, in aggregate, cover an area no more than 30 percent of the area of the #building# wall (as viewed in elevation) from which they project;~~
 - (4) ~~Balconies, unenclosed, of a #building# containing #residences# subject to the applicable provisions of Section 23-13. Such balconies are not permitted in required #side yards#;~~
 - (5) ~~Canopies;~~
 - (6) ~~Chimneys, projecting not more than three feet into, and not exceeding two percent of the area of, the required #yard# or #rear yard equivalent#;~~
 - (7) ~~Eaves, gutters or downspouts projecting into such #yard# or #rear yard equivalent# not more than 16 inches or 20 percent of the width of such #yard# or #rear yard equivalent#, whichever is the lesser distance;~~
 - (8) ~~Exterior wall thickness, where such wall thickness is added to the exterior face of a #building# wall existing on April 30, 2012, provided the added wall thickness has a~~

thermal resistance (R-value) of at least 1.5 per inch, and is limited to one inch of thickness for every foot of existing #yard# width, up to a maximum thickness of eight inches. When an open area is provided along a common #lot line#, then such exterior wall thickness is limited to one inch for every foot of existing open area on the #zoning lot#;

Where #buildings# that have added exterior wall thickness, pursuant to this Section, are #enlarged#, such #enlarged# portion may similarly encroach upon required #yards# in order to align with the exterior walls of the existing #building#, provided such #enlargement# contains less #floor area# than the existing #building#, and there is no encroachment of #floor area# into a required #yard#;

- (9) — Fences, not exceeding four feet in height above adjoining grade in any #front yard#, except that for #corner lots# a fence may be up to six feet in height within that portion of one #front yard# that is between a #side lot line# and the prolongation of the side wall of the #residence# facing such #side lot line#;
- (10) — Fire escapes, projecting into a #front yard#, only in such cases where the fire escape is required for the #conversion# of a #building# in existence before December 15, 1961;
- (11) — Flagpoles;
- (12) — Overhanging portions of a #building# in R4 and R5 Districts, except R4-1, R4A, R4B, R5A, R5B or R5D Districts, which are above the first #story# including the #basement# and which project not more than three feet into the required 18-foot #front yard#. In no case shall the lowest level of the projected portion be less than seven feet above the level of the #front yard# at the face of the #building#. Supports for the projected portion of any #building# are permitted obstructions within the required #front yard#, provided that the total area occupied by such supports does not exceed 15 percent of the area underneath the projected portion. No support may extend beyond the three-foot projection;
- (13) — Parking spaces for automobiles or bicycles, off street, open, #accessory#, within a #side# or #rear yard#;
- (14) — Parking spaces, off street, open, within a #front yard#, that are #accessory# to a #building# containing #residences#, provided that:
 - (i) — in R1, R2, R3-1, R3A, R3X, R4-1, R4A and R5A Districts, except in #lower density growth management areas#, such spaces meet all the requirements of paragraph (a) of Section 25-621 (Location of parking spaces in certain districts);
 - (ii) — in R3-2 Districts, R4 Districts other than R4-1, R4A and R4B Districts, and R5 Districts other than R5A, R5B and R5D Districts, such spaces meet all the requirements of paragraph (b) of Section 25-621;

- (iii) ~~in #lower density growth management areas#, such spaces are non-required and are located in a driveway that accesses parking spaces that are located behind the #street wall# of the #building# or prolongation thereof;~~

However, no parking spaces of any kind shall be permitted in any #front yard# in an R4B, R5B or R5D District. Furthermore, no parking spaces of any kind shall be permitted in any #front yard# on a #zoning lot# containing an #attached# or #semi-detached# #building# in an R1, R2, R3A, R3X, R4A or R5A District, or in any #front yard# on a #zoning lot# containing an #attached# #building# in an R3-1 or R4-1 District;

- (15) ~~#Accessory# power systems, including, but not limited to, generators, solar energy systems, fuel cells, batteries and other energy storage systems, provided that:~~

- (i) ~~all equipment shall be subject to the following location, enclosure, and screening requirements, as applicable:~~

(a) ~~all generators and cogeneration equipment #accessory# to #buildings# other than #single # or #two family# #residences# shall be completely enclosed within a #building or other structure#, except as necessary for mechanical ventilation;~~

(b) ~~all other types of equipment, including generators and cogeneration equipment serving #single # or #two family# #residences#, may be unenclosed, provided that such equipment is located at least five feet from any #lot line#. However, if the area bounding all such equipment, as drawn by a rectangle from its outermost perimeter in plan view, exceeds 25 square feet, such equipment shall be screened in its entirety on all sides. Such screening may be opaque or perforated, provided that where perforated materials are provided, not more than 50 percent of the face is open;~~

(c) ~~where any equipment is located in a #front yard#, the entire width of such portion of such equipment facing a #street#, whether open or enclosed, shall be fully screened by vegetation; and~~

- (ii) ~~the size of all equipment, including any screening or portions of any #building or other structure# enclosing such equipment, shall not exceed:~~

(a) ~~an area equivalent to 25 percent of a required #yard#, or #rear yard equivalent#, and in addition, in #front yards#, is limited to an area not exceeding 25 square feet. However, for #corner lots#, one #front yard# may be treated as a #side yard# for the purpose of applying such size restrictions;~~

(b) ~~in R1 through R5 Districts, a height of 10 feet above the adjoining grade in #rear yards#, #rear yard equivalents# and #side yards#, or a height of five feet above the adjoining grade in #front yards#; and~~

(c) ~~in R6 through R10 Districts, a height of 15 feet above the adjoining grade;~~

- (16) — Ramps or lifts for people with physical disabilities;
 - (17) — Solar energy systems on walls existing on April 30, 2012, projecting no more than 10 inches and occupying no more than 20 percent of the surface area of the #building# wall (as viewed in elevation) from which it projects;
 - (18) — Steps, provided that such steps access only the lowest #story# or #cellar# of a #building# fronting on a #street#, which may include a #story# located directly above a #basement#;
 - (19) — Swimming pools, #accessory#, above-grade structures limited to a height not exceeding eight feet above the level of the #rear yard# or #rear yard equivalent#. #Accessory# swimming pools are not permitted obstructions in any #front yard#;
 - (20) — Terraces or porches, open;
 - (21) — Walls, not exceeding eight feet in height above adjoining grade and not roofed or part of a #building#, and not exceeding four feet in height in any #front yard#, except that for #corner lots#, a wall may be up to six feet in height within that portion of one #front yard# that is between a #side lot line# and the prolongation of the side wall of the #residence# facing such #side lot line#;
- (b) In any #rear yard# or #rear yard equivalent# :
- (1) — Balconies, unenclosed, subject to the provisions of Section 23-13;
 - (2) — Breezeways;
 - (3) — Fire escapes;
 - (4) — Greenhouses, non-commercial, #accessory#, limited to one #story# or 15 feet in height above adjoining grade, whichever is less, and limited to an area not exceeding 25 percent of a required #rear yard#;
 - (5) — Parking spaces, off-street, #accessory#, for automobiles or bicycles, provided that:
 - (i) — if #accessory# to a #single # or #two-family residence#, the height of a #building# containing such parking spaces shall not exceed 10 feet in height above the adjoining grade and such #building# shall be #detached# from such #residence#. Furthermore, if located in an R1 District, such #building# may not be nearer than five feet to a #rear lot line# or #side lot line#. In R2A Districts, detached garages shall be included in #lot coverage#. In addition, solar energy systems, limited to 18 inches in height, as measured perpendicular to the roof surface, shall be permitted upon the roof of such #accessory# #building# within the #rear yard#;

- (ii) ~~if #accessory# to any other kind of #building# containing #residences#, the height of a #building#, or portion thereof, containing such parking spaces within the #rear yard#, shall not exceed 10 feet above adjoining grade, including the apex of a pitched roof in R3, R4 or R5 Districts, or 15 feet above #curb level# or #base plane#, as applicable, in R6, R7, R8, R9 or R10 Districts. In addition, decks, parapet walls, roof thickness, skylights, vegetated roofs, and weirs, as set forth in Section 23-62 (Permitted Obstructions), and solar energy systems, limited to 18 inches in height, as measured perpendicular to the roof surface, shall be permitted upon the roof of such #accessory# #building# within the #rear yard#;~~
- (iii) ~~enclosed #accessory# parking spaces for bicycles shall be #accessory# to a #residence# other than a #single # or #two-family residence#, attached to a #building#, and the area dedicated to such spaces shall not exceed the area of bicycle parking spaces permitted to be excluded from #floor area# pursuant to Section 25-85 (Floor Area Exemption);~~
- (6) ~~Recreational or drying yard equipment;~~
- (7) ~~Sheds, tool rooms or other similar #accessory# #buildings or other structures# for domestic or agricultural storage, with a height not exceeding 10 feet above the level of the #rear yard# or #rear yard equivalent#;~~
- (8) ~~Water conserving devices required in connection with air conditioning or refrigeration systems in #buildings# existing prior to May 20, 1966, if located not less than eight feet from any #lot line#.~~
- (9) ~~any portion of a #building# used for #residential uses# other than #dwelling units# in #Quality Housing buildings# containing #affordable independent residences for seniors# on #zoning lots# meeting the criteria set forth in paragraph (a)(4) of Section 23-664 (Modified height and setback regulations for certain Inclusionary Housing buildings or affordable independent residences for seniors), provided that:~~
 - (i) ~~such #zoning lot# is located in an R6 through R10 District other than an R6B, R7B or R8B District;~~
 - (ii) ~~the height of such #building# portion does not exceed one #story#, or 15 feet above the adjoining grade, whichever is less;~~
 - (iii) ~~such #building# portion is located within 100 feet of a #wide street#; and~~
 - (iv) ~~such space shall be accessible to all residents of the #building#.~~

In addition, decks, parapet walls, roof thickness, skylights, vegetated roofs and weirs, as set forth in Section 23-62 (Permitted Obstructions), and solar energy systems, limited to 18 inches in height, as measured perpendicular to the roof surface, shall be permitted upon the roof of such portion of a #building# within the #rear yard#.

~~However, no portion of a #rear yard equivalent# which is also a required #front yard# or required #side yard# may contain any obstructions not permitted in such #front yard# or #side yard#.~~

23-441

General permitted obstruction allowances

In all #Residence Districts#, the following obstructions shall be permitted within any required #yard# or #rear yard equivalent#. These allowances are generally common to #Residence#, #Commercial# and #Manufacturing Districts#.

(a) In any #yard# or #rear yard equivalent# :

- (1) #Accessory# mechanical equipment, limited in depth to 18 inches from an exterior wall;
- (2) Arbors or trellises;
- (2) Awnings and other sun control devices, provided that when located at a level higher than the first #story#, excluding a #basement#, all such awnings and other sun control devices:
 - (i) shall be limited to a maximum projection from a #building# wall of 2 feet, 6 inches; and
 - (ii) shall have solid surfaces that, in aggregate, cover an area no more than 30 percent of the area of the #building# wall (as viewed in elevation) from which they project;
- (3) Bicycles or micromobility parking, including necessary ancillary structures
- (4) Canopies;
- (5) Chimneys, projecting not more than three feet into, and not exceeding two percent of the area of, the required #yard# or #rear yard equivalent#;
- (6) Eaves, gutters, downspouts, or other similar projections, extending into such #yard# or #rear yard equivalent# not more than 16 inches or 20 percent of the width of such #yard# or #rear yard equivalent#, whichever is the lesser distance;
- (7) Electric vehicle charging equipment;
- (8) Flagpoles;
- (9) #Qualifying exterior wall thickness#;
- (10) Ramps or lifts for people with physical disabilities;

- (11) Solar energy systems, #accessory# or as part of an #energy infrastructure equipment#:
 - (i) on walls existing on April 30, 2012, projecting no more than 10 inches and occupying no more than 20 percent of the surface area of the #building# wall (as viewed in elevation) from which it projects; or
 - (ii) above other permitted obstructions, as applicable, provided that the additional height shall be limited to 18 inches;
- (12) Terraces or porches, open;
- (13) Window sills, or similar projections extending into such #yard# or #rear yard equivalent# not more than four inches;
- (b) In any #rear yard# or #rear yard equivalent#:
 - (1) Breezeways;
 - (2) Fire escapes;
 - (3) Greenhouses, non-commercial, #accessory#, limited to one #story# or 15 feet in height above adjoining grade, whichever is less, and limited to an area not exceeding 25 percent of a required #rear yard#;
 - (4) Recreational or drying yard equipment;
 - (5) Sheds, tool rooms or other similar #accessory# #buildings or other structures# for domestic or agricultural storage, with a height not exceeding 10 feet above the level of the #rear yard# or #rear yard equivalent#;
 - (6) Solar energy systems, #accessory# or as part of an #energy infrastructure equipment#:
 - (i) on the roof of a #building# permitted as an obstruction to such #yard#, up to four feet in height as measured perpendicular to the roof surface; however, limited to 18 inches in height as measured perpendicular to the roof surface when located above a detached #accessory# #building or other structure#, or on any roof with a slope greater than 20 degrees; or
 - (ii) affixed to solar canopies and located over any #accessory# off-street parking space, provided that the height shall not exceed 15 feet above the level of the adjoining grade;

- (7) Water-conserving devices required in connection with air conditioning or refrigeration systems in #buildings# existing prior to May 20, 1966, if located not less than eight feet from any #lot line#.

However, no portion of a #rear yard equivalent# which is also a required #front yard# or required #side yard# may contain any obstructions not permitted in such #front yard# or #side yard#.

23-442

Additional permitted obstructions

In all #Residence Districts#, the obstructions set forth in Section 23-441 (General permitted obstruction allowances), as well as the following obstructions, shall be permitted within a required #yard# or #rear yard equivalent#:

[MOVING PROVISIONS ONLY TO APPLICABLE TO RES TO SPECIFIC SUBSECTIONS]

- (a) In any #yard# or #rear yard equivalent# :

- (1) Balconies, unenclosed, of a #building# containing #residences# subject to the applicable provisions of Section 23-13. Such balconies are not permitted in required #side yards#;
- (2) Fences, not exceeding four feet in height above adjoining grade in any #front yard#, except that for #corner lots# a fence may be up to six feet in height within that portion of one #front yard# that is between a #side lot line# and the prolongation of the side wall of the #residence# facing such #side lot line#;
- (3) Fire escapes, projecting into a #front yard#, only in such cases where the fire escape is required for the #conversion# of a #building# in existence before December 15, 1961;
- (4) Overhanging portions of a #building# in R4 and R5 Districts, except R4-1, R4A, R4B, R5A, R5B or R5D Districts, which are above the first #story# including the #basement# and which project not more than three feet into the required 18-foot #front yard#. In no case shall the lowest level of the projected portion be less than seven feet above the level of the #front yard# at the face of the #building#. Supports for the projected portion of any #building# are permitted obstructions within the required #front yard#, provided that the total area occupied by such supports does not exceed 15 percent of the area underneath the projected portion. No support may extend beyond the three-foot projection;
- (5) Parking spaces for automobiles, off-street, open, #accessory#, within a #side# or #rear yard#;
- (6) Parking spaces, off-street, open, within a #front yard#, that are #accessory# to a #building# containing #residences#, provided that:

- (i) in R1, R2, R3-1, R3A, R3X, R4-1, R4A and R5A Districts, except in #lower density growth management areas#, such spaces meet all the requirements of paragraph (a) of Section 25-621 (Location of parking spaces in certain districts);
- (ii) in R3-2 Districts, R4 Districts other than R4-1, R4A and R4B Districts, and R5 Districts other than R5A, R5B and R5D Districts, such spaces meet all the requirements of paragraph (b) of Section 25-621;
- (iii) in #lower density growth management areas#, such spaces are non-required and are located in a driveway that accesses parking spaces that are located behind the #street wall# of the #building# or prolongation thereof;

However, no parking spaces of any kind shall be permitted in any #front yard# in an R4B, R5B or R5D District. Furthermore, no parking spaces of any kind shall be permitted in any #front yard# on a #zoning lot# containing an #attached# or #semi-detached# #building# in an R1, R2, R3A, R3X, R4A or R5A District, or in any #front yard# on a #zoning lot# containing an #attached# #building# in an R3-1 or R4-1 District;

- (7) #Energy infrastructure equipment# and #accessory# mechanical equipment, provided that:
 - (i) all equipment shall be subject to the applicable provisions of Section 26-60 (SPECIAL SCREENING AND ENCLOSURE PROVISIONS);
 - (ii) the size of all equipment, including any screening or portions of any #building or other structure# enclosing such equipment, shall not exceed:
 - (a) an area equivalent to 25 percent of a required #yard#, or #rear yard equivalent#, and in addition, in #front yards#, is limited to an area not exceeding 25 square feet. However, for #corner lots#, one #front yard# may be treated as a #side yard# for the purpose of applying such size restrictions;
 - (b) in R1 through R5 Districts, a height of 10 feet above the adjoining grade in #rear yards#, #rear yard equivalents# and #side yards#, or a height of five feet above the adjoining grade in #front yards#; and
 - (c) in R6 through R10 Districts, a height of 15 feet above the adjoining grade;
- (8) Steps, provided that such steps access only the lowest #story# or #cellar# of a #building# fronting on a #street#, which may include a #story# located directly above a #basement#;

- (9) Swimming pools, #accessory#, above-grade structures limited to a height not exceeding eight feet above the level of the #rear yard# or #rear yard equivalent#. #Accessory# swimming pools are not permitted obstructions in any #front yard#;
- (10) Walls, not exceeding eight feet in height above adjoining grade and not roofed or part of a #building#, and not exceeding four feet in height in any #front yard#, except that for #corner lots#, a wall may be up to six feet in height within that portion of one #front yard# that is between a #side lot line# and the prolongation of the side wall of the #residence# facing such #side lot line#;
- (b) In any #rear yard# or #rear yard equivalent# :
- (1) Balconies, unenclosed, subject to the provisions of Section 23-13;
- (2) Parking spaces, off-street, #accessory#, for automobiles or bicycles, provided that:
- (i) if #accessory# to a #single-# or #two-family residence#, the height of a #building# containing such parking spaces shall not exceed 10 feet in height above the adjoining grade and such #building# shall be #detached# from such #residence#. Furthermore, if located in an R1 District, such #building# may not be nearer than five feet to a #rear lot line# or #side lot line#. In R2A Districts, detached garages shall be included in #lot coverage#;
- (ii) if #accessory# to any other kind of #building# containing #residences#, the height of a #building#, or portion thereof, containing such parking spaces within the #rear yard#, shall not exceed 10 feet above adjoining grade, including the apex of a pitched roof in R3, R4 or R5 Districts, or 15 feet above #curb level# or #base plane#, as applicable, in R6, R7, R8, R9 or R10 Districts. In addition, decks, parapet walls, roof thickness, skylights, vegetated roofs, and weirs, as set forth in Section 23-62 (Permitted Obstructions), limited to 18 inches in height, as measured perpendicular to the roof surface, shall be permitted upon the roof of such #accessory# #building# within the #rear yard#;
- (iii) enclosed #accessory# parking spaces for bicycles shall be #accessory# to a #residence# other than a #single-# or #two-family residence#, attached to a #building#, and the area dedicated to such spaces shall not exceed the area of bicycle parking spaces permitted to be excluded from #floor area# pursuant to Section 25-85 (Floor Area Exemption);
- (3) any portion of a #building# used for #residential uses# other than #dwelling units# in #Quality Housing buildings# containing #affordable independent residences for seniors# on #zoning lots# meeting the criteria set forth in paragraph (a)(4) of Section 23-664 (Modified height and setback regulations for certain Inclusionary Housing buildings or affordable independent residences for seniors), provided that:
- (i) such #zoning lot# is located in an R6 through R10 District other than an R6B, R7B or R8B District;

- (ii) the height of such #building# portion does not exceed one #story#, or 15 feet above the adjoining grade, whichever is less;
- (iii) such #building# portion is located within 100 feet of a #wide street#; and
- (iv) such space shall be accessible to all residents of the #building#.

In addition, decks, parapet walls, roof thickness, skylights, vegetated roofs and weirs, as set forth in Section 23-62 (Permitted Obstructions), limited to 18 inches in height, as measured perpendicular to the roof surface, shall be permitted upon the roof of such portion of a #building# within the #rear yard#.

However, no portion of a #rear yard equivalent# which is also a required #front yard# or required #side yard# may contain any obstructions not permitted in such #front yard# or #side yard#.

23-441
23-443

Location of garages in side yards of corner lots

In all #Residence Districts#, on #corner lots#, enclosed #accessory# off-street parking spaces shall be considered permitted obstructions in any portion of a #side yard# which is within 30 feet of both #side lot lines#, provided that, in an R1 or R2A District, on a #corner lot# whose mean width is 45 feet or more, no structure used for such purposes shall be less than five feet from any #side lot line#. In R2A Districts, detached garages shall be included in #lot coverage#.

23-442
23-444

Location of garages in side yards of other zoning lots

In all #Residence Districts#, on #zoning lots# other than #corner lots#, where no #rear yard# is required under the provisions of Sections 23-541 (Within one hundred feet of corners) or 23-542 (Along short dimension of block), enclosed #accessory# off-street parking spaces shall be considered permitted obstructions in any portion of a #side yard# that is within 30 feet of the #rear lot line#.

* * *

23-461
Side yards for single- or two-family residences

R1 R2 R3 R4 R5 R6 R7 R8 R9 R10

* * *

(c) Additional regulations

(3) Permitted obstructions in open areas between #buildings#

Only #accessory# mechanical equipment limited in depth to 18 inches from an exterior wall, ~~air conditioning condensation units~~, chimneys, downspouts, eaves, ~~exterior wall thickness~~, gutters, open #accessory# off-street parking spaces, #qualifying exterior wall thickness#, ramps for access by people with disabilities, and steps as set forth in ~~paragraph (a)~~ the applicable provisions of Section 23-44, inclusive, shall be permitted obstructions in open areas required pursuant to paragraphs (c)(1) and (c)(2) of this Section, provided that such obstructions, not including #accessory# off-street parking spaces, #qualifying exterior wall thickness# or #accessory# mechanical equipment, may not reduce the minimum width of the open area by more than three feet.

* * *

23-462

Side yards for all other buildings containing residences

R3-2 R4 R5 R6 R7 R8 R9 R10

In the districts indicated, except as set forth in Section 23-461 (Side yards for single- or two-family residences) or Section 23-49 (Special Provisions for Side Lot Line Walls), #side yards# shall be provided for all #zoning lots# with #buildings# containing #residences# as provided in this Section:

R6 R7 R8 R9 R10

(c) In the districts indicated, no #side yards# are required. However, if any open area extending along a #side lot line# is provided at any level, it shall have a minimum width of eight feet, measured perpendicular to the #side lot line#, and extend along the entire #side lot line#, except where a #court# is provided in accordance with the applicable provisions of Section 23-60 (HEIGHT AND SETBACK REGULATIONS). ~~Obstructions permitted pursuant to paragraph (a) of The~~ allowances for permitted obstructions in any #yard# or #rear yard equivalent# set forth in Section 23-44 (Permitted Obstructions in Required Yards or Rear Yard Equivalents) shall be permitted in such open areas.

* * *

23-60

HEIGHT AND SETBACK REGULATIONS

* * *

23-62

Permitted Obstructions

In all #Residence Districts#, the obstructions set forth in this Section, inclusive, shall be permitted to penetrate a maximum height limit or #sky exposure plane# set forth in Sections 23-63 (Height and Setback Requirements in R1 Through R5 Districts), 23-64 (Basic Height and Setback Requirements), 23-66 (Height and Setback Requirements for Quality Housing Buildings) or 23-69 (Special Height Limitations).

[EXISTING PERMITTED OBSTRUCTION LIST BEING SPLIT INTO A GLOBAL LIST AND A RESIDENCE DISTRICT SPECIFIC LIST]

~~In all #Residence Districts#, except as provided in Section 23-621 (Permitted obstructions in certain districts), the obstructions listed in paragraphs (a) through (r) in this Section shall be permitted to penetrate a maximum height limit or #sky exposure plane# set forth in Sections 23-63 (Height and Setback Requirements in R1 Through R5 Districts), 23-64 (Basic Height and Setback Requirements), 23-66 (Height and Setback Requirements for Quality Housing Buildings) or 23-69 (Special Height Limitations):~~

- ~~(a) Awnings and other sun control devices, provided that when located at a level higher than the first #story#, excluding a #basement#, all such awnings and other sun control devices:~~
- ~~(1) shall be limited to a maximum projection from a #building# wall of 2 feet, 6 inches, except when located on the first #story# above a setback;~~
 - ~~(2) shall have solid surfaces that, in aggregate, cover an area no more than 30 percent of the area of the #building# wall (as viewed in elevation) from which they project; and~~
 - ~~(3) may rise above the permitted #building# height, up to the height of a parapet wall or guardrail permitted in accordance with paragraph (j) of this Section.~~

~~When located on the first #story# above a setback, awnings and other sun control devices shall be limited to a projection of 50 percent of the depth of the required setback, and shall be limited, in total, to 50 percent of the width of the #building# wall from which they project;~~

- ~~(b) Balconies, unenclosed, subject to the provisions of Section 23-13;~~
- ~~(c) #Building# columns, having an aggregate width equal to not more than 20 percent of the #aggregate width of street walls# of a #building#, to a depth not exceeding 12 inches, in an #initial setback distance#, optional front open area, or any other required setback distance or open area set forth in Sections 23-63, 23-64, 23-65 (Tower Regulations) or 23-66;~~
- ~~(d) Chimneys or flues, with a total width not exceeding 10 percent of the #aggregate width of street walls# of a #building# at any level;~~
- ~~(e) Decks, and other surfaces for recreational activities, not more than 3 feet, 6 inches in height, as measured from the maximum height limit, or the finished level of the roof as it existed on April 30, 2012, whichever is higher;~~

Honorable Dan Garodnick, Chair
Application No. N 230113 ZRY
November 20, 2023
Page 37 of 192

- (f) Dormers having an #aggregate width of street walls# equal to not more than 50 percent of the width of the #street wall# of a #detached# or #semi-detached# #single# or #two-family residence#;
- (g) Elevator or stair bulkheads (including shafts; and vestibules not larger than 60 square feet in area providing access to a roof), roof water tanks and #accessory# mechanical equipment (including enclosures), other than solar or wind energy systems, provided that:
- (1) such obstructions shall be located not less than 10 feet from the #street wall# of a #building#, except that such obstructions need not be set back more than 25 feet from a #narrow# #street line# or more than 20 feet from a #wide# #street line#. However, such restrictions on location shall not apply to elevator or stair bulkheads (including shafts or vestibules), provided the #aggregate width of street walls# of such bulkheads within 10 feet of a #street wall#, facing each #street# frontage, times their average height, in feet, does not exceed an area equal to four times the width, in feet, of the #street wall# of the #building# facing such frontage;
 - (2) all mechanical equipment shall be screened on all sides;
 - (3) such obstructions and screening are contained within a volume that complies with one of the following:
 - (i) the product, in square feet, of the #aggregate width of street walls# of such obstructions facing each #street# frontage, times their average height, shall not exceed an area equal to eight feet times the width, in feet, of the #street wall# of the #building# facing such frontage; or
 - (ii) the #lot coverage# of all such obstructions does not exceed 20 percent of the #lot coverage# of the #building#, and where the maximum permitted height of a #building# is less than 120 feet, such obstructions are limited to a maximum height of 25 feet, and where the maximum permitted height of a #building# is 120 feet or greater, such obstructions are limited to a maximum height of 40 feet.
- For the purposes of this paragraph, (g), #abutting# #buildings# on a single #zoning lot# may be considered to be a single #building#;
- (h) Exterior wall thickness, up to eight inches, where such wall thickness is added to the exterior face of a #building# wall existing on April 30, 2012, provided the added wall thickness has a thermal resistance (R value) of at least 1.5 per inch. Where #buildings# that have added exterior wall thickness pursuant to this Section are #enlarged#, such #enlarged# portion may similarly penetrate a maximum height limit in order to align with the exterior walls of the existing #building#, provided such #enlargement# contains less #floor area# than the existing #building#, and there is no penetration of #floor area# above a maximum height limit;
- (i) Flagpoles or aerials;

- (j) Parapet walls, not more than four feet in height, as measured from the maximum height limit, or the finished level of the roof as it existed on April 30, 2012, whichever is higher. A guardrail with a surface at least 70 percent open or with an opacity no more than 30 percent (as viewed in elevation), shall be permitted above a parapet wall or within two feet of a parapet wall, provided such guardrail is not more than four feet above the accessible level of a roof. Such restriction on guardrail height shall not apply when located beyond two feet from a parapet wall;
- (k) Roof thickness, up to eight inches, to accommodate the addition of insulation, for #buildings# or portions of #buildings# constructed prior to April 30, 2012. For a #building# that has added roof thickness pursuant to this paragraph, an #enlargement# may align with the finished roof surface of such #building#, provided the #enlarged# portion does not exceed the maximum height limit by more than eight inches;
- (l) Skylights, clerestories or other daylighting devices, not more than four feet in height, as measured from the maximum height limit, or the finished level of the roof as it existed on April 30, 2012, whichever is higher. Such devices shall be limited to a #lot coverage# not greater than 10 percent of the #lot coverage# of the roof and be located at least eight feet from the #street wall# edge. However, such devices shall not be permitted obstructions above a roof with a slope greater than 20 degrees;
- (m) Solar energy systems:
 - (1) on the roof of a #building#, up to four feet in height, as measured from the maximum height limit, or the finished level of the roof, whichever is higher;
 - (2) on the roof of a #building#, greater than four feet in height, as measured from the maximum height limit, or the finished level of the roof, whichever is higher, provided that all such portions above four feet are set back at least six feet from a #street wall#, limited to a #lot coverage# not greater than 25 percent of the #lot coverage# of the roof and do not exceed:
 - (i) in R1 through R5 Districts, a height of six feet;
 - (ii) in R6 through R10 Districts, a height of 15 feet; and
 - (iii) when located on a bulkhead or other obstruction pursuant to paragraph (g) of this Section, a height of six feet;
 - (3) on walls existing on April 30, 2012, projecting no more than 10 inches and occupying no more than 20 percent of the surface area of the #building# wall (as viewed in elevation) from which it projects.

However, any installation on a roof with a slope greater than 20 degrees shall be limited to 18 inches in height, as measured perpendicular to the roof surface.

- (n) Vegetated roofs, not more than 3 feet, 6 inches in height, excluding vegetation, as measured from the maximum height limit, or the finished level of the roof as it existed on April 30, 2012,

~~whichever is higher. On roofs with slopes greater than 20 degrees, vegetated roofs shall be limited to a height of 12 inches measured perpendicular to such roof surface;~~

- ~~(o) Weirs, check dams and other equipment for stormwater management, not more than 3 feet, 6 inches in height, as measured from the maximum height limit, or the finished level of the roof as it existed on April 30, 2012, whichever is higher;~~
- ~~(p) Wind energy systems on portions of #buildings# with a height of 100 feet or greater, provided:
 - ~~(1) the highest point of the wind turbine assembly does not exceed 55 feet;~~
 - ~~(2) no portion of the wind turbine assembly is closer than 10 feet to any #lot line#; and~~
 - ~~(3) the diameter of the swept area of the rotor does not exceed 15 feet;~~~~
- ~~(q) Window washing equipment mounted on a roof;~~
- ~~(r) Wire, chain link or other transparent fences.~~

* * *

23-621

General permitted obstructions

In all #Residence Districts#, the following obstructions shall be permitted to penetrate a maximum height limit or #sky exposure plane#. These allowances are generally common to #Residence#, #Commercial# and #Manufacturing Districts#.

- (a) Awnings and other sun control devices, provided that when located at a level higher than the first #story#, excluding a #basement#, all such awnings and other sun control devices:
 - (1) shall be limited to a maximum projection from a #building# wall of 2 feet, 6 inches, except when located on the first #story# above a setback;
 - (2) shall have solid surfaces that, in aggregate, cover an area no more than 30 percent of the area of the #building# wall (as viewed in elevation) from which they project; and
 - (3) may rise above the permitted #building# height, up to the height of a parapet wall or guardrail permitted in accordance with this Section.

When located on the first #story# above a setback, awnings and other sun control devices shall be limited to a projection of 50 percent of the depth of the required setback, and shall be limited, in total, to 50 percent of the width of the #building# wall from which they project;

- (b) #Building# columns, having an aggregate width equal to not more than 20 percent of the #aggregate width of street walls# of a #building#, to a depth not exceeding 12 inches, in an

- #initial setback distance#, optional front open area, or any other required setback distance or open area set forth in the applicable height and setback regulations;
- (c) Chimneys or flues, with a total width not exceeding 10 percent of the #aggregate width of street walls# of a #building# at any level;
 - (d) Decks, and other surfaces for recreational activities, not more than 3 feet, 6 inches in height, as measured from the maximum height limit;
 - (e) Flagpoles or aerials;
 - (f) Parapet walls, not more than four feet in height, as measured from the maximum height limit. A guardrail with a surface at least 70 percent open or with an opacity no more than 30 percent (as viewed in elevation), shall be permitted above a parapet wall or within two feet of a parapet wall, provided such guardrail is not more than four feet above the accessible level of a roof. Such restriction on guardrail height shall not apply when located beyond two feet from a parapet wall;
 - (g) #Qualifying exterior wall thickness#
 - (h) Roof thickness, up to 12 inches, to accommodate the addition of insulation, for #buildings# or portions of #buildings# constructed prior to [date of adoption]. For a #building# that has added roof thickness pursuant to this paragraph, the height of any other permitted obstruction may be measured from the finished level of the roof instead of the maximum height limit or #sky exposure plane#.
 - (i) Skylights, clerestories or other daylighting devices, not more than four feet in height, as measured from the maximum height limit. Such devices shall be limited to a #lot coverage# not greater than 10 percent of the #lot coverage# of the roof and be located at least eight feet from the #street wall# edge. However, such devices shall not be permitted obstructions above a roof with a slope greater than 20 degrees;
 - (j) Solar energy systems, #accessory# or as part of an #energy infrastructure equipment#:
 - (1) on the roof, or any portion thereof, of a #building#, with a slope less than 20 degrees: up to a height of 15 feet, or, when located on a bulkhead or other obstruction of this Section, a height of six feet; or
 - (2) on the roof, or any portion thereof, of a #building#, which has a slope of more than 20 degrees: up to a height of 60 inches in height, as measured perpendicular to the roof surface;
 - (k) Vegetated roofs, not more than 3 feet, 6 inches in height, excluding vegetation, as measured from the maximum height limit. On roofs with slopes greater than 20 degrees, vegetated roofs shall be limited to a height of 12 inches measured perpendicular to such roof surface;

- (l) Weirs, check dams and other equipment for stormwater management, not more than 3 feet, 6 inches in height, as measured from the maximum height limit;
- (m) Window washing equipment mounted on a roof;
- (n) Wire, chain link or other transparent fences.

* * *

23-622
Additional permitted obstructions

In all #Residence Districts#, the obstructions set forth in Section 23-621 (General permitted obstructions), as well as the following obstructions, shall be permitted to penetrate a maximum height limit or #sky exposure plane#.

- (a) Balconies, unenclosed, subject to the provisions of Section 23-13;
- (b) Dormers having an #aggregate width of street walls# equal to not more than 50 percent of the width of the #street wall# of a #detached# or #semi-detached# #single-# or #two-family residence#;
- (c) Elevator or stair bulkheads (including shafts; and vestibules not larger than 60 square feet in area providing access to a roof), roof water tanks, #energy infrastructure equipment#, and #accessory# mechanical equipment (including enclosures), other than solar or wind energy systems (whether #accessory# or as part of #energy infrastructure equipment#), provided that:
 - (1) such obstructions shall be located not less than 10 feet from the #street wall# of a #building#, except that such obstructions need not be set back more than 25 feet from a #narrow# #street line# or more than 20 feet from a #wide# #street line#. However, such restrictions on location shall not apply to elevator or stair bulkheads (including shafts or vestibules), provided the #aggregate width of street walls# of such bulkheads within 10 feet of a #street wall#, facing each #street# frontage, does not exceed 30 percent of the #street wall# width of the #building# facing such frontage;
 - (2) the aggregate area of such obstructions, including any required screening, does not exceed 50 percent of the #lot coverage# of the #building#;
 - (3) the height of obstructions within an aggregate area equivalent to at least 20 percent of the #lot coverage# of the #building# shall not exceed 15 feet above the maximum permitted height; and

- (4) the height of obstructions within the remaining #lot coverage#, not to exceed 30 percent of the #building# shall not exceed:
 - (i) in R3-2, R4, and R5 Districts, except R4-1, R4A, R4B and R5A Districts, a height of 25 feet above the maximum permitted height;
 - (ii) in R6 through R10 Districts:
 - (i) where the maximum permitted height of a #building# is 120 feet or lower, a height of 35 feet above the maximum permitted height; and
 - (ii) where the maximum permitted height of a #building# is greater than 120 feet, a height of 55 feet above the maximum permitted height; and
- (5) all equipment shall be subject to the applicable provisions of Section 26-60 (SPECIAL SCREENING AND ENCLOSURE PROVISIONS);
- (d) Wind energy systems, #accessory# or as part of an #energy infrastructure equipment#, on portions of #buildings# with a height of 100 feet or greater, provided:
 - (1) the highest point of the wind turbine assembly does not exceed 55 feet;
 - (2) no portion of the wind turbine assembly is closer than 10 feet to any #lot line#; and
 - (3) the diameter of the swept area of the rotor does not exceed 15 feet;

23-621

23-623

Permitted obstructions in certain districts

R2A R2X R3 R4 R4-1 R4A R5A

- (a) In the districts indicated, permitted obstructions are limited to chimneys, #qualifying exterior wall thickness#, flag poles or aerials, parapet walls, roof thickness, skylights, solar energy systems and vegetated roofs pursuant to Section 23-621. However, in R3-2 and R4 Districts, except R4-1, R4A and R4B Districts, elevator or stair bulkheads, roof water tanks, #energy infrastructure equipment# and #accessory# mechanical equipment ~~provided pursuant to paragraph (g) of~~

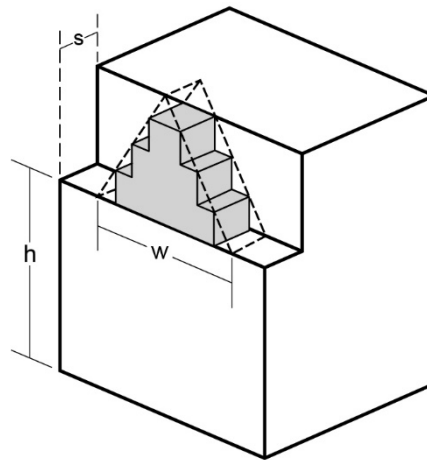
Honorable Dan Garodnick, Chair
Application No. N 230113 ZRY
November 20, 2023
Page 43 of 192

~~Section 23-62 shall additionally be permitted for #buildings# containing #affordable independent residences for seniors#.~~

- (b) In R2X Districts, dormers may be considered permitted obstructions if:
- (1) the aggregate width of dormers facing the #street line# is equal to not more than 50 percent of the width of the #street wall line#;
 - (2) the aggregate width of dormers facing the #rear lot line# is equal to not more than 50 percent of the width of the #rear wall line#;
 - (3) the aggregate width of dormers facing a #side lot line# is equal to not more than 50 percent of the width of a straight line connecting and perpendicular to the #street wall line# and the #rear wall line#; and
 - (4) on a #corner lot#, the aggregate width of dormers facing a #side lot line# is equal to not more than 50 percent of the width of the #rear wall line# facing such #side lot line#.

R6 R7 R8 R9 R10

- (c) In the districts indicated, for #Quality Housing buildings#, ~~the permitted obstructions set forth in Section 23-62 shall apply to any #building or other structure#, except that~~ within a required front setback distance above a maximum base height, the following rules shall apply:
- (1) Dormers shall be allowed as a permitted obstruction, provided that on any #street# frontage, the aggregate width of all dormers at the maximum base height does not exceed 60 percent of the width of the #street wall# of the highest #story# entirely below the maximum base height. For each foot above the maximum base height, the aggregate width of all dormers shall be decreased by one percent of the #street wall# width of the highest #story# entirely below the maximum base height.



- h - Maximum base height
 - s - Required setback or *initial setback distance*
 - w - Maximum width of dormer at maximum base height (60% of *street wall* width of highest story entirely below maximum base height)
- Dormer

- (2) Solar energy systems on a roof shall be limited to four feet or less in height, as measured from the maximum height limit, or the finished level of the roof, whichever is higher. However, on a roof with a slope greater than 20 degrees, such systems shall be limited to 18 inches in height as measured perpendicular to the roof surface.
- (3) Wind energy systems shall not be allowed as permitted obstructions.
- (4) Window washing equipment shall not be allowed as permitted obstructions.

* * *

23-663 Tower regulations in R9D and R10X districts

R9D R10X

In the districts indicated, any #Quality Housing building# #or other structure#, or portions thereof, which in the aggregate occupies not more than 40 percent of the #lot area# of a #zoning lot# (or, for #zoning lots# of less than 20,000 square feet, the percentage set forth in the table in Section 23-651), above a height of 85 feet above the #base plane#, is hereinafter referred to as a tower. Dormers permitted within a required setback area pursuant to Section ~~23-621~~ 23-623 (Permitted obstructions in certain districts) shall not be counted towards tower coverage. Such tower may exceed a height limit of 85 feet above the #base plane# provided the base of such tower complies with the applicable #street# location and height and

setback provisions of Sections 23-661 and 23-662, respectively, and provided that the tower portion complies with the following, as applicable:

* * *

23-711
Standard minimum distance between buildings

R1 R2 R3 R4 R5 R6 R7 R8 R9 R10

* * *

In addition, the following rules shall apply:

- (f) in R1, R2, R3, R4A and R4-1 Districts within #lower density growth management areas#, the provisions of this paragraph, (f), shall apply to any #zoning lot# with two or more #buildings# where at least 75 percent of the #floor area# of one #building# is located beyond 50 feet of a #street line# and the #private road# provisions do not apply. For the purposes of this paragraph, any #building# containing #residences# with no #building# containing #residences# located between it and the #street line# so that lines drawn perpendicular to the #street line# do not intersect any other #building# containing #residences# shall be considered a “front building,” and any #building# containing #residences# with at least 75 percent of its #floor
- (g) ~~for #buildings# existing on April 30, 2012, the minimum distances set forth in the table in this Section, and any #non-complying# distance greater than eight feet, may be reduced by up to eight inches of exterior wall thickness, provided the added wall thickness has a thermal resistance (R-value) of at least 1.5 per inch. A #non-complying# distance of eight feet or less shall be limited to a total reduction of one inch of wall thickness for each foot of such existing distance between buildings.~~

The obstructions permitted for any #yard# set forth in paragraph (a) of Section 23-441 (General permitted obstruction allowances), shall be permitted in such minimum distance.

* * *

23-80
COURT REGULATIONS, MINIMUM DISTANCE BETWEEN WINDOWS AND WALLS OR LOT LINES AND OPEN AREA REQUIREMENTS

* * *

23-861
General provisions

R1 R2 R3 R4 R5 R6 R7 R8 R9 R10

In all districts, as indicated, except as otherwise provided in Section 23-862 (Minimum distance between legally required windows and lot lines on small corner lots in R9 or R10 Districts) or Section 23-863 (Minimum distance between legally required windows and any wall in an inner court), the minimum distance between a #legally required window# and:

- (a) any wall;
- (b) a #rear lot line#, or vertical projection thereof; or
- (c) a #side lot line#, or vertical projection thereof;

shall be 30 feet, measured in a horizontal plane at the sill level of, and perpendicular to, such window for the full width of the rough window opening; provided, however, that a #legally required window# may open on any #outer court# meeting the requirements of Section 23-84 (Outer Court Regulations), except for small #outer courts# in R6 through R10 Districts, the provisions for which are set forth in paragraph (b) of Section 23-841 (Narrow outer courts).

The obstructions permitted for any #yard# set forth in paragraph (a) of Section 23-441 (General permitted obstruction allowances), shall be permitted in such minimum distance.

However, for shallow #interior lots# in R6 through R10 Districts, the minimum distance between a #legally required window# and a #rear lot line#, or vertical projection thereof, may be reduced to equal the #rear yard# depth required pursuant to the provisions of Section 23-52 (Special Provisions for Shallow Interior Lots). However, in no event shall such minimum distance between a #legally required window# and a #rear lot line#, or vertical projection thereof, be less than 20 feet.

In R3, R4 and R5 Districts, the minimum dimension between a #legally required window# and a #side lot line# shall be 15 feet. Such 15 foot dimension shall be measured in a horizontal plane perpendicular to the #side lot line# or vertical projection thereof. Furthermore, such area with a 15 foot dimension shall be open to the sky from ground level up for the entire length of the #side lot line#. Only #accessory# mechanical equipment limited in depth to 18 inches from an exterior wall ~~air conditioning condensation units~~, chimneys, downspouts, eaves, ~~exterior wall thickness~~ #qualifying exterior wall thickness#, gutters, open #accessory# off-street parking spaces, ramps for access by the handicapped, and steps shall be permitted obstructions in such open area, subject to the conditions set forth in ~~paragraph (a) of~~ Section 23-44 (Permitted Obstructions in Required Yards or Rear Yard Equivalents), ~~and provided that such obstructions, not including #qualifying exterior wall thickness# and #accessory# mechanical equipment,~~ will not reduce the minimum width of the open area by more than three feet.

* * *

23-862
Minimum distance between legally required windows and lot lines on small corner lots in R9 or

R10 Districts

R9 R10

In the districts indicated, on a #corner lot# less than 10,000 square feet in #lot area#, a #legally required window# may open on a #yard# bounded on one side by a #front lot line# and having a minimum width of 20 feet, provided that the provisions of Section 23-44 (Permitted Obstructions in Required Yards or Rear Yard Equivalents) shall not apply to such #yard#. However, #accessory# mechanical equipment limited in depth to 18 inches from an exterior wall, awnings and other sun control devices, exterior wall thickness #qualifying exterior wall thickness#, and solar energy systems on walls, as set forth in Section 23-44 (Permitted Obstructions in Required Yards or Rear Yard Equivalents), shall be permitted within such minimum distance.

* * *

23-87

Permitted Obstructions in Courts

R1 R2 R3 R4 R5 R6 R7 R8 R9 R10

In all districts, as indicated, the obstructions permitted for any #yard# set forth in paragraph (a) of Section 23-441 (General permitted obstruction allowances), as well as the following obstructions, shall be permitted within the minimum area and dimensions needed to satisfy the requirements for a #court#. For the purposes of applying such allowances to #courts#, all percentage calculations shall be applied to the area of the #court# instead of the #yard#:

- (a) ~~Arbors or trellises;~~
- (b) ~~Awnings and other sun control devices. However, when located at a level higher than the first #story#, excluding a #basement#, all such devices:~~
 - (1) ~~shall be limited to a maximum projection from a #building# wall of 2 feet, 6 inches; and~~
 - (2) ~~shall have solid surfaces that, in aggregate, cover an area no more than 30 percent of the area of the #building# wall (as viewed in elevation) from which they project;~~
- (c) ~~Eaves, gutters, downspouts, window sills, or similar projections extending into such #court# not more than four inches;~~
- (d) ~~Exterior wall thickness, where such wall thickness is added to the exterior face of a #building# wall existing on April 30, 2012, provided the added wall thickness has a thermal resistance (R-value) of at least 1.5 per inch, and is limited to one inch of thickness for every foot of existing #court# width, up to a maximum thickness of eight inches;~~

~~Where #buildings# that have added exterior wall thickness pursuant to this Section are #enlarged#, such #enlarged# portion may similarly encroach upon required #courts# in order to~~

~~align with the exterior walls of the existing #building#, provided such #enlargement# contains less #floor area# than the existing #building#, and there is no encroachment of #floor area# into a required #court#;~~

~~(e)(a)~~ Fences;

~~(f)(b)~~ Fire escapes in #outer courts#;

~~Fire escapes in #outer court recesses# not more than five feet in depth;~~

~~Fire escapes in #inner courts# where such fire escapes are required as a result of alterations in #buildings# existing before December 15, 1961;~~

~~Fire escapes in #outer court recesses# more than five feet in depth where such fire escapes are required as a result of alterations in #buildings# existing before December 15, 1961;~~

~~(g)~~ Flagpoles;

~~(h)(c)~~ Open terraces, porches, steps, ramps or lifts for people with physical disabilities;

~~(i)(d)~~ #Energy infrastructure equipment# and #accessory# mechanical equipment, subject to the requirements set forth in Section 23-442;

[MOVING SCREENING PROVISIONS TO SECTION 26-60]

~~#Accessory# power systems, including, but not limited to, generators, solar energy systems, fuel cells, batteries and other energy storage systems, provided that:~~

~~(1)~~ all equipment shall be subject to the following location, enclosure, and screening requirements, as applicable:

~~(i)~~ all generators and cogeneration equipment #accessory# to #buildings# other than #single # or #two family residences# shall be completely enclosed within a #building or other structure#, except as necessary for mechanical ventilation;

~~(ii)~~ all other types of equipment, including generators and cogeneration equipment serving #single # or #two family residences#, may be unenclosed, provided that such equipment is located at least five feet from any #lot line#. However, if the area bounding all such equipment, as drawn by a rectangle from its outermost perimeter in plan view, exceeds 25 square feet, such equipment shall be screened in its entirety on all sides. Such screening may be opaque or perforated, provided that where perforated materials are provided, not more than 50 percent of the face is open;

~~(iii)~~ where any equipment is located between a #street wall#, or prolongation thereof, and a #street line#, the entire width of such portion of the equipment facing a #street#, whether open or enclosed, shall be fully screened by vegetation; and

- (2) ~~the size of all equipment, including any screening or portions of any #building or other structure# enclosing such equipment, shall not exceed:~~
 - (i) ~~an area equivalent to 25 percent of any #court# containing #legally required windows#;~~
 - (ii) ~~in R1 through R5 Districts, a height of 10 feet above the lowest level of such #court#; and~~
 - (iii) ~~in R6 through R10 Districts, a height of 15 feet above the lowest level of such #court#.~~

~~(j)(e)~~ Recreational or drying yard equipment;

~~(k)~~ Solar energy systems on walls existing on April 30, 2012, projecting no more than 10 inches and occupying no more than 20 percent of the surface area of the #building# wall (as viewed in elevation) from which it projects.

In addition, for #courts# at a level higher than the first #story#, decks, skylights, parapet walls, roof thickness, solar energy systems up to four feet high, vegetated roofs, and weirs, as set forth in Section 23-62 (Permitted Obstructions), shall be permitted.

* * *

Chapter 4 Bulk Regulations for Community Facilities in Residence Districts

* * *

24-30 YARD REGULATIONS

* * *

24-33 Permitted Obstructions in Required Yards or Rear Yard Equivalents

In all #Residence Districts#, the obstructions set forth in Section 23-441 (General permitted obstruction allowances), as well as the following obstructions, shall be permitted when located within a required #yard# or #rear yard equivalent#:

- (a) In any #yard# or #rear yard equivalent#:
 - (1) ~~Arbors or trellises;~~

- (2) ~~Awnings and other sun control devices, provided that when located at a level higher than the first #story#, excluding a #basement#, all such awnings and other sun control devices:~~
- ~~(i) shall be limited to a maximum projection of 2 feet, 6 inches into such required #yard#; and~~
 - ~~(ii) shall have solid surfaces that, in aggregate, cover an area no more than 30 percent of the area of the #building# wall (as viewed in elevation) from which they project;~~
- (3) ~~Canopies;~~
- (4) ~~Chimneys, projecting not more than three feet into, and not exceeding two percent of the area of, the required #yard# or #rear yard equivalent#;~~
- (5) ~~Eaves, gutters or downspouts, projecting into such #yard# or #rear yard equivalent# not more than 16 inches or 20 percent of the width of such #yard# or #rear yard equivalent#, whichever is the lesser distance;~~
- (6) ~~Exterior wall thickness, where such wall thickness is added to the exterior face of a #building# wall existing on April 30, 2012, provided the added wall thickness has a thermal resistance (R value) of at least 1.5 per inch, and is limited to one inch of thickness for every foot of existing #yard# width, up to a maximum thickness of eight inches. When an open area is provided along a common #lot line#, then such exterior wall thickness is limited to one inch for every foot of existing open area on the #zoning lot#;~~
- ~~Where #buildings# that have added exterior wall thickness pursuant to this Section are #enlarged#, such #enlarged# portion may similarly encroach upon required #yards# in order to align with the exterior walls of the existing #building#, provided such #enlargement# contains less #floor area# than the existing #building#, and there is no encroachment of #floor area# into a required #yard#;~~
- ~~(7)(1) Fences;~~
- (8) ~~Flagpoles;~~
- ~~(9)(2) Parking spaces for automobiles or bicycles, off-street, open, #accessory#;~~
- (3) #Energy infrastructure equipment# and #accessory# mechanical equipment, subject to the requirements set forth in Section 23-442 (Additional permitted obstructions);
- (10) ~~#Accessory# power systems, including, but not limited to, generators, solar energy systems, fuel cells, batteries and other energy storage systems, provided that:~~
- ~~(i) all equipment shall be subject to the following location, enclosure, and screening requirements, as applicable:~~

- (a) — all generators and cogeneration equipment shall be completely enclosed within a #building or other structure#, except as necessary for mechanical ventilation;
- (b) — all other types of equipment may be unenclosed, provided that such equipment is located at least five feet from any #lot line#. However, if the area bounding all such equipment, as drawn by a rectangle from its outermost perimeter in plan view, exceeds 25 square feet, the entirety of such equipment shall be screened on all sides. Such screening may be opaque or perforated, provided that where perforated materials are provided, not more than 50 percent of the face is open;
- (c) — where any equipment is located in a #front yard#, the entire width of such portion of the equipment facing a #street#, whether open or enclosed, shall be fully screened by vegetation; and
- (ii) — the size of all equipment, including any screening or portions of any #building or other structure# enclosing such equipment, shall not exceed:
 - (a) — an area equivalent to 25 percent of a required #yard#, or #rear yard equivalent#, and in addition, in #front yards#, is limited to an area not exceeding 25 square feet. However, for #corner lots#, one #front yard# may be treated as a #side yard# for the purpose of applying such size restrictions;
 - (b) — in R1 through R5 Districts, a height of 10 feet above the adjoining grade in #rear yards#, #rear yard equivalents# and #side yards#, or a height of five feet above the adjoining grade in #front yards#; and
 - (c) — in R6 through R10 Districts, a height of 15 feet above the adjoining grade;
- (11) Solar energy systems, on walls existing on April 30, 2012, projecting no more than 10 inches and occupying no more than 20 percent of the surface area of the #building# wall (as viewed in elevation) from which it projects;
- (12)(4) Steps, and ramps or lifts for people with physical disabilities;
- (13) Terraces or porches, open;
- (14)(5) Walls, not exceeding eight feet in height and not roofed or part of a #building#.
- (b) In any #rear yard# or #rear yard equivalent#:
 - (1) Balconies, unenclosed, subject to the provisions of Section 24-165 24-166;

- (2) Breezeways;
- (3)(2) Any #building# or portion of a #building# used for #community facility# #uses#, including #accessory# parking spaces for bicycles within such #building#, provided that the height of such #building# shall not exceed one #story#, nor in any event 23 feet above #curb level#, and further provided that the area within such #building# dedicated to #accessory# parking spaces for bicycles shall not exceed the area permitted to be excluded from #floor area#, pursuant to Section 25-85 (Floor Area Exemption). In addition, decks, parapet walls, roof thickness, skylights, vegetated roofs and weirs, pursuant to Section 24-51 (Permitted Obstructions), shall be permitted above such an #accessory building#, or portion thereof. However, the following shall not be permitted obstructions:
- (i) in all #Residence Districts#, any portion of a #building# containing rooms used for living or sleeping purposes, other than a room in a hospital used for the care or treatment of patients;
 - (ii) in R1, R2, R3-1, R3A, R3X, R4-1 R4A or R4B Districts, any portion of a #building# used for any #community facility# #use#;
 - (iii) in all #Residence Districts# not listed in paragraph (b)(3)(ii) of this Section, beyond 100 feet of a #wide street#, any portion of a #building# used for a #community facility# #use# other than a #school#, house of worship, college or university, or hospital and related facilities;
- (4) Fire escapes;
- (5) Greenhouses, #accessory#, non-commercial, limited to one #story# or 15 feet in height above natural grade level, whichever is less, and limited to an area not exceeding 25 percent of a required #rear yard# or #rear yard equivalent# on a #zoning lot#;
- (6) (3) Parking spaces, off-street, #accessory# to a #community facility# #use#, provided that the height of an #accessory building#, or portion of a #building# used for such purposes, shall not exceed 15 feet above #curb level#. However, such #accessory building# or portion of a #building# shall not be a permitted obstruction in R1, R2, R3-1, R3A, R3X, R4-1, R4A or R4B Districts;
- (7) Recreation or drying yard equipment;
- (8) Sheds, tool rooms or other similar #accessory buildings or other structures# for domestic or agricultural storage, with a height not exceeding 10 feet above the level of the #rear yard# or #rear yard equivalent#;
- (9) Solar energy systems on the roof of a #building# permitted as an obstruction to such #yard#, up to four feet in height as measured perpendicular to the roof surface when located above a permitted #community facility# #use# or attached parking structure; however, limited to 18 inches in height as measured perpendicular to the roof surface

~~when located above a shed or detached parking structure, or on any roof with a slope greater than 20 degrees;~~

- (10) ~~Water conserving devices required in connection with air conditioning or refrigeration systems in #buildings# existing prior to May 20, 1966, if located not less than eight feet from any #lot line#.~~

However, no portion of a #rear yard equivalent# which is also a required #front yard# or required #side yard# may contain any obstructions not permitted in such #front yard# or #side yard#.

* * *

24-35 Minimum Required Side Yards

R1 R2 R3 R4 R5

- (a) In the districts indicated, if a #building# containing a #community facility# #use# has an #aggregate width of street walls# equal to 80 feet or less or, for #abutting# #buildings#, if the combined #aggregate width of street walls# of all such #abutting# #buildings# on a #zoning lot# is equal to 80 feet or less, then two #side yards# shall be provided, each with a minimum required width of eight feet. If such #building# or #buildings# have an #aggregate width of street walls# equal to more than 80 feet, two #side yards# shall be provided, each equal to not less than 10 percent of the #aggregate width of street walls#. The provisions of this paragraph (a) shall not apply in R5D Districts. In lieu thereof, the #side yard# regulations set forth in Sections 23-461 and 23-462, as applicable, shall apply.

R6 R7 R8 R9 R10

- (b) In the districts indicated, no #side yards# are required. However, if any open area extending along a #side lot line# is provided at any level, it shall be at least eight feet wide. ~~Permitted obstructions pursuant to paragraph (a) of~~ The allowances for permitted obstructions in any #yard# or #rear yard equivalent# set forth in Section 24-33 (Permitted Obstructions in Required Yards or Rear Yard Equivalents) shall be permitted in such open areas.

* * *

24-50 HEIGHT AND SETBACK REGULATIONS

* * *

24-51 Permitted Obstructions

In all #Residence Districts#, the obstructions set forth in Section 23-621 (General permitted obstruction allowances), as well as the following obstructions, shall be permitted and may thus penetrate a maximum

Honorable Dan Garodnick, Chair
Application No. N 230113 ZRY
November 20, 2023
Page 54 of 192

height limit or #sky exposure plane# set forth in Sections 24-52 (Maximum Height of Walls and Required Setbacks), 24-53 (Alternate Front Setbacks) or 24-591 (Limited Height Districts):

[REPETITIVE OBSTRUCTIONS BEING ELIMINATED
AND REFERENCE MADE TO ONE GLOBAL REFERENCE]

- (a) ~~Awnings and other sun control devices, provided that when located at a level higher than the first #story#, excluding a #basement#, all such awnings and other sun control devices:~~
- ~~(1) shall be limited to a maximum projection from a #building# wall of 2 feet, 6 inches, except when located on the first #story# above a setback;~~
 - ~~(2) shall have solid surfaces that, in aggregate, cover an area no more than 30 percent of the area of the #building# wall (as viewed in elevation) from which they project; and~~
 - ~~(3) may rise above the permitted #building# height, up to the height of a parapet wall or guardrail permitted in accordance with Section 23-62 (Permitted Obstructions);~~

~~When located on the first #story# above a setback, awnings and other sun control devices shall be limited to a projection of 50 percent of the depth of the required setback, and shall be limited, in total, to 50 percent of the width of the #building# wall from which they project;~~

- ~~(b) (a) Balconies, unenclosed, subject to the provisions of Section 24-166;~~
- ~~(c) #Building# columns, having an aggregate width equal to not more than 20 percent of the #aggregate width of street walls# of a #building#, to a depth not exceeding 12 inches, in an #initial setback distance#, optional front open area, or any other required setback distance or open area set forth in Sections 24-52, 24-53 or 24-54 (Tower Regulations);~~
- ~~(d) Chimneys or flues, with a total width not exceeding 10 percent of the #aggregate width of street walls# of a #building# at any level;~~
- ~~(e) Decks, and other surfaces for recreational activities, not more than 3 feet, 6 inches in height, as measured from the maximum height limit, or the finished level of the roof as it existed on April 30, 2012, whichever is higher;~~
- ~~(f) Elevator or stair bulkheads (including shafts; and vestibules not larger than 60 square feet in area providing access to a roof), roof water tanks and #accessory# mechanical equipment (including enclosures), other than solar or wind energy systems, provided that:~~
- ~~(1) such obstructions shall be located not less than 10 feet from the #street wall# of a #building#, except that such obstructions need not be set back more than 25 feet from a #narrow street line# or more than 20 feet from a #wide street line#. However, such restrictions on location shall not apply to elevator or stair bulkheads (including shafts or vestibules), provided the #aggregate width of street walls# of such bulkheads within 10 feet of a #street wall#, facing each #street# frontage, times their average height, in feet,~~

does not exceed an area equal to four feet times the width, in feet, of the #street wall# of the #building# facing such frontage;

- (2) all mechanical equipment shall be screened on all sides;
- (3) such obstructions and screening are contained within a volume that complies with one of the following:
 - (i) the product, in square feet, of the #aggregate width of street walls# of such obstructions facing each #street# frontage, times their average height, shall not exceed an area equal to eight feet times the width, in feet, of the #street wall# of the #building# facing such frontage; or
 - (ii) the #lot coverage# of all such obstructions does not exceed 20 percent of the #lot coverage# of the #building#, and where the maximum permitted height of a #building# is less than 120 feet, such obstructions are limited to a maximum height of 25 feet, and where the maximum permitted height of a #building# is 120 feet or greater, such obstructions are limited to a maximum height of 40 feet.

For the purposes of this paragraph (f), #abutting# #buildings# on a single #zoning lot# may be considered to be a single #building#;

(b) Elevator or stair bulkheads (including shafts; and vestibules not larger than 60 square feet in area providing access to a roof), roof water tanks, #energy infrastructure equipment#, and #accessory# mechanical equipment (including enclosures), other than solar or wind energy systems (whether #accessory# or as part of #energy infrastructure equipment#), provided that:

- (1) such obstructions shall be located not less than 10 feet from the #street wall# of a #building#, except that such obstructions need not be set back more than 25 feet from a #narrow# #street line# or more than 20 feet from a #wide# #street line#. However, such restrictions on location shall not apply to elevator or stair bulkheads (including shafts or vestibules), provided the #aggregate width of street walls# of such bulkheads within 10 feet of a #street wall#, facing each #street# frontage, does not exceed 30 percent of the #street wall# width of the #building# facing such frontage;
- (2) the aggregate area of such obstructions, including any required screening, does not exceed 50 percent of the #lot coverage# of the #building#;
- (3) the height of obstructions within an aggregate area equivalent to at least 20 percent of the #lot coverage# of the #building# shall not exceed 15 feet above the maximum permitted height;

- (4) the height of obstructions within the remaining #lot coverage#, not to exceed 30 percent of the #building# shall not exceed:
- (i) where the maximum permitted height of a #building# is 120 feet or lower, a height of 35 feet above the maximum permitted height;
- (ii) where the maximum permitted height of a #building# is greater than 120 feet, a height of 55 feet above the maximum permitted height; and
- (5) all equipment shall be subject to the applicable provisions of Section 26-60 (SPECIAL SCREENING AND ENCLOSURE PROVISIONS);
- ~~(g) Exterior wall thickness, up to eight inches, where such wall thickness is added to the exterior face of a #building# wall existing on April 30, 2012, provided the added wall thickness has a thermal resistance (R value) of at least 1.5 per inch. Where #buildings# that have added exterior wall thickness pursuant to this Section are #enlarged#, such #enlarged# portion may similarly penetrate a maximum height limit in order to align with the exterior walls of the existing #building#, provided such #enlargement# contains less #floor area# than the existing #building#, and there is no penetration of #floor area# above a maximum height limit;~~
- (h) ~~Flagpoles or aerials;~~
- ~~(i)(c) House of worship towers, ornamental, having no #floor area# in portion of tower penetrating such height limit or #sky exposure plane#;~~
- (j) ~~Parapet walls, not more than four feet in height, as measured from the maximum height limit, or the finished level of the roof as it existed on April 30, 2012, whichever is higher. A guardrail with a surface at least 70 percent open or with an opacity of not more than 30 percent (as viewed in elevation), shall be permitted above a parapet wall or within two feet of a parapet wall, provided such guardrail is not more than four feet above the accessible level of a roof. Such restriction on guardrail height shall not apply when located beyond two feet from a parapet wall;~~
- (k) ~~Roof thickness, up to eight inches, to accommodate the addition of insulation, for #buildings# or portions of #buildings# constructed prior to April 30, 2012. For a #building# that has added roof thickness pursuant to this paragraph, (k), an #enlargement# may align with the finished roof surface of such #building#, provided the #enlarged# portion does not exceed the maximum height limit by more than eight inches;~~
- ~~(l)(d) #Qualifying R#rooftop greenhouses#, up to 25 feet in height, provided that such obstruction shall be located not less than six feet from the #street wall# of the #building#; , permitted pursuant to Section 75-01 (Certification for Rooftop Greenhouses);~~
- (m) ~~Skylights, clerestories or other daylighting devices, not more than four feet in height, as measured from the maximum height limit, or the finished level of the roof as it existed on April 30, 2012, whichever is higher. Such devices shall be limited to a #lot coverage# not greater than 10 percent~~

Honorable Dan Garodnick, Chair
Application No. N 230113 ZRY
November 20, 2023
Page 57 of 192

of the #lot coverage# of the roof and be located at least eight feet from the #street wall# edge. However, such devices shall not be permitted obstructions above a roof with a slope greater than 20 degrees;

(n) Solar energy systems:

(1) on the roof of a #building#, up to four feet in height, as measured from the maximum height limit, or the finished level of the roof, whichever is higher;

(2) on the roof of a #building#, greater than four feet in height, as measured from the maximum height limit, or the finished level of the roof, whichever is higher, provided that all such portions above four feet are set back at least six feet from a #street wall#, limited to a #lot coverage# not greater than 25 percent of the #lot coverage# of the roof and do not exceed:

(i) in R1 through R5 Districts, a height of six feet;

(ii) in R6 through R10 Districts, a height of 15 feet; and

(iii) when located on a bulkhead or other obstruction pursuant to paragraph (f) of this Section, a height of six feet;

(3) on walls existing on April 30, 2012, projecting no more than 10 inches and occupying no more than 20 percent of the surface area of the #building# wall (as viewed in elevation) from which it projects;

However, any installation on a roof with a slope greater than 20 degrees shall be limited to 18 inches in height, as measured perpendicular to the roof surface;

~~(e)~~(c) Spires or belfries;

~~(p)~~ Vegetated roofs, not more than 3 feet, 6 inches in height, excluding vegetation, as measured from the maximum height limit, or the finished level of the roof as it existed on April 30, 2012, whichever is higher. On roofs with slopes greater than 20 degrees, vegetated roofs shall be limited to a height of 12 inches measured perpendicular to such roof surface;

(q) Weirs, check dams and other equipment for stormwater management, not more than 3 feet, 6 inches in height, as measured from the maximum height limit, or the finished level of the roof as it existed on April 30, 2012, whichever is higher;

~~(f)~~(f) Wind energy systems, #accessory# or as part of #energy infrastructure equipment#, on portions of #buildings# with a height of 100 feet or greater, provided:

(1) the highest point of the wind turbine assembly does not exceed 55 feet;

(2) no portion of the wind turbine assembly is closer than 10 feet to any #lot line#; and

- (3) the diameter of the swept area of the rotor does not exceed 15 feet;
- (s) ~~Window washing equipment mounted on a roof;~~
- (t) ~~Wire, chain link or other transparent fences.~~

* * *

**24-55
Required Side and Rear Setbacks**

R1 R2 R3 R4 R5 R6 R7 R8 R9 R10

In all districts, as indicated, side and rear setbacks shall be provided as specified in this Section. Unenclosed balconies, subject to the provisions of Section 24-166 (Balconies); and awnings and other sun control devices, decks, ~~exterior wall thickness~~ qualifying exterior wall thickness, parapet walls, roof thickness, solar energy systems up to four feet high, vegetated roofs, and weirs, as set forth in Section 24-51 (Permitted Obstructions), are permitted to project into or over any open areas required by the provisions of this Section.

* * *

**24-60
COURT REGULATIONS AND MINIMUM DISTANCE BETWEEN WINDOWS AND WALLS
OR LOT LINES**

* * *

**24-65
Minimum Distance Between Required Windows and Walls or Lot Lines**

R1 R2 R3 R4 R5 R6 R7 R8 R9 R10

In all districts, as indicated, the minimum distance between required windows and walls or ~~lot lines~~ shall be as set forth in this Section, except that this Section shall not apply to required windows in ~~buildings~~ of three ~~stories~~ or less. ~~For buildings existing on April 30, 2012, the minimum distances set forth in this Section, and any non-complying distance greater than eight feet, may be reduced by up to eight inches of exterior wall thickness from each building wall, provided the added wall thickness has a thermal resistance (R-value) of at least 1.5 per inch. A non-complying distance of eight feet or less shall be limited to a total reduction of one inch of wall thickness for each foot of such existing distance between buildings.~~

* * *

24-68
Permitted Obstructions in Courts

R1 R2 R3 R4 R5 R6 R7 R8 R9 R10

In all districts, as indicated, the obstructions permitted for any #yard# set forth in paragraph (a) of Section 23-441 (General permitted obstruction allowances), as well as the following, shall not be considered obstructions when located within a #court#. For the purposes of applying such allowances to #courts#, all percentage calculations shall be applied to the area of the #court# instead of the #yard# :

- (a) ~~Arbors or trellises;~~
- (b) ~~Awnings and other sun control devices. However, when located at a level higher than the first #story#, excluding a #basement#, all such devices:~~
 - (1) ~~shall be limited to a maximum projection from a #building# wall of 2 feet, 6 inches; and~~
 - (2) ~~shall have solid surfaces that, in aggregate, cover an area no more than 30 percent of the area of the #building# wall (as viewed in elevation) from which they project;~~
- (c) ~~Eaves, gutters, downspouts, window sills or similar projections, extending into such #court# not more than four inches;~~
- (d) ~~Exterior wall thickness, where such wall thickness is added to the exterior face of a #building# wall existing on April 30, 2012, provided the added wall thickness has a thermal resistance (R-value) of at least 1.5 per inch, and is limited to one inch of thickness for every foot of existing #court# width, up to a maximum thickness of eight inches;~~

~~Where #buildings# that have added exterior wall thickness pursuant to this Section are #enlarged#, such #enlarged# portion may similarly encroach upon required #courts# in order to align with the exterior walls of the existing #building#, provided such #enlargement# contains less #floor area# than the existing #building#, and there is no encroachment of #floor area# into a required #court#;~~

- ~~(e)(a) Fences;~~
- ~~(f)(b) Fire escapes in #inner courts#, where such fire escapes are required as a result of alterations in #buildings# existing before December 15, 1961;~~
 - ~~Fire escapes in #outer courts#;~~
 - ~~Fire escapes in #outer court recesses#, not more than five feet in depth;~~
 - ~~Fire escapes in #outer court recesses#, more than five feet in depth, where such fire escapes are required as a result of alterations in #buildings# existing before December 15, 1961;~~

- ~~(g) Flagpoles;~~

- (c) ~~#Energy infrastructure equipment# and #accessory# mechanical equipment, subject to the requirements set forth in Section 23-442;~~

[MOVING SCREENING PROVISIONS TO SECTION 26-60]

- (h) ~~#Accessory# power systems, including, but not limited to, generators, solar energy systems, fuel cells, batteries and other energy storage systems, provided that:~~

- (1) ~~all equipment shall be subject to the following location, enclosure, and screening requirements, as applicable:~~

- (i) ~~all generators and cogeneration equipment shall be completely enclosed within a #building or other structure#, except as necessary for mechanical ventilation;~~
- (ii) ~~all other types of equipment may be unenclosed, provided that such equipment is located at least five feet from any #lot line#. However, if the area bounding all such equipment, as drawn by a rectangle from its outermost perimeter in plan view, exceeds 25 square feet, the entirety of such equipment shall be screened on all sides. Such screening may be opaque or perforated, provided that where perforated materials are provided, not more than 50 percent of the face is open; and~~
- (iii) ~~where any equipment at the ground floor level is located between a #street wall#, or prolongation thereof, and a #street line#, the entire width of such portion of the equipment facing a #street#, whether open or enclosed, shall be fully screened by vegetation; and~~

- (2) ~~the size of all equipment, including any screening or portions of any #building or other structure# enclosing such equipment, shall not exceed:~~

- (i) ~~an area equivalent to 25 percent of any #court# containing #legally required windows#;~~
- (ii) ~~in R1 through R5 Districts, a height of 10 feet above the lowest level of such #court#; and~~
- (iii) ~~in R6 through R10 Districts, a height of 15 feet above the lowest level of such #court#;~~

- (i)(d) Recreational or yard drying equipment;

- (j)(e) Steps, and ramps or lifts for people with physical disabilities;

- (k) ~~Solar energy systems on walls existing on April 30, 2012, projecting no more than 10 inches and occupying no more than 20 percent of the surface area of the #building# wall (as viewed in elevation) from which it projects;~~
- (l) ~~Terraces, open, porches or steps.~~

In addition, for #courts# at a level higher than the first #story#, decks, skylights, parapet walls, roof thickness, solar energy systems up to four feet high, vegetated roofs, and weirs, as set forth in Section 24-51 (Permitted Obstructions), shall be permitted.

* * *

Chapter 5
Accessory Off-street Parking and Loading Regulations

* * *

25-40
RESTRICTIONS ON OPERATION OF ACCESSORY OFF-STREET PARKING SPACES

25-41
Purpose of Spaces and Rental to Non-Residents

R1 R2 R3 R4 R5 R6 R7 R8 R9 R10

In all districts, as indicated, all permitted or required off-street parking spaces, open or enclosed, which are #accessory# to #residences# shall comply with the provisions of this Section.

25-411
In R1 or R2 Districts

R1 R2

In the districts indicated, such spaces shall be designed and operated exclusively for the long-term storage of the private passenger motor vehicles used by the occupants of such #residences#.

25-412
In all other Residence Districts

R3 R4 R5 R6 R7 R8 R9 R10

In the districts indicated, such spaces shall be designed and operated primarily for the long-term storage of the private passenger motor vehicles used by the occupants of such #residences#, except as set forth in this Section.

~~However, such spaces may be:~~

- (a) ~~#Accessory# off-street parking spaces may be rented~~ for periods of not less than one week and not more than one month to persons who are not occupants of the #residences# to which such spaces are #accessory# for the accommodation of the private passenger motor vehicles used by such non-residents, provided that such spaces are operated in accordance with the regulations promulgated by the Commissioner of Buildings, in a manner which will not adversely affect the residential character of the neighborhood; or
- (b) In R3-2 through R10 Districts, other than R4-1, R4A, R4B and R5A Districts, up to five spaces or 20 percent of all #accessory# off-street parking spaces, whichever is greater, may be allocated to publicly available electric vehicle charging facilities, or #car sharing vehicles#.

~~occupied by #car sharing vehicles#, provided that:~~

- (1) ~~in R3-2 and R4 Districts, except R4-1, R4A and R4B Districts, the number of spaces occupied by #car sharing vehicles# shall not exceed 10 percent of all spaces in a #group parking facility# that contains 20 or more spaces; and~~
- (2) ~~in R5, R6, R7, R8, R9 and R10 Districts, except R5A Districts, the number of spaces occupied by #car sharing vehicles# shall not exceed five spaces or 20 percent of all #accessory# off-street parking spaces, whichever is greater.~~

Such spaces provided pursuant to paragraphs (a) and (b) of this Section shall be made available to the occupants of the #residences# to which they are #accessory# within 30 days after written request is made to the landlord.

25-42

Use of Spaces Accessory to Permitted Non-Residential Uses

R1 R2 R3 R4 R5 R6 R7 R8 R9 R10

In all districts, as indicated, all permitted or required off-street parking spaces, open or enclosed, which are #accessory# to permitted non-#residential uses# shall be used only by occupants, visitors, customers or employees of such #uses# and shall not be rented, except as set forth in this Section.

- (a) ~~except as may be #Accessory# off-street parking spaces provided for houses of worship may be shared pursuant to Section 25-542 (Shared parking facilities for houses of worship).~~
- (b) ~~However, #car sharing vehicles# may occupy such spaces only pursuant to the provisions of paragraphs (a) and (b) of this Section.~~ In R3-2 through R10 Districts, other than other than R4-1, R4A, R4B and R5A Districts, up to five spaces or 20 percent of all #accessory# off-street parking spaces, whichever is greater, may be allocated to publicly available electric vehicle charging facilities, or #car sharing vehicles#.

R1 R2 R3 R4 R5A

- (a) ~~In the districts indicated, #car sharing vehicles# may occupy parking spaces #accessory# to a non-#residential use# in a #group parking facility# containing 20 spaces or more that is~~

~~#accessory# to a college or university #use# listed in Use Group 3; however, the number of spaces so occupied shall not exceed 10 percent of all parking spaces in such #group parking facility#.~~

R5 R5B R5D R6 R7 R8 R9 R10

~~(b) In the districts indicated, except R5A Districts, #car sharing vehicles# may occupy parking spaces #accessory# to a non #residential use# in a #group parking facility# containing 20 spaces or more; however, the number of spaces so occupied shall not exceed 10 percent of all parking spaces in such #group parking facility#.~~

**25-43
Restrictions on Automotive Repairs and Sale of Motor Fuel**

R1 R2 R3 R4 R5 R6 R7 R8 R9 R10

In all districts, as indicated, automotive repairs or the sale of motor fuel, motor oil or automotive accessories are not permitted, except as provided in this Section in specified districts.

**25-431
Limited repairs ~~or motor fuel sales~~ permitted in specified districts**

R3 R4 R5 R6 R7 R8 R9 R10

In the districts indicated, within a #completely enclosed# garage, #detached# from a #building# containing #residences# and containing not less than 150 #accessory# off-street parking spaces, minor automotive repairs (not including body work) are permitted, ~~and not more than three motor fuel pumps may be provided.~~ However, no motor fuel shall be sold to persons who are not using the parking spaces.

**25-44
Electric Vehicle Charging**

Electric vehicle charging facilities shall be permitted at all #accessory# off-street parking spaces. Such charging shall be for the owners, occupants, employees, customers, residents or visitors using such #accessory# parking spaces, except as otherwise permitted by the provisions of Section 25-412 (In all other Residence Districts) or 25-42 (Use of Spaces Accessory to Permitted Non-Residential Uses).

* * *

**25-60
ADDITIONAL REGULATIONS FOR PERMITTED OR REQUIRED ACCESSORY OFF-STREET PARKING SPACES**

* * *

**25-62
Size and Location of Spaces**

R1 R2 R3 R4 R5 R6 R7 R8 R9 R10

(a) Minimum maneuvering space

In all districts, as indicated, for all #accessory# off-street parking spaces, open or enclosed, each 300 square feet of unobstructed standing or maneuvering area shall be considered one parking space, except as follows:

(1) Standard attended facilities

~~However, an~~ An area of less than 300 square feet, but in no event less than 200 square feet, may be considered as one space, where the layout and design of the parking area are adequate to permit convenient access and maneuvering in accordance with regulations promulgated by the Commissioner of Buildings, or where the developer or applicant for a building permit or certificate of occupancy certifies that such spaces will be fully attended.

In any case where a reduction of the required area per parking space is permitted on the basis of the developer's certification that such spaces will be fully attended, it shall be set forth in the certificate of occupancy that paid attendants employed by the owners or operators of such spaces shall be available to handle the parking and moving of automobiles at all times when such spaces are in use.

(2) Attended facilities with parking lift systems

For portions of an attended parking facility with parking lift systems, each individually lifted tray upon which a vehicle is stored shall be considered one parking space. Any other attended space not on a lifted tray shall be subject to the provisions of paragraph (a)(1) of this Section.

(3) #Automated parking facilities#

For #automated parking facilities#, each tray upon which a vehicle is stored shall constitute one parking space. The term "tray" shall refer to the structural support for vehicle storage in both pallet and non-pallet vehicle storage systems.

However, auxiliary parking trays in #automated parking facilities# may be exempted from constituting a parking space where the Commissioner of Buildings determines that such auxiliary parking trays are necessary to store and retrieve vehicles for the efficient operation of such #automated parking facility#.

(b) Driveway access

Driveways used to access required parking spaces must be unobstructed for a width of at least eight feet and a height of eight feet above grade and, if connecting to a #street#, such driveway may only be accessed by a curb cut.

~~In any case where a reduction of the required area per parking space is permitted on the basis of the developer's certification that such spaces will be fully attended, it shall be set forth in the certificate of occupancy that paid attendants employed by the owners or operators of such spaces shall be available to handle the parking and moving of automobiles at all times when such spaces are in use.~~

(c) Minimum size for each parking space

In no event shall the dimensions of any parking stall be less than 18 feet long and 8 feet, 6 inches wide.

However, the width of a parking stall may be reduced to eight feet for #detached#, #semi-detached# or #zero lot line buildings# on a #zoning lot# where not more than four #accessory# parking spaces are required if such #accessory# parking spaces are located in a #side lot ribbon# and are subject to the provisions of Section 25-621 (Location of parking spaces in certain districts).

(d) Special rules for certain areas

In the Borough of Staten Island and in #lower density growth management areas# in Community District 10, Borough of the Bronx, for #community facility# #uses#, each required parking space in a parking area not within a #building# shall be within a parking stall accessed from a travel aisle, where each such stall and aisle complies with the maneuverability standards of paragraph (b) of Section 36-58 (Parking Lot Maneuverability and Curb Cut Regulations). The use of an attendant shall be permitted only where necessary to accommodate additional, non-required parking spaces within the travel aisles. For such open parking areas with 18 or more spaces, or greater than 6,000 square feet in area, the provisions of Section 37-90 (PARKING LOTS) shall also apply.

* * *

25-626

Calculating floor area in parking facilities with lift systems, or in automated parking facilities

For enclosed #accessory# off-street parking facilities, for the purposes of determining #floor area# in an #automated parking facility#, or an attended parking facility with parking lift systems, each tray upon which a vehicle is stored at a height that exceeds the permitted exemption set forth in the definition of #floor area# in Section 12-10, or as otherwise modified in this Resolution, shall be considered #floor area# in an amount of 153 square feet, or the size of such lifted tray, whichever is greater.

* * *

25-65
Surfacing

R1 R2 R3 R4 R5 R6 R7 R8 R9 R10

In all districts, as indicated, all open off-street parking spaces shall be surfaced with permeable paving materials, asphaltic or Portland cement concrete, or other hard-surfaced dustless material, ~~at least four inches thick, except that where required parking spaces are located in #side lot ribbons#, hard surface ribbons may be permitted. However, permeable paving materials may be used in open parking areas where the Commissioner of Buildings determines that such materials are appropriate.~~

* * *

25-68
For Parking Facilities Containing Car Sharing Vehicles

R1 R2 R3 R4 R5 R6 R7 R8 R9 R10

Within an off-street parking facility that contains #car sharing vehicles#, an information plaque shall be placed within 20 feet of either the entrance to the parking facility or the attendant's station, at a location accessible to and visible to users of such facility. The plaque shall be fully opaque, non-reflective and constructed of permanent, highly durable materials and shall contain the following statements in lettering no less than one inch high:

- (a) "Total parking spaces in facility:" which shall specify the total number of parking spaces permitted within such parking facility;
- (b) "Maximum number of car sharing vehicles:" which shall specify the total number of #car sharing vehicles# permitted within such parking facility; and
- (c) where such parking facility contains #accessory residential# parking spaces, "Accessory residential parking spaces shall be made available to residents of this building within 30 days after a written request is made to the landlord."

* * *

25-70
OFF-STREET LOADING REGULATIONS

* * *

25-76
Surfacing

R1 R2 R3 R4 R5 R6 R7 R8 R9 R10

In all districts, as indicated, all permitted or required open off-street loading berths shall be surfaced with permeable paving materials, asphaltic or Portland cement concrete, or other hard-surfaced dustless material, at least six inches thick.

* * *

**25-80
BICYCLE PARKING**

* * *

**25-83
Restrictions on Operation, Size and Location of Enclosed Bicycle Parking Spaces**

R1 R2 R3 R4 R5 R6 R7 R8 R9 R10

In all districts, as indicated, all #accessory# bicycle parking spaces shall be provided on the same #zoning lot# as the #building# or #use# to which such spaces are #accessory#, except as provided in Section 25-84 (~~Certification for~~ Off-site Bicycle Parking Spaces).

* * *

**25-84
~~Certification for~~ Off-site Bicycle Parking Spaces**

R1 R2 R3 R4 R5 R6 R7 R8 R9 R10

In all districts, as indicated, ~~for colleges, universities, seminaries, hospitals and related facilities, except animal hospitals,~~ #accessory# bicycle parking spaces required pursuant to Section 25-811 (Enclosed bicycle parking spaces) may be provided on a #zoning lot# other than the same #zoning lot# as the #use# to which such spaces are #accessory#, provided that ~~the Chairperson of the City Planning Commission certifies to the Department of Buildings that~~ all such bicycle parking spaces are:

- (a) — located on a #zoning lot# not further than 1,000 feet from the nearest boundary of the #zoning lot# occupied by the #use# to which they are #accessory#, or within a subsurface parking and other service facility that serves multiple #zoning lots#, including the #zoning lot# occupied by the #use# to which they are #accessory#; ~~and~~
- (b) — ~~subject to deed restrictions filed in an office of record, binding the owner and his heirs and assigns to maintain the required number of spaces as accessible throughout the life of the #use# generating the #accessory# bicycle parking spaces.~~

A plaque shall be placed within 30 feet of a #building# entrance, with lettering at least three-quarter inches in height stating “Bicycle Parking” followed by information directing users to the address of the off-site location.

The number of off-site #accessory# bicycle parking spaces provided pursuant to this Section and the area of such bicycle parking spaces, in square feet, shall be noted on the certificate of occupancy for both the #building# in which the off-site bicycle parking spaces are located, and the #building# containing the #use# to which such bicycle parking spaces are #accessory#.

* * *

25-85
Floor Area Exemption

* * *

However, in no event shall this Section apply to #single-# or #two-family residences# and in no event shall this Section apply to #accessory# bicycle parking spaces provided off-site pursuant to Section 25-84 (~~Certification for~~ Off-site Bicycle Parking Spaces).

* * *

Chapter 6
Special Urban Design Regulations

26-00
APPLICABILITY OF THIS CHAPTER

The regulations of this Chapter shall apply:

* * *

- (d) to #developments#, #enlargements# or #conversions# in all districts, as applicable, as set forth in Section 26-40 (STREET TREE PLANTING AND PLANTING STRIP REQUIREMENTS); ~~and~~
- (e) to #Quality Housing buildings# where supplemental ground floor level rules apply to #buildings# with #qualifying ground floors#, as set forth in Section 26-50 (SPECIAL GROUND FLOOR LEVEL PROVISIONS FOR QUALIFYING GROUND FLOORS); ~~and~~
- (f) to all #energy infrastructure equipment# and #accessory# mechanical equipment not located within a #completely enclosed building#, as set forth in Section 26-60 (SPECIAL SCREENING AND ENCLOSURE PROVISIONS).

* * *

26-40

STREET TREE PLANTING AND PLANTING STRIP REQUIREMENTS

26-41

Street Tree Planting

In accordance with applicability requirements of underlying district regulations, one #street# tree, pre-existing or newly planted, shall be provided for every 25 feet of #street# frontage of the #zoning lot#. Fractions equal to or greater than one-half resulting from this calculation shall be considered to be one tree.

(a) Design criteria

Such #Street# trees shall be planted at approximately equal intervals along the entire length of along the curb of the #street# adjacent to the #zoning lot#, within:

- (1) tree beds or connected tree beds designed in compliance with standards set forth by the Department of Parks and Recreation; or
- (2) rain gardens designed in compliance with standards set forth by the Department of Environmental Protection.

For #zoning lots# with over 100 feet of #street# frontage, wherever two required #street# tree beds will be separated by less than 25 feet, such tree beds shall be combined and designed as a single continuous tree bed.

The species and caliper of all #street# trees shall be determined by the Department of Parks and Recreation, and all such trees shall be planted in accordance with the #street# tree planting standards of the Department of Parks and Recreation.

(b) Alternate compliance

Where the Department of Parks and Recreation determines that such tree planting would be infeasible adjacent to the #zoning lot#, or in historic districts where the Landmarks Preservation Commission determines that such tree planting would not be in character with the historic district such trees may be provided in an alternate manner, or waived, using any combination of provisions, as appropriate, set forth in this paragraph (b).

(1) Rain gardens

Where the Department of Parks and Recreation determines that such tree planting would be infeasible, such required #street# tree may be substituted for a rain garden designed in compliance with standards set forth by the Department of Environmental Protection.

(2) Planters

Where the Department of Parks and Recreation or Department of Transportation

determines that below-grade infrastructure causes one or more tree planting location to be infeasible, such tree may be provided in permanent planters designed in compliance with standards set forth by the Department of Transportation.

(3) Off-site locations

~~such tree shall~~ Where the Department of Parks and Recreation determines that such tree planting would be infeasible, or in historic districts where the Landmarks Preservation Commission determines that such tree planting would not be in character with the historic district, one or more #street# trees may be planted in an alternative off-site location, to be selected by the Department of Parks and Recreation, except that if the Department of Parks and Recreation determines that no alternative location is available, or if no alternative location is provided within 30 days of an application for a Department of Parks and Recreation permit, such off-site tree shall be waived. Off-site trees shall be planted at alternative locations within:

~~(a)~~(i) an existing empty #street# tree pit or planting strip; or

~~(b)~~(ii) an unpaved area owned by the City of New York.

All such alternative locations shall be within the Community District or one-half mile of such #zoning lot#.

(4) Payment option

Where the Department of Parks and Recreation determines that such tree planting would be infeasible, or in historic districts where the Landmarks Preservation Commission determines that such tree planting would not be in character with the historic district, ~~in~~ in lieu of planting an off-site tree in an available alternative location, or in the event that planting adjacent to the #zoning lot# cannot be completed due to the season, funds equivalent to the cost of planting such tree, as established by rule of the Department of Parks and Recreation, may be deposited in an account of the City of New York. Such funds shall be dedicated to the planting of #street# trees by the City at an alternative location or, in the case of an off-season deposit, in front of the #zoning lot# at the next appropriate planting season.

~~The species and caliper of all #street# trees shall be determined by the Department of Parks and Recreation, and all such trees shall be planted in accordance with the #street# tree planting standards of the Department of Parks and Recreation.~~

* * *

26-61
Special at-grade Screening and Enclosure Regulations

In all districts, all #energy infrastructure equipment# and #accessory# mechanical equipment located below the rooftop level, other than solar or wind energy systems or equipment with a depth limited to 18 inches from an exterior wall, shall be subject to the following provisions when not located within a #completely enclosed building#, whether or not such equipment is located within a required #open space#, #yard#, or #court#:

[RELOCATING FROM PERMITTED OBSTRUCTIONS AND EXPANDING APPLICABILITY]

- (a) all generators and cogeneration equipment utilizing fossil fuels which are #accessory# to #buildings# other than #single-# or #two-family# #residences# shall be completely enclosed within a #building or other structure#, except as necessary for mechanical ventilation;
- (b) all other types of equipment, including generators and cogeneration equipment serving #single-# or #two-family# #residences#, may be unenclosed, provided that such equipment is located at least five feet from any #lot line# and, where located between a #street wall# or prolongation thereof, and the #street line#, such equipment is within three feet of a #street wall#;
- (c) where the area bounding all such equipment, as drawn by a rectangle from its outermost perimeter in plan view, exceeds 25 square feet, such equipment shall be screened in its entirety on all sides. Such screening may be opaque or perforated, provided that where perforated materials are provided, not more than 50 percent of the face is open; and
- (d) where any equipment is located in a #front yard#, or is located within 15 feet of a #zoning lot line#, the equipment shall be fully screened from adjoining #zoning lots#, including such #zoning lots# situated across a #street#, by:
 - (1) a wall or barrier or uniformly painted fence at least as tall as the equipment it is screening, and which must be at least 6 feet, but need not exceed 15 feet in height. Such wall, barrier or fence may be opaque or perforated, provided that not more than 50 percent of the face is open; and
 - (2) a strip at least four feet wide and densely planted with vegetation that, at the time of planting are at least half as tall in height as the screen required by paragraph (1), and are of a type which may be expected to form a year-round dense screen at least six feet high within three years.

Such screening shall be maintained in good condition at all times, may be interrupted by normal entrances or exits and shall have no signs hung or attached thereto.

26-62
Special Rooftop Screening and Enclosure Regulations

In all districts, all #energy infrastructure equipment# and #accessory# mechanical equipment located on roofs, other than solar energy systems, shall be subject to the following provisions when not located within a #completely enclosed building#, whether or not such equipment is penetrating a maximum height limit or a #sky exposure plane#.

All such equipment shall be screened on all sides. Such screening may be opaque or perforated, provided that where perforated materials are provided, not more than 50 percent of the face is open.

* * *

ARTICLE III
COMMERCIAL DISTRICT REGULATIONS

Chapter 2
Use Regulations

32-00
GENERAL PROVISIONS

In order to carry out the purposes and provisions of this Resolution, the #uses# of #buildings or other structures# and the open #uses# of #zoning lots#, or portions thereof, have been classified and combined into Use Groups. A brief statement is inserted at the start of each Use Group to describe and clarify the basic characteristics of that Use Group. Use Groups 1, 2, 3, 4, 5, 6, 7, 8, 9, 10, 11, 12, 13, 14, 15 and 16, including each #use# listed separately therein, are permitted in #Commercial Districts# as indicated in Sections 32-11 through 32-25, except that any such #use# which is also an #adult establishment# shall, in addition, be subject to the provisions of Section 32-01 (Special Provisions for Adult Establishments). For the purposes of establishing permitted #uses# in this Resolution, references to permitted #uses# in the Use Groups, or any sub-categories therein, shall include all #accessory# #uses# thereto.

* * *

32-10
USES PERMITTED AS-OF-RIGHT

* * *

32-15
Use Group 6

C1 C2 C4 C5 C6 C8

Use Group 6 consists primarily of retail stores and personal service establishments which:

- (1) provide for a wide variety of local consumer needs; and

(2) have a small service area and are, therefore, distributed widely throughout the City.

Public service establishments serving small areas are also included. Retail and service establishments are listed in two subgroups, both of which are permitted in all C1 Districts.

The #uses# listed in subgroup A are also permitted within a #large-scale residential development# to provide daily convenience shopping for its residents.

* * *

D. Public Service Establishments⁵

* * *

Public utility stations for oil or gas metering or regulating¹

~~Solar energy systems~~

* * *

E. Clubs

Non-commercial clubs, without restrictions on activities or facilities [PRC-D]

F. Special infrastructure

Electric vehicle charging and battery swapping, open or enclosed

#Energy infrastructure equipment#, open or enclosed, with no size limitations, and subject to the provisions of Section 37-20 (SPECIAL SCREENING AND ENCLOSURE PROVISIONS)

Public bicycle and micromobility parking, open or enclosed

Recycling, or organic material, receiving, limited to 5,000 square feet per establishment

G. #Accessory# #uses#

* * *

32-16

Use Group 7

C2 C6* C8

Use Group 7 consists primarily of home maintenance or repair services which:

- (1) fulfill recurrent needs of residents in nearby areas;
- (2) have a relatively small service area and are, therefore, widely distributed throughout the City; and
- (3) are incompatible in primary retail districts since they break the continuity of retail frontage.

* * *

D. Auto Service Establishments

Automobile glass and mirror shops [PRC-B1]

Automobile seat cover or convertible top establishments, selling or installation [PRC-B1]

[MOVING TO USE GROUP 6]

~~Electric vehicle charging stations and automotive battery swapping facilities [PRC-B1]~~

Tire sales establishments, including installation services [PRC-B1]

* * *

32-17
Use Group 8

* * *

C. Automotive Service Establishments

* * *

~~#Public parking garages# or #public parking lots# with a capacity of 150 spaces or less, subject to the provisions set forth for #accessory# off street parking spaces in Sections 36-53 (Width of Curb Cuts and Location of Access to the Street), 36-55 (Surfacing) and 36-56 (Screening), and provided that such #public parking lots# are not permitted as of right in C6-1A Districts and such #public parking garages# are not permitted as of right in C2-5, C2-6, C2-7, C2-8, C4-5, C4-5A, C4-5X, C4-6, C4-7, C6, C8-4, M1-4, M1-5, M1-6, M2-3, M2-4 or M3-2 Districts. #Public parking garages# may be open or enclosed, provided that no portion of such #use# shall be located on a roof other than a roof which is immediately above a #cellar# or #basement#.~~

#Public parking garages# and #public parking lots# shall be subject to select provisions set forth in Article III, Chapter 6. In the #Manhattan Core#, these #uses# are subject to the provisions of Article I, Chapter 3, and in the #Long Island City area#, as defined in Section 16-02 (Definitions), such #uses# are subject to the provisions of Article I, Chapter 6.

* * *

32-23
Use Group 14

C2 C3 C7 C8

Use Group 14 consists of the special services and facilities required for boating and related activities.

* * *

B. Clubs

Non-commercial clubs, without restrictions on activities or facilities [PRC-D]

C. Special infrastructure

Electric vehicle charging and battery swapping, open or enclosed

#Energy infrastructure equipment#, open or enclosed, with no size limitations, and subject to the provisions of Section 37-20 (SPECIAL SCREENING AND ENCLOSURE PROVISIONS)

Public bicycle and micromobility parking, open or enclosed

Recycling, or organic material, receiving, limited to 5,000 square feet per establishment

D. #Accessory# #uses#

* * *

32-40
SUPPLEMENTARY USE REGULATIONS

32-41
Enclosure Within Buildings

C1 C2 C3 C4 C5 C6 C8

In the districts indicated, except as otherwise specifically provided in the Use Groups permitted in such districts and in Sections 36-11 (General Provisions) and 36-61 (Permitted Accessory Off-street Loading Berths), all permitted #uses# which are created by #development#, or which are #enlarged# or #extended#, or which result from a change of #use# shall be subject to the provisions of this Section with respect to enclosure within #buildings#. With respect to the #enlargement# or #extension# of an existing #use#, such provisions shall apply to the #enlarged# or #extended# portion of such #use#.

#Accessory# #uses# may be open or enclosed, notwithstanding any limitations on the principal #use#, provided that any open #accessory# #uses# are customarily found in connection with such principal #use#.

* * *

32-42

Location Within Buildings

32-421

Limitation on floors occupied by commercial uses

C1 C2 C3

In the districts indicated, in any #building#, or portion of a #building# occupied on one or more of its upper #stories# by #residential# #uses# or by #community facility# #uses#, no #commercial# #uses# listed in Use Group 6A through 6E, 7, 8, ~~9 or 14~~, 14A or 14B shall be located above the level of the first #story# ceiling, provided, however, that permitted #signs#, other than #advertising signs#, #accessory# to such #commercial# #uses# may extend to a maximum height of two feet above the level of the finished floor of the second #story#, but in no event higher than six inches below the lowest window sill of the second #story#. In any other #building#, or portion thereof, not more than two #stories# may be occupied by #commercial# #uses# listed in Use Group 6A, 6B, 6C, ~~6E~~, 7, 8, ~~9 or 14~~, 14A or 14B.

However, in C1 or C2 Districts mapped within R9 or R10 Districts or in C1-8, C1-9, C2-7 or C2-8 Districts, non-#residential# #uses# listed in Use Group 6A through 6E, 7, 8, 9 or 14, where permitted by the applicable district regulations, may occupy the lowest two #stories# in any #building# constructed after September 17, 1970. For #buildings# constructed in such districts prior to September 17, 1970, located in Community District 6 in the Borough of Manhattan, such non-#residential# #uses# may occupy the lowest two #stories# in such #building#, provided that:

- (a) the Chairperson of the City Planning Commission certifies to the Commissioner of Buildings that the second #story# has not been occupied by a #community facility# #use#, a #dwelling unit# or a #rooming unit#, notwithstanding the certificate of occupancy, if any, for a continuous period from May 1, 2013, until a certification has been issued pursuant to this Section; and
- (b) the second #story# of at least one other #building# on the same #block# frontage is occupied by a #use# listed in such Use Groups ~~6, 7, 8, 9 or 14~~.

#Accessory# mechanical equipment serving #commercial# #uses# listed in such Use Groups shall not be subject to the location restrictions of this Section.

32-422

Location of floors occupied by commercial uses

C4 C5 C6

In the districts indicated, in any #building#, or portion of a #building# occupied by #residential# #uses#, #commercial# #uses# listed in Use Group 5, 6A through 6E, 7, 8, 9, 10, 11, 12, 13, 14, 15 or 16 may be located only on a #story# below the lowest #story# occupied in whole or in part by such #dwelling units# or #rooming units#, except that this limitation shall not preclude the location of any such #commercial# #use# below the level of the first #story# ceiling, or the extension of a permitted #sign#, other than an

#advertising sign#, #accessory# to such #commercial# #use#, to a maximum height of two feet above the level of the finished floor of the second #story#, but in no event higher than six inches below the lowest window sill on the second #story#.

#Accessory# mechanical equipment serving #commercial# #uses# listed in such Use Groups shall not be subject to the location restrictions of this Section.

* * *

32-43
Ground Floor Use in Certain Locations

* * *

32-435
Ground floor use in high density Commercial Districts

The regulations of this Section shall apply to any #development# occupied by #predominantly# #residential use#, constructed after April 21, 1977, located on any #zoning lot# within C1-8, C1-9, C2-7, C2-8, C4-6, C4-7, C5-1, C5-2, C5-4, C6-3, C6-4, C6-5 or C6-8 Districts, or C1 or C2 Districts mapped within R9 or R10 Districts. However, this Section shall not apply within any Special Purpose District nor shall it apply to any #Quality Housing building#, except as otherwise set forth herein.

* * *

(c) Retail Continuity

For #buildings# with front #building# walls that are at least 50 feet in width and front upon a #wide street#, a minimum of 50 percent of the width of such front #building# wall shall be occupied at the ground floor level by #commercial# #uses#, as permitted by district regulations.

In C1-8, C1-9, C2-7, C2-8 and C4-6 Districts and C1 or C2 Districts mapped within R9 or R10 Districts, #uses# which occupy such 50 percent of the front #building# wall shall be limited to those listed in Use Groups 6A, and 6C ~~and 6F~~, excluding banks and loan offices, except that in C4-6 Districts only, such #uses# may additionally include those listed in Use Groups 8A, 8B and 10A. All #uses# permitted by the underlying district regulations are permitted in the remaining 50 percent of the front #building# wall.

* * *

Chapter 3
Bulk Regulations for Commercial or Community Facility Buildings in Commercial Districts

33-00
APPLICABILITY, DEFINITIONS AND GENERAL PROVISIONS

* * *

33-04
Lower Density Growth Management Areas

For areas designated as #lower density growth management areas#, pursuant to Section 12-10 (DEFINITIONS), the underlying district regulations shall apply. Such regulations are superseded or supplemented as set forth in the following Sections:

* * *

Section 37-10 (~~APPLICABILITY OF ARTICLE II, CHAPTER 6, TO LOTS WITH PRIVATE ROADS~~) (SPECIAL REGULATIONS FOR PRIVATE ROADS AND LOWER DENSITY GROWTH MANAGEMENT AREAS)

~~Section 37-20 (SPECIAL REGULATIONS FOR LOWER DENSITY GROWTH MANAGEMENT AREAS IN THE BOROUGH OF STATEN ISLAND); inclusive~~

Section 73-125 (Ambulatory diagnostic or treatment health care facilities)

* * *

33-20
YARD REGULATIONS

* * *

33-23
Permitted Obstructions in Required Yards or Rear Yard Equivalents

In all #Commercial Districts#, the obstructions set forth in Section 23-441 (General permitted obstruction allowances), as well as the following obstructions, shall be permitted when located within a required #yard# or #rear yard equivalent#:

[REPETITIVE OBSTRUCTIONS BEING ELIMINATED AND REFERENCE MADE TO ONE GLOBAL REFERENCE]

- (a) In any #yard# or #rear yard equivalent#:
 - (1) ~~Arbors or trellises;~~
 - (2) ~~Awnings and other sun control devices, provided that when located at a level higher than the first #story#, excluding a #basement#, all such awnings and other sun control devices:~~
 - (i) ~~shall be limited to a maximum projection from a #building# wall of 2 feet, 6 inches; and~~

(ii) ~~shall have solid surfaces that, in aggregate, cover an area no more than 30 percent of the area of the #building# wall (as viewed in elevation) from which they project;~~

- (3) Canopies;
- (4) Chimneys, projecting not more than three feet into, and not exceeding two percent of the area of, the required #yard# or #rear yard equivalent#;
- (5) Eaves, gutters or downspouts, projecting into such #yard# or #rear yard equivalent# not more than 16 inches or 20 percent of the width of such #yard# or #rear yard equivalent#, whichever is the lesser distance;
- (6) Exterior wall thickness, where such wall thickness is added to the exterior face of a #building# wall existing on April 30, 2012, provided the added wall thickness has a thermal resistance (R-value) of at least 1.5 per inch, and is limited to one inch of thickness for every foot of existing #yard# width, up to a maximum thickness of eight inches. When an open area is provided along a common #lot line#, then such exterior wall thickness is limited to one inch for every foot of existing open area on the #zoning lot#;

~~Where #buildings# that have added exterior wall thickness pursuant to this Section are #enlarged#, such #enlarged# portion may similarly encroach upon required #yards# in order to align with the exterior walls of the existing #building#, provided such #enlargement# contains less #floor area# than the existing #building#, and there is no encroachment of #floor area# into a required #yard#;~~

- ~~(7)~~(1) Fences;
- (8) Flagpoles;
- ~~(9)~~(2) Parking spaces for automobiles or bicycles, off-street, open, #accessory#;
- (10)(3) #Energy infrastructure equipment# and #accessory# mechanical equipment, provided that:
 - (i) all equipment shall be subject to the applicable provisions of Section 37-20 (SPECIAL SCREENING AND ENCLOSURE PROVISIONS); and
 - (ii) the height of all equipment shall not exceed a height of 23 feet above #curb level#;

~~#Accessory# power systems, including, but not limited to, generators, solar energy systems, fuel cells, batteries and other energy storage systems, provided that all equipment shall not exceed a height of 23 feet above #curb level#;~~

Honorable Dan Garodnick, Chair
Application No. N 230113 ZRY
November 20, 2023
Page 80 of 192

- (11) ~~Solar energy systems on walls existing on April 30, 2012, projecting no more than 10 inches and occupying no more than 20 percent of the surface area of the #building# wall (as viewed in elevation) from which it projects;~~
- (12)(4) ~~Steps, and ramps or lifts for people with physical disabilities;~~
- (13) ~~Terraces or porches, open;~~
- (14)(5) ~~Walls, not exceeding eight feet in height and not roofed or part of a #building#.~~
- (b) In any #rear yard# or #rear yard equivalent#:
 - (1) ~~Balconies, unenclosed, subject to the provisions of Section 24-166;~~
 - (2) ~~Breezeways;~~
 - (3)(2) Any #building# or portion of a #building# used for any permitted #use# other than #residences#, except that any portion of a #building# containing rooms used for living or sleeping purposes (other than a room in a hospital used for the care or treatment of patients) shall not be a permitted obstruction, and provided that the height of such #building# shall not exceed one #story#, excluding #basement#, nor in any event 23 feet above #curb level#. In addition, decks, parapet walls, roof thickness, skylights, vegetated roofs, and weirs, pursuant to Section 33-42 (Permitted Obstructions), shall be permitted above such a #building#, or portion thereof;
 - (4) ~~Fire escapes;~~
 - (5)(3) ~~Parking spaces for automobiles or bicycles, off-street, #accessory#, provided that the height of an #accessory# #building# used for such purposes and located in a required #rear yard# or #rear yard equivalent# shall not exceed 23 feet above #curb level#. In addition, decks, parapet walls, roof thickness, skylights, vegetated roofs, and weirs, as set forth in Section 33-42, shall be permitted above such an #accessory# #building#, or portion thereof; or~~
 - (4) Solar energy systems affixed to solar canopies and located over parking spaces associated with #public parking lots#, automobile rental establishments, or commercial or public utility vehicle parking facilities, as permitted, provided that the height shall not exceed 15 feet above the level of the adjoining grade.
 - (6) ~~Solar energy systems:~~
 - (i) ~~on the roof of a #building# permitted as an obstruction to such #yard#, up to four feet in height as measured perpendicular to the roof surface when located above a permitted #commercial# or #community facility# #use# or attached parking structure;~~

- (ii) ~~on the roof of a #building# permitted as an obstruction to such #yard#, shall be limited to 18 inches in height as measured perpendicular to the roof surface when located above a shed or detached parking structure, or on any roof with a slope greater than 20 degrees;~~
- (iii) ~~on walls existing on April 30, 2012, projecting no more than 10 inches and occupying no more than 20 percent of the surface area of the #building# wall (as viewed in elevation) from which it projects;~~
- (7) ~~Water conserving devices required in connection with air conditioning or refrigeration systems in #buildings# existing prior to May 20, 1966, if located not less than eight feet from any #lot line#.~~

However, no portion of a #rear yard equivalent# that is also a required #front yard# or required #side yard# may contain any obstructions not permitted in such #front yard# or #side yard#.

* * *

33-25 Minimum Required Side Yards

C1 C2 C3 C4 C5 C6 C7 C8

In all districts, as indicated, no #side yards# are required. However, if an open area extending along a #side lot line# is provided at any level, it shall be either:

- (a) at least eight feet wide at every point; or
- (b) at least five feet wide at every point, with an average width of eight feet, such average being the mean of the width of the open area at its narrowest point and its width at its widest point, provided that:
 - (1) such widest point shall be on a #street line#;
 - (2) no portion of a #building# shall project beyond a straight line connecting such two points; and
 - (3) in the case of a #zoning lot# bounded by a #side lot line# extending from #street# to #street#, such average shall be computed and such open area shall be provided as though each half of such #side lot line# bounded a separate #zoning lot#.

~~Permitted obstructions pursuant to paragraph (a) of The allowances for permitted obstructions in any #yard# or #rear yard equivalent# set forth in Section 33-23 (Permitted Obstructions in Required Yards or Rear Yard Equivalents), shall be permitted in such open areas.~~

* * *

33-40
HEIGHT AND SETBACK REGULATIONS

* * *

33-42
Permitted Obstructions

In all #Commercial Districts#, the obstructions set forth in Section 23-621 (General permitted obstruction allowances), as well as the following obstructions, shall be permitted and may thus penetrate a maximum height limit or #sky exposure planes#, as set forth in Sections 33-43 (Maximum Height of Walls and Required Setbacks), 33-44 (Alternate Front Setbacks) or 33-491 (Limited Height Districts):

[REPETITIVE OBSTRUCTIONS BEING ELIMINTATED AND REFERENCE MADE TO ONE GLOBAL REGULATION]

- (a) ~~Awnings and other sun control devices, provided that when located at a level higher than the first #story#, excluding a #basement#, all such awnings and other sun control devices:~~
- ~~(1) shall be limited to a maximum projection from a #building# wall of 2 feet, 6 inches, except when located on the first #story# above a setback;~~
 - ~~(2) shall have solid surfaces that, in aggregate, cover an area no more than 30 percent of the area of the #building# wall (as viewed in elevation) from which they project; and~~
 - ~~(3) may rise above the permitted #building# height, up to the height of a parapet wall or guardrail permitted in accordance with paragraph (j) of this Section.~~

~~When located on the first #story# above a setback, awnings and other sun control devices shall be limited to a projection of 50 percent of the depth of the required setback, and shall be limited, in total, to 50 percent of the width of the #building# wall from which they project;~~

- ~~(b) (a) Balconies, unenclosed, subject to the provisions of Section 24-166;~~
- (e) ~~#Building# columns, having an aggregate width equal to not more than 20 percent of the #aggregate width of street walls# of a #building#, to a depth not exceeding 12 inches, in an #initial setback distance#, optional front open area, or any other required setback distance or open area set forth in Sections 33-43, 33-44 or 33-45 (Tower Regulations);~~
- (d) ~~Chimneys or flues, with a total width not exceeding 10 percent of the #aggregate width of street walls# of a #building# at any given level;~~
- (e) ~~Decks, and other surfaces for recreational activities, not more than 3 feet, 6 inches in height, as measured from the maximum height limit, or the finished level of the roof as it existed on April 30, 2012, whichever is higher;~~

- (f) Elevator or stair bulkheads (including shafts; and vestibules not larger than 60 square feet in area providing access to a roof), roof water tanks and #accessory# mechanical equipment (including enclosures), other than solar or wind energy systems, provided that:
- (1) such obstructions shall be located not less than 10 feet from the #street wall# of a #building#, except that such obstructions need not be set back more than 25 feet from a #narrow street line# or more than 20 feet from a #wide street line#. However, such restrictions on location shall not apply to elevator or stair bulkheads (including shafts or vestibules), provided the #aggregate width of street walls# of such bulkheads within 10 feet of a #street wall#, facing each #street# frontage, times their average height, in feet, does not exceed an area equal to four times the width, in feet, of the #street wall# of the #building# facing such frontage;
 - (2) all mechanical equipment shall be screened on all sides;
 - (3) such obstructions and screening are contained within a volume that complies with one of the following:
 - (i) the product, in square feet, of the #aggregate width of street walls# of such obstructions facing each #street# frontage, times their average height, shall not exceed an area equal to eight times the width, in feet, of the #street wall# of the #building# facing such frontage; or
 - (ii) the #lot coverage# of all such obstructions does not exceed 20 percent of the #lot coverage# of the #building#, and where the maximum permitted height of a #building# is less than 120 feet, such obstructions are limited to a maximum height of 25 feet, and where the maximum permitted height of a #building# is 120 feet or greater, such obstructions are limited to a maximum height of 40 feet.

For the purposes of this paragraph, (f), #abutting# #buildings# on a single #zoning lot# may be considered to be a single #building#;

- (b) Elevator or stair bulkheads (including shafts; and vestibules not larger than 60 square feet in area providing access to a roof), roof water tanks, #energy infrastructure equipment#, and #accessory# mechanical equipment (including enclosures), other than solar or wind energy systems (whether #accessory# or as part of #energy infrastructure equipment#), provided that:
- (1) such obstructions shall be located not less than 10 feet from the #street wall# of a #building#, except that such obstructions need not be set back more than 25 feet from a #narrow# #street line# or more than 20 feet from a #wide# #street line#. However, such restrictions on location shall not apply to elevator or stair bulkheads (including shafts or vestibules), provided the #aggregate width of street walls# of such bulkheads within 10 feet of a #street wall#, facing each #street# frontage, does not exceed 30 percent of the #street wall# width of the #building# facing such frontage;
 - (2) the aggregate area of such obstructions, including any required screening, does not exceed 50 percent of the #lot coverage# of the #building#;

- (3) the height of obstructions within an aggregate area equivalent to at least 20 percent of the #lot coverage# of the #building# shall not exceed 15 feet above the maximum permitted height; and
- (4) the height of obstructions within the remaining #lot coverage#, not to exceed 30 percent of the #building#, shall not exceed:
 - (i) where the maximum permitted height of a #building# is 120 feet or lower, a height of 35 feet above the maximum permitted height;
 - (ii) where the maximum permitted height of a #building# is greater than 120 feet, a height of 55 feet above the maximum permitted height; and
- (5) all equipment shall be subject to the applicable provisions of Section 37-20 (SPECIAL SCREENING AND ENCLOSURE PROVISIONS);
- (g) Exterior wall thickness, up to eight inches, where such wall thickness is added to the exterior face of a #building# wall existing on April 30, 2012, provided the added wall thickness has a thermal resistance (R-value) of at least 1.5 per inch. Where #buildings# that have added exterior wall thickness pursuant to this Section are #enlarged#, such #enlarged# portion may similarly penetrate a maximum height limit in order to align with the exterior walls of the existing #building#, provided such #enlargement# contains less #floor area# than the existing #building#, and there is no penetration of #floor area# above a maximum height limit;
- (h) Flagpoles or aerials;
- (i) (c) House of worship towers, ornamental, having no #floor area# in portion of tower penetrating such height limit or #sky exposure plane#;
- (j) Parapet walls, not more than four feet in height, as measured from the maximum height limit, or the finished level of the roof as it existed on April 30, 2012, whichever is higher. A guardrail with a surface at least 70 percent open or with an opacity of not more than 30 percent (as viewed in elevation), shall be permitted above a parapet wall or within two feet of a parapet wall, provided such guardrail is not more than four feet above the accessible level of a roof. Such restriction on guardrail height shall not apply when located beyond two feet from a parapet wall;
- (k) Roof thickness, up to eight inches, to accommodate the addition of insulation, for #buildings# or portions of #buildings# constructed prior to April 30, 2012. For a #building# that has added roof thickness pursuant to this paragraph, an #enlargement# may align with the finished roof surface of such #building#, provided the #enlarged# portion does not exceed the maximum height limit by more than eight inches;
- (l) (d) #Qualifying Rooftop greenhouses#, up to 25 feet in height, provided that such obstruction shall be located not less than six feet from the #street wall# of the #building#; permitted pursuant to Section 75-01 (Certification for Rooftop Greenhouses);

Honorable Dan Garodnick, Chair
Application No. N 230113 ZRY
November 20, 2023
Page 85 of 192

(m) ~~Skylights, clerestories or other daylighting devices, not more than four feet in height, as measured from the maximum height limit, or the finished level of the roof as it existed on April 30, 2012, whichever is higher. Such devices shall be limited to a #lot coverage# not greater than 10 percent of the #lot coverage# of the roof and be located at least eight feet from the #street wall# edge. However, such devices shall not be permitted obstructions above a roof with a slope greater than 20 degrees;~~

(n) Solar energy systems:

(1) ~~on the roof of a #building#, up to four feet in height, as measured from the maximum height limit, or the finished level of the roof, whichever is higher;~~

(2) ~~on the roof of a #building#, greater than four feet in height, as measured from the maximum height limit, or the finished level of the roof, whichever is higher, provided that all such portions above four feet are set back at least six feet from a #street wall#, limited to a #lot coverage# not greater than 25 percent of the #lot coverage# of the roof and do not exceed:~~

(i) ~~in #Commercial Districts# mapped within R1 through R5 Districts and in C3 and C4-1 Districts, a height of six feet;~~

(ii) ~~in all other #Commercial Districts# and #Commercial Districts# mapped within R6 through R10 Districts, a height of 15 feet; and~~

(iii) ~~when located on a bulkhead or other obstruction pursuant to paragraph (f) of this Section, a height of six feet;~~

(3) ~~on walls existing on April 30, 2012, projecting no more than 10 inches and occupying no more than 20 percent of the surface area of the #building# wall (as viewed in elevation) from which it projects.~~

~~However, any installation on a roof with a slope greater than 20 degrees shall be limited to 18 inches in height, as measured perpendicular to the roof surface;~~

(o) (e) Spires or belfries;

(p) ~~Vegetated roofs, not more than 3 feet, 6 inches in height, excluding vegetation, as measured from the maximum height limit, or the finished level of the roof as it existed on April 30, 2012, whichever is higher. On roofs with slopes greater than 20 degrees, vegetated roofs shall be limited to a height of 12 inches measured perpendicular to such roof surface;~~

(q) ~~Weirs, check dams and other equipment for stormwater management, not more than 3 feet, 6 inches in height, as measured from the maximum height limit, or the finished level of the roof as it existed on April 30, 2012, whichever is higher;~~

(r) (f) Wind energy systems, #accessory# or as part of #energy infrastructure equipment#, on portions of #buildings# with a height of 100 feet or greater, provided that:

- (1) the highest point of the wind turbine assembly does not exceed 55 feet;
- (2) no portion of the wind turbine assembly is closer than 10 feet to any #lot line#; and
- (3) in districts where new #residences# or new #joint living-work quarters for artists# are allowed as-of-right or by special permit or authorization, or within 100 feet of such districts, the diameter of the swept area of the rotor does not exceed 15 feet;

~~(s) Window washing equipment mounted on a roof;~~

~~(t) Wire, chain link or other transparent fences.~~

* * *

33-43
Maximum Height of Walls and Required Setbacks

* * *

33-431
In C1 or C2 Districts with bulk governed by surrounding Residence District

C1-1 C1-2 C1-3 C1-4 C1-5 C2-1 C2-2 C2-3 C2-4 C2-5

In the districts indicated, for #buildings# other than #Quality Housing buildings#, the maximum height of a front wall and the required front setback of a #building or other structure# shall be determined by the #Residence District# within which such #Commercial District# is mapped and, except as otherwise set forth in this Section, shall be as set forth in the following table:

* * *

However, in accordance with the provisions of Section 32-42 (Location Within Buildings), no #commercial building# or portion thereof occupied by non-#residential uses# listed in Use Groups 6A, 6B, 6C, ~~6F~~, 7, 8, 9, ~~or~~ 14A or 14B shall exceed in height 30 feet or two #stories#, whichever is less.

* * *

33-432
In other Commercial Districts

C1-6 C1-7 C1-8 C1-9 C2-6 C2-7 C2-8 C3 C4 C5 C6 C7 C8

* * *

However, in accordance with the provisions of Section 32-42 (Location within Buildings), in C1, C2 or C3 Districts, no #commercial building#, or portion thereof, occupied by non-#residential uses# listed in Use Group 6A, 6B, 6C, ~~6F~~, 7, 8, 9, ~~or~~ 14A or 14B shall exceed in height 30 feet or two #stories#, whichever is less.

* * *

33-44
Alternate Front Setbacks

* * *

33-441
In C1 or C2 Districts with bulk governed by surrounding Residence District

C1-1 C1-2 C1-3 C1-4 C1-5 C2-1 C2-2 C2-3 C2-4 C2-5

In the districts indicated, the alternate front setback regulations applicable to a #building or other structure# shall be determined by the #Residence District# in which such #Commercial District# is mapped and, except as otherwise set forth in this Section, shall be as set forth in the following table:

* * *

However, in accordance with the provisions of Section 32-42 (Location within Buildings), no #commercial building#, or portion thereof, occupied by non-#residential uses# listed in Use Group 6A, 6B, 6C, ~~6F~~, 7, 8, 9, ~~or~~ 14A or 14B shall exceed in height 30 feet or two #stories#, whichever is less.

* * *

33-442
In other Commercial Districts

C1-6 C1-7 C1-8 C1-9 C2-6 C2-7 C2-8 C3 C4 C5 C6 C7 C8

In the districts indicated, the alternate front setback regulations applicable to a #building or other structure# shall be as set forth in the following table:

* * *

However, in accordance with the provisions of Section 32-42 (Location Within Buildings), in C1, C2 or C3 Districts, no #commercial building# or portion thereof occupied by #uses# listed in Use Group 6A, 6B, 6C, ~~6F~~, 7, 8, 9, ~~or~~ 14A or 14B shall exceed in height 30 feet or two #stories#, whichever is less.

* * *

Chapter 4
Bulk Regulations for Residential Buildings in Commercial Districts

* * *

34-20
EXCEPTIONS TO APPLICABILITY OF RESIDENCE DISTRICT CONTROLS

* * *

34-23
Modification of Yard Regulations

* * *

34-232
Modification of side yard requirements

C1 C2 C3 C4 C5 C6

In the districts indicated, except as otherwise provided in Section 34-233 (Special provisions applying along district boundaries), no #side yard# shall be required for any #residential building#. However, if any open area extending along a #side lot line# is provided, such open area shall have a width of not less than eight feet. ~~Permitted obstructions, pursuant to paragraph (a) of~~ The allowances for permitted obstructions in any #yard# or #rear yard equivalent# set forth in Section 23-44 (Permitted Obstructions in Required Yards or Rear Yard Equivalents), inclusive, shall be permitted in such open areas.

* * *

Chapter 5
Bulk Regulations for Mixed Buildings in Commercial Districts

* * *

35-50
MODIFICATION OF YARD REGULATIONS

* * *

35-52
Modification of Side Yard Requirements

C1 C2 C3 C4 C5 C6

In the districts indicated, except as otherwise provided in Section 35-54 (Special Provisions Applying Adjacent to R1 Through R5 Districts), no #side yard# shall be required although, if any open area extending along a #side lot line# is provided at any level, it shall have a width of not less than eight feet. ~~Permitted obstructions, pursuant to paragraph (a) of~~ The allowances for permitted obstructions in any

#yard# or #rear yard equivalent# set forth in Section 33-23 (Permitted Obstructions in Required Yards or Rear Yard Equivalents), shall be permitted in such open areas.

However, in C3A Districts, #side yards# shall be provided in accordance with the regulations for R3A Districts as set forth in Section 23-461 (Side yards for single- or two-family residences).

* * *

35-60
MODIFICATION OF HEIGHT AND SETBACK REGULATIONS

* * *

35-65
Height and Setback Requirements for Quality Housing Buildings

In all such districts, the permitted obstructions provisions of Section 33-42 shall apply to any #building or other structure#. In addition, a dormer may be allowed as a permitted obstruction pursuant to paragraph (c)(1) of Section ~~23-624~~ 23-623 (Permitted obstructions in certain districts).

* * *

35-653
Tower regulations

C6-3D C6-4X

In the districts indicated, any #building or other structure#, or portions thereof, which in the aggregate occupies not more than 40 percent of the #lot area# of a #zoning lot# or, for #zoning lots# of less than 20,000 square feet, the percentage set forth in the table in Section 23-65 (Tower Regulations), above a height of 85 feet above the #base plane#, is hereinafter referred to as a tower. Dormers permitted within a required setback area pursuant to Section ~~23-624~~ 23-623 (Permitted obstructions in certain districts) shall not be included in tower coverage. Such tower may exceed a height limit of 85 feet above the #base plane# provided the base of such tower complies with the applicable provisions of Section 35-651 (Street wall location) and the setback provisions of Section 35-652 (Maximum height of buildings and setback regulations), and provided that the tower portion complies with the provisions of paragraphs (a), (b) and (c) of Section 23-663 (Tower regulations).

* * *

Chapter 6
Accessory Off-Street Parking and Loading Regulations

36-00
GENERAL PURPOSES AND DEFINITIONS

* * *

36-02
Applicability of District Regulations

Except as otherwise provided in this Section, the regulations of this Chapter on permitted and required #accessory# off-street parking spaces and #accessory# bicycle parking spaces apply to #residences#, #community facility# #uses# or #commercial# #uses#, as set forth in the provisions of the various Sections. In addition, the regulations of this Chapter, or of specified Sections thereof, also apply in other provisions of this Resolution where they are incorporated by cross reference. In limited instances certain regulations also apply to #public parking garages# and #public parking lots#.

* * *

36-029
Applicability of regulations to public parking garages and public parking lots

The following provisions of this Chapter shall apply to #public parking garages# and #public parking lots# in addition to #accessory# off-street parking facilities:

<u>Section 36-462</u>	<u>(Restrictions on the use of parking spaces in public parking garages and public parking lots)</u>
<u>Section 36-524</u>	<u>(Calculating floor area in parking facilities with lift systems, or in automated parking facilities)</u>
<u>Section 36-53</u>	<u>(Width of Curb Cuts and Location of Access to the Street)</u>
<u>Section 36-55</u>	<u>(Surfacing)</u>
<u>Section 36-56</u>	<u>(Screening)</u>
<u>Section 36-58</u>	<u>(Parking Lot Maneuverability and Curb Cut Regulations)</u>

36-03
Definitions

* * *

36-40
RESTRICTIONS ON LOCATION AND USE OF ACCESSORY OFF-STREET PARKING SPACES

* * *

36-46
Restrictions on the Use of Accessory Parking Spaces and Spaces in Public Parking Garages and Public Parking Lots

36-461

Restrictions on Use of Accessory Off-street Parking Spaces the use of accessory off-street parking spaces

C1 C2 C3 C4 C5 C6 C7 C8

In all districts, as indicated, all permitted or required #accessory# off-street parking spaces, open or enclosed, shall be used primarily for the owners, occupants, employees, customers, residents or visitors of the #use# or #uses# to which such spaces are #accessory#, except as set forth in this Section.

- (a) Any off-street parking spaces #accessory# to #residences# which are not needed by the occupants of such #residences#, may be rented to persons who are not occupants of such #residences# for the accommodation of private passenger motor vehicles used by such persons, provided that:
 - (1) in C1 and C5 Districts, such spaces shall not be rented for periods of less than one week or more than one month to persons who are not occupants of such #residences#, provided, however, that rental for shorter periods may be permitted by the Board of Standards and Appeals in accordance with the provisions of Section 73-47 (Rental of Accessory Off-street Parking Spaces to Non-Residents); and
 - (2) in C3 Districts, such spaces shall not be rented for periods of less than one week or more than one month to persons who are not occupants of such #residences#.
- (b) In C1 or C2 Districts mapped within, or with an equivalent of, R3-2 through R10 Districts, other than R4-1, R4A, R4B and R5A Districts, and in C3 Districts, up to five spaces or 20 percent of all #accessory# off-street parking spaces, whichever is greater, may be allocated to:
 - (i) publicly available electric vehicle charging facilities;
 - (ii) #car sharing vehicles#; or
 - (iii) vehicles stored by automobile rental establishments.
- (c) In C4, C5, C6, C7 and C8 Districts, up to five spaces or 20 percent of all #accessory# off-street parking spaces, whichever is greater, may be allocated to:
 - (i) publicly available electric vehicle charging facilities;
 - (ii) #car sharing vehicles#;

- (iii) vehicles stored by automobile rental establishments; or
- (iv) commercial or public utility vehicle parking for motor vehicles not exceeding a length of 20 feet.

Any spaces #accessory# to #residences# shall be made available to the occupants of the #residences# to which they are #accessory# within 30 days after written request is made to the landlord.

or may be occupied by #car sharing vehicles#, only as set forth in the following paragraphs:

- (1) ~~— In C1 or C2 Districts mapped within #Residence Districts#~~

~~In C1 or C2 Districts mapped within R3, R4 or R5A Districts, the number of spaces occupied by #car sharing vehicles# shall not exceed 10 percent of all parking spaces in #group parking facilities# containing 20 or more spaces. In C1 or C2 Districts mapped within R5 Districts, except R5A Districts, and in R6, R7, R8, R9 or R10 Districts, the number of spaces occupied by #car sharing vehicles# shall not exceed five spaces or 20 percent of all parking spaces, whichever is greater.~~

- (2) ~~— In C1 or C2 Districts not mapped within #Residence Districts#, or in C3, C4, C5, C6 Districts~~

~~In the districts indicated, except C3 Districts, the number of spaces occupied by #car sharing vehicles# shall not exceed five spaces or 20 percent of all parking spaces, whichever is greater. In C3 Districts, the number of spaces occupied by #car sharing vehicles# shall not exceed 10 percent of all parking spaces in #group parking facilities# containing 20 or more spaces.~~

~~Such spaces provided pursuant to paragraph (a) of this Section shall be made available to the occupants of the #residences# to which they are #accessory# within 30 days after written request is made to the landlord.~~

- (b) ~~— #Car sharing vehicles# may occupy off street parking spaces #accessory# to a non #residential use# in #group parking facilities# containing 20 spaces or more; however, the number of spaces so occupied shall not exceed 10 percent of all parking spaces in such #group parking facilities#.~~

~~In addition, the rental of such spaces to non-residents shall be subject to the restrictions applying to the specified districts as set forth in Sections 36-461 and 36-462, except that such restrictions shall not apply to spaces occupied by #car sharing vehicles#.~~

**36-461
Restrictions on rental of spaces accessory to residences in C1 or C5 Districts**

C1-C5

~~In the districts indicated, off-street parking spaces #accessory# to #residences# shall not be rented for periods of less than one week or more than one month to persons who are not occupants of such #residences#, provided, however that rental for shorter periods may be permitted by the Board of Standards and Appeals in accordance with the provisions of Section 73-47 (Rental of Accessory Off-street Parking Spaces to Non-Residents).~~

~~36-462~~

~~Restrictions on rental of spaces accessory to residences in C3 Districts~~

~~C3~~

~~In the district indicated, off-street parking spaces #accessory# to #residences# shall not be rented for periods of less than one week or more than one month to persons who are not occupants of such #residences#.~~

36-462

Restrictions on the use of parking spaces in public parking garages and public parking lots

C1 C2 C3 C4 C5 C6 C7 C8

In all districts, as indicated, off-street parking spaces in #public parking garages# and #public parking lots# may be made available for electric charging, or allocated to #car sharing vehicles#, vehicles stored by automobile rental establishments, or commercial or public utility vehicle parking, only as follows:

- (a) In all districts, all spaces within a #public parking garage# or #public parking lot# may be allocated to publicly available electric vehicle charging facilities.
- (b) In C1 or C2 Districts mapped within, or with an equivalent of R3-2 through R10 Districts, other than R4-1, R4A, R4B and R5A Districts, and in C3 Districts, up to 50 percent of the parking spaces within a #public parking garage# or #public parking lot# may be allocated to #car sharing vehicles#, or vehicles stored by automobile rental establishments.
- (c) In C4, C5, C6, C7 and C8 Districts, up to 50 percent of the parking spaces within a #public parking garage# or #public parking lot# may be allocated to:
 - (i) #car sharing vehicles#;
 - (ii) vehicles stored by automobile rental establishments; or
 - (iii) commercial or public utility vehicle parking for motor vehicles not exceeding a length of 20 feet.

Restrictions on Automotive Repairs and Sale of Motor Fuel

C1 C2 C3 C4 C5 C6 C7 C8

In all districts, as indicated, automotive repairs or the sale of motor fuel, motor oil or automotive accessories are not permitted in connection with the operation of #accessory# off-street parking spaces. However, where such parking spaces are provided in a #building or other structure#, unattached to the #building# containing #residences#, minor automotive repairs (not including body work) are permitted; ~~and not more than three motor fuel pumps may be provided. However, no motor fuel shall be sold to persons who are not using the parking spaces.~~ The provisions of this Section are not applicable to #accessory# off-street parking spaces provided in #public parking garages#.

36-48

Electric Vehicle Charging

Electric vehicle charging facilities shall be permitted at all #accessory# off-street parking spaces. Such charging shall be for the owners, occupants, employees, customers, residents or visitors using such #accessory# parking spaces, except as otherwise permitted by the provisions of Section 36-461 (Restrictions on use of accessory off-street parking spaces).

* * *

36-50

ADDITIONAL REGULATIONS FOR PERMITTED OR REQUIRED ACCESSORY OFF-STREET PARKING SPACES

* * *

36-52

Size, Location and Identification of Spaces

C1 C2 C3 C4 C5 C6 C7 C8

In the districts indicated, all #accessory# off-street parking spaces shall comply with the size and location provisions of this Section.

36-521

Size of spaces

C1 C2 C3 C4 C5 C6 C7 C8

(a) Minimum maneuvering space

In all districts, as indicated, for all #accessory# off-street parking spaces, open or enclosed, each 300 square feet of unobstructed standing or maneuvering area shall be considered one parking space, except as follows: -However, an

(1) Standard attended facilities

An area of less than 300 square feet, but in no event less than 200 square feet, may be considered as one space, where the layout and design of the parking area are adequate to permit convenient access and maneuvering in accordance with regulations promulgated by the Commissioner of Buildings, or where the developer or applicant for a building permit or certificate of occupancy certifies that such spaces will be fully attended.

[EXISTING TEXT BEING RELOCATED FROM BELOW]

In any case where a reduction of the required area per parking space is permitted on the basis of the developer's certification that such spaces will be fully attended, it shall be set forth in the certificate of occupancy that paid attendants employed by the owners or operators of such spaces shall be available to handle the parking and moving of automobiles at all times when such spaces are in use.

(2) Attended facilities with parking lift systems

For portions of an attended parking facility with parking lift systems, each individually lifted tray upon which a vehicle is stored shall be considered one parking space. Any other attended space not on a lifted tray shall be subject to the provisions of paragraph (a)(1) of this Section.

(3) #Automated parking facilities#

For #automated parking facilities#, each tray upon which a vehicle is stored shall constitute one street parking space. The term "tray" shall refer to the structural support for vehicle storage in both pallet and non-pallet vehicle storage systems.

However, auxiliary parking trays in #automated parking facilities# may be exempted from constituting a parking space where the Commissioner of Buildings determines that such auxiliary parking trays are necessary to store and retrieve vehicles for the efficient operation of such #automated parking facility#.

(b) Driveway access

Driveways used to access required parking spaces must be unobstructed for a width of at least eight feet and a height of eight feet above grade and, if connecting to a #street#, such driveway may only be accessed by a curb cut.

[EXISTING TEXT BEING RELOCATED ABOVE]

~~In any case where a reduction of the required area per parking space is permitted on the basis of the developer's certification that such spaces will be fully attended, it shall be set forth in the certificate of occupancy that paid attendants employed by the owners or operators of such spaces shall be available to handle the parking and moving of automobiles at all times when such spaces are in use.~~

(c) Minimum size for each parking space

In no event shall the dimensions of any parking stall be less than 18 feet long and 8 feet, 6 inches wide.

(d) Special rules for certain areas

In the Borough of Staten Island and in #lower density growth management areas# in Community District 10 in the Borough of the Bronx, for #commercial# or #community facility# #uses#, each required parking space not within a #building# shall be within a parking stall accessed from a travel aisle, where each such stall and aisle complies with the maneuverability standards of paragraph (b) of Section 36-58 (Parking Lot Maneuverability and Curb Cut Regulations). The use of an attendant shall be permitted only where necessary to accommodate additional, non-required parking spaces within the travel aisles. For such parking areas with 18 or more spaces, or greater than 6,000 square feet in area, the provisions of Section 37-90 (PARKING LOTS) shall also apply.

* * *

36-524

Calculating floor area in parking facilities with lift systems, or in automated parking facilities

For enclosed #accessory# off-street parking facilities, or #public parking garages#, for the purposes of determining #floor area# in an #automated parking facility#, or an attended parking facility with parking lift systems, each tray upon which a vehicle is stored at a height that exceeds the permitted exemption set forth in the definition of #floor area# in Section 12-10, or as otherwise modified in this Resolution, as applicable, shall be considered #floor area# in an amount of 153 square feet, or the size of such lifted tray, whichever is greater.

* * *

36-55

Surfacing

C1 C2 C3 C4 C5 C6 C7 C8

* * *

Any area intended to be used permanently for an open #accessory# #group parking facility# shall be surfaced with permeable paving materials, asphaltic or Portland cement concrete, or other hard-surfaced dustless material, at least four inches thick. However, permeable paving materials may be used in open parking areas where the Commissioner of Buildings determines that such materials are appropriate.

* * *

**36-70
BICYCLE PARKING**

* * *

**36-73
Restrictions on Operation, Size and Location of Bicycle Parking Spaces**

C1 C2 C3 C4 C5 C6 C7 C8

In all districts, as indicated, all #accessory# bicycle parking spaces shall be provided on the same #zoning lot# as the #building# or #use# to which such spaces are #accessory#, except as provided in Section 36-74 (~~Certification for~~ Off-site Bicycle Parking Spaces).

* * *

Bicycle spaces may be located in a room secured by a lock, or similar means, provided that access is through a commonly accessible area and access is made available to eligible users on an equal basis. Rooms containing required bicycle parking spaces may also contain non-required #accessory# bicycle spaces, as well as non-#accessory# bicycle spaces permitted by the underlying district regulations.

* * *

**36-74
~~Certification for~~ Off-site Bicycle Parking Spaces**

C1 C2 C3 C4 C5 C6 C7 C8

In all districts, as indicated, ~~for colleges, universities, seminaries, hospitals and related facilities, except animal hospitals,~~ #accessory# bicycle parking spaces required pursuant to Section 36-711 (Enclosed bicycle parking spaces) may be provided on a #zoning lot# other than the same #zoning lot# as the #use# to which such spaces are #accessory#, provided that ~~the Chairperson of the City Planning Commission certifies to the Department of Buildings that all~~ such bicycle parking spaces are:

- (a) —located on a #zoning lot# not further than 1,000 feet from the nearest boundary of the #zoning lot# occupied by the #use# to which they are #accessory#, or within a subsurface parking and other service facility that serves multiple #zoning lots#, including the #zoning lot# occupied by the #use# to which they are #accessory#; ~~and~~.

~~(b) — subject to deed restrictions filed in an office of record, binding the owner and his heirs and assigns to maintain the required number of spaces as accessible throughout the life of the #use# generating the #accessory# bicycle parking spaces.~~

A plaque shall be placed within 30 feet of an entrance of the #building#, with lettering at least three-quarter inches in height stating “Bicycle Parking” followed by information directing users to the address of the off-site location.

The number of off-site #accessory# bicycle parking spaces provided pursuant to this Section and the area of such bicycle parking spaces, in square feet, shall be noted on the certificate of occupancy for both the #building# in which the off-site bicycle parking spaces are located, and the #building# containing the #use# to which such bicycle parking spaces are #accessory#.

* * *

36-75
Floor Area Exemption

* * *

However, in no event shall this Section apply to #single-# or #two-family residences#; and in no event shall this Section apply to #accessory# bicycle parking spaces provided off-site, pursuant to Section 36-74 (~~Certification for~~ Off-site Bicycle Parking Spaces).

Chapter 7
Special Urban Design Regulations

37-00
GENERAL PURPOSES

Special urban design regulations are set forth in this Chapter to improve the quality of the streetscape and to promote a lively and engaging pedestrian experience along commercial streets in various neighborhoods.

The provisions of this Chapter shall apply as follows:

- (a) Section 37-10 sets forth applicability of Article II, Chapter 6 to zoning lots accessed by private roads in C1 or C2 Districts mapped within R3, R4 or R5 Districts, and in C3 Districts; and sets forth special regulations for lower density growth management areas in the Borough of Staten Island;

- (b) ~~Section 37-20, inclusive, sets forth special regulations for lower density growth management areas in the Borough of Staten Island;~~
Section 37-20, inclusive, sets forth special regulations for all energy infrastructure equipment and accessory mechanical equipment not located within a completely enclosed building;
- (c) Section 37-30, inclusive, sets forth special streetscape provisions that apply in conjunction with provisions specified in the supplemental use provisions of Article III, Chapter 2, special provisions for certain areas in Article VI, or in Special Purpose Districts in Articles VIII through XIV;
- (d) Section 37-40, inclusive, sets forth provisions for relocating or renovating subway stairs in certain areas;
- (e) Section 37-50, inclusive, sets forth requirements for pedestrian circulation spaces that apply in conjunction with provisions specified in certain Special Purpose Districts;
- (f) Section 37-60, inclusive, sets forth provisions for publicly accessible open areas such as plazas, residential plazas and urban plazas created prior to October 17, 2007;
- (g) Section 37-70, inclusive, sets forth provisions for public plazas;
- (h) Section 37-80 sets forth provisions for arcades; and
- (i) Section 37-90, inclusive, sets forth provisions for certain open parking areas, including landscaping.

37-10

APPLICABILITY OF ARTICLE II, CHAPTER 6, TO LOTS WITH PRIVATE ROADS SPECIAL REGULATIONS FOR PRIVATE ROADS AND LOWER DENSITY GROWTH MANAGEMENT AREAS

37-11

Applicability of Article II, Chapter 6, to Lots with Private Roads

In C1 or C2 Districts mapped within R3, R4 or R5 Districts, and in C3 Districts, the provisions of Section 26-20 (SPECIAL REQUIREMENTS FOR LOTS WITH PRIVATE ROADS) shall apply to any #zoning lot# with #buildings# accessed by #private roads#, except where such #zoning lot# contains #private roads# constructed prior to February 6, 2002. In addition, the open area between #buildings# and sidewalks required pursuant to Section 26-25 need not be planted where such open areas front upon #commercial# #uses#.

However, in C3A Districts located within #lower density growth management areas#, the provisions of 26-30 (SPECIAL REQUIREMENTS FOR LOTS WITH PRIVATE ROADS IN LOWER DENSITY GROWTH MANAGEMENT AREAS) shall apply.

37-12

Special Screening For Lower Density Growth Management Areas in Staten Island

In all C1, C2 and C4-1 Districts in the Borough of Staten Island, all #developments# or #enlargements# containing non-#residential uses# shall be screened from adjoining #zoning lots# containing only #residential uses# by a planting strip at least five feet wide along the common #side lot line#, densely planted with evergreen shrubs at least four feet high at time of planting and of a variety expected to reach a height of six feet within three years. No chain link fences shall be permitted. However, no such screening shall be required where both such #buildings# front upon a #street line# that forms the boundary of a #block# front mapped entirely as a #Commercial District#.

37-20

SPECIAL REGULATIONS FOR LOWER DENSITY GROWTH MANAGEMENT AREAS IN THE BOROUGH OF STATEN ISLAND
SPECIAL SCREENING AND ENCLOSURE PROVISIONS

37-21

Special Screening Requirements Between Residential and Non-Residential Uses
Special At-grade Screening and Enclosure Regulations

In all C1, C2 and C4-1 Districts in the Borough of Staten Island, all #developments# or #enlargements# containing non-#residential uses# shall be screened from adjoining #zoning lots# containing only #residential uses# by a planting strip at least five feet wide along the common #side lot line#, densely planted with evergreen shrubs at least four feet high at time of planting and of a variety expected to reach a height of six feet within three years. No chain link fences shall be permitted. However, no such screening shall be required where both such #buildings# front upon a #street line# that forms the boundary of a #block# front mapped entirely as a #Commercial District#.

In all districts, other than C8 Districts, all #energy infrastructure equipment# and #accessory# mechanical equipment located below the rooftop level, other than solar or wind energy systems or equipment with a depth limited to 18 inches from an exterior wall, shall be subject to the following provisions when not located within a #completely enclosed building#, whether or not such equipment is located within a required #open space#, #yard#, or #court#:

- (a) all generators and cogeneration equipment utilizing fossil fuels which are #accessory# to #buildings# other than #single-# or #two-family# #residences# shall be completely enclosed within a #building or other structure#, except as necessary for mechanical ventilation;

- (b) all other types of equipment, including generators and cogeneration equipment serving #single-# or #two-family# #residences#, may be unenclosed, provided that such equipment is located at least five feet from any #side# or #rear lot line# and where located between a #street wall#, or prolongation thereof, and the #street line#, such equipment is within three feet of a #street wall#; and
- (c) where the area bounding all such equipment, as drawn by a rectangle from its outermost perimeter in plan view, exceeds 25 square feet, such equipment shall be screened in its entirety on all sides. Such screening may be opaque or perforated, provided that where perforated materials are provided, not more than 50 percent of the face is open.

37-22
Special Rooftop Screening and Enclosure Regulations

In all districts, all #energy infrastructure equipment# and #accessory# mechanical equipment located on roofs, other than solar energy systems, shall be subject to the following provisions when not located within a #completely enclosed building#, whether or not such equipment is penetrating a maximum height limit or a #sky exposure plane#.

All such equipment shall be screened on all sides. Such screening may be opaque or perforated, provided that where perforated materials are provided, not more than 50 percent of the face is open.

37-30
SPECIAL GROUND FLOOR LEVEL STREETScape PROVISIONS FOR CERTAIN AREAS

* * *

37-50
REQUIREMENTS FOR PEDESTRIAN CIRCULATION SPACE

* * *

37-53
Design Standards for Pedestrian Circulation Spaces

- (a) Arcade

* * *

An arcade shall meet the following requirements:

* * *

(3) Permitted obstructions

Except for #building# columns, and ~~exterior wall thickness~~ #qualifying exterior wall thickness# pursuant to Section 33-23 (Permitted Obstructions in Required Yards or Rear Yard Equivalents), an arcade shall be free from obstructions of any kind.

* * *

(b) #Building# entrance recess area

* * *

A #building# entrance recess area shall meet the following requirements:

* * *

(2) Permitted obstructions

Any portion of a #building# entrance recess area under an overhanging portion of the #building# shall have a minimum clear height of 15 feet. It shall be free of obstructions except for ~~exterior wall thickness~~ #qualifying exterior wall thickness# pursuant to Section 33-23, and #building# columns, between any two of which there shall be a clear space of at least 15 feet measured parallel to the #street line#. Between a #building# column and a wall of the #building#, there shall be a clear path at least five feet in width.

* * *

(c) Corner arcade

* * *

A corner arcade shall meet the following requirements:

* * *

(2) Permitted obstructions

Except for #building# columns, ~~exterior wall thickness~~ #qualifying exterior wall thickness# pursuant to Section 33-23, a corner arcade shall be free from obstructions of any kind.

* * *

(d) Corner circulation space

* * *

A corner circulation space shall meet the following requirements:

* * *

(2) Permitted obstructions

A corner circulation space shall be completely open to the sky from its lowest level, except for temporary elements of weather protection, such as awnings or canopies, provided that the total area of such elements does not exceed 20 percent of the area of the corner circulation space and that such elements and any attachments thereto are at least eight feet above #curb level#. A corner circulation space shall be clear of all other obstructions including, without limitation, door swings, #building# columns, #street# trees, planters, vehicle storage, parking or trash storage. However, ~~exterior wall thickness~~ #qualifying exterior wall thickness# may be added pursuant to Section 33-23. No gratings, except for drainage, shall be permitted.

* * *

(f) Sidewalk widening

* * *

A sidewalk widening shall meet the following requirements:

* * *

(3) Permitted obstructions

A sidewalk widening shall be unobstructed from its lowest level to the sky except for those obstructions permitted under paragraph (f)(2) of this Section, ~~exterior wall thickness~~ #qualifying exterior wall thickness# to Section 33-23, and for temporary elements of weather protection, such as awnings or canopies, provided that the total area of such elements, measured on the plan, does not exceed 20 percent of the sidewalk widening area, and that such elements and any attachments thereto are at least eight feet above #curb level#.

* * *

(h) Through #block# connection

* * *

A through #block# connection shall meet the following requirements:

* * *

(2) Design standards for a through #block# connection

- (i) A through #block# connection shall provide a straight, continuous, unobstructed path at least 15 feet wide. If covered, the clear, unobstructed height of a through #block# connection shall not be less than 15 feet. ~~exterior wall thickness~~ #qualifying exterior wall thickness#, as set forth in Section 33-23, shall be a permitted obstruction to such path.

* * *

**37-70
PUBLIC PLAZAS**

* * *

**37-72
Access and Circulation**

* * *

**37-721
Sidewalk frontage**

To facilitate pedestrian access to a #public plaza#, the following rules shall apply to the area of the #public plaza# located within 15 feet of a #street line# or sidewalk widening line:

* * *

- (b) In the remaining 50 percent of such area, only those obstructions listed in Section 37-726 (Permitted obstructions) shall be allowed, provided such obstructions are not higher than two feet above the level of the public sidewalk fronting the #public plaza#, except for light stanchions, public space signage, railings for steps, ~~exterior wall thickness~~ #qualifying exterior wall thickness# pursuant to Section 33-23 (Permitted Obstructions in Required Yards or Rear Yard Equivalentents), trash receptacles, trees and fixed or moveable seating and tables. Furthermore, planting walls or trellises, water features and artwork may exceed a height of two feet when located within three feet of a wall bounding the #public plaza#.

* * *

**37-726
Permitted obstructions**

- (a) #Public plazas# shall be open to the sky and unobstructed except for the following features, equipment and appurtenances normally found in #public parks# and playgrounds: water features, including fountains, reflecting pools and waterfalls; sculptures and other works of art; seating, including benches, seats and moveable chairs; trees, planters, planting beds, lawns and other

landscape features; arbors or trellises; litter receptacles; bicycle racks; tables and other outdoor furniture; lights and lighting stanchions; public telephones; public restrooms; permitted temporary exhibitions; permitted awnings, canopies or marquees; permitted freestanding #signs#; play equipment; ~~exterior wall thickness~~ #qualifying exterior wall thickness# added pursuant to Section 33-23 (Permitted Obstructions in Required Yards or Rear Yard Equivalents); permitted kiosks and open-air cafes; stages; subway station entrances, which may include escalators; and drinking fountains.

* * *

- (b) Permitted obstructions may occupy a maximum percentage of the area of a #public plaza#, as follows:

* * *

Trees planted flush-to-grade in accordance with the provisions of Section 37-742 (Planting and trees) and tree canopies do not count as obstructions for the purpose of calculating total area occupied by permitted obstructions. Planting beds and their retaining walls for trees count as obstructions, except that lawn, turf or grass areas intended for public access and seating shall not count as obstructions, provided such lawns do not differ in elevation from the adjoining #public plaza# elevation by more than six inches. ~~exterior wall thickness~~ #qualifying exterior wall thickness# added pursuant to Section 33-23 in any #publicly accessible open area# or #public plaza# built prior to April 30, 2012, shall not count as obstructions for the purpose of calculating total area occupied by permitted obstructions.

* * *

37-90
PARKING LOTS

* * *

37-92
Landscaping

The provisions of Section 37-921 (Perimeter landscaping) shall apply to open #accessory# off-street parking facilities and #public parking lots# with 18 or more spaces or at least 6,000 square feet in area that front upon a #street#.

The provisions of Section 37-922 (Interior landscaping) shall additionally apply to open #accessory# off-street parking facilities and #public parking lots# with 36 or more spaces or at least 12,000 square feet in area.

However, where more than 75 percent of the parking spaces in such #accessory# off-street parking facility or #public parking lot# will be covered by solar canopies, the requirements of such Sections may be modified by the provisions of Section 37-923 (Alternative compliance for solar canopies).

37-921

Perimeter landscaping

All open parking areas ~~subject to the provisions of this Section with 18 spaces or more or 6,000 square feet or more in area that front upon a #street#~~ shall be screened at the #street line# by a perimeter landscaped area at least seven feet in width measured perpendicular to the #street line#. Such perimeter landscaped area may be interrupted only by vehicular entrances and exits. Walkways may also traverse the perimeter landscaped area in order to provide a direct connection between the public sidewalk and a walkway within or adjacent to the open parking area. In the event a perimeter landscaped area is greater than seven feet in width, the first seven feet adjacent to the open parking area must comply with paragraphs (a) and (b) of this Section. The remainder of the landscaped perimeter area may comply with paragraphs (a) and (b) or be comprised of any combination of grass, groundcover, shrubs, trees or other living plant material.

* * *

37-922

Interior landscaping

All open parking areas ~~subject to the provisions of this Section of 36 or more parking spaces or at least 12,000 square feet in area~~ shall provide at least one tree for every eight parking spaces. Fractions equal to or greater than one-half resulting from this calculation shall be considered to be one tree. Such trees shall be in addition to the trees required in the perimeter screening area. Each such tree shall have a minimum caliper of three inches and be located in a planting island with a minimum area of 150 square feet of pervious surface.

* * *

37-923

Alternative compliance for solar canopies

For open parking areas where solar canopies will cover more than 75 percent of the parking spaces in an #accessory# off-street parking facility or #public parking lot#, or any portion thereof with more than 10 parking spaces, the provisions of Sections 37-921 or 37-922 may be modified as follows:

- (a) the tree planting requirements of paragraph (b)(3) of Section 37-921 (Perimeter landscaping) need not apply where a solar canopy is proposed within 10 feet of a portion of a perimeter landscaped area along a #street# frontage necessitating a tree; and
- (b) the interior landscaping requirements of Section 37-922 (Interior landscaping) need not apply to such portion covered by a solar canopy.

* * *

ARTICLE IV
MANUFACTURING DISTRICT REGULATIONS

42-00
GENERAL PROVISIONS

In order to carry out the purposes and provisions of this Resolution, the #uses# of #buildings or other structures# and the open #uses# of #zoning lots#, or portions thereof, have been classified and combined into Use Groups. A brief statement is inserted at the start of each Use Group to describe and clarify the basic characteristics of that Use Group.

Use Groups 4B, ~~4C~~, 5, 6A, 6B, 7, 8, 9B, ~~9C~~, 10B, ~~10C~~, 11, 12A, 12C, 12D, ~~12E~~, 13, 14, 16, 17 or 18, including each #use# listed separately therein, and certain #uses# listed in Use Groups 3A, 4A, 6C, 9A, 10A or 12B are permitted in #Manufacturing Districts# as indicated in Sections 42-11 to 42-15, inclusive, except that any such #use# which is also an #adult establishment# shall, in addition, be subject to the provisions of Section 42-01 (Special Provisions for Adult Establishments).

* * *

42-10
USES PERMITTED AS-OF-RIGHT

* * *

42-11
Use Groups 4A, 4B, ~~4C~~, 5, 6C, 6E, 7A, 9A and 12B

M1

Use Groups 4B, ~~4C~~, 5, 6C, 6E, 7A, 9A and 12B as set forth in Sections 32-13, 32-14, 32-15, 32-16, 32-18, 32-21.

Use Group 4A shall be limited to all health facilities requiring approval under Article 28 of the Public Health Law of the State of New York that, prior to July 10, 1974, have received approval of Part I of the required application from the Commissioner of Health, ambulatory diagnostic or treatment health care facilities, as listed in Section 22-14 (Use Group 4), and houses of worship. Such #uses# are not subject to the special permit provisions of Sections 42-32 and 74-921.

* * *

42-12
Use Groups 3A, 6A, 6B, 6D, 6F, 7B, 7C, 7D, ~~7E~~, 8, 9B, ~~9C~~, 10A, 10B, ~~10C~~, 11, 12A, 12C, 12D, ~~12E~~, 13, 14 and 16

Honorable Dan Garodnick, Chair
Application No. N 230113 ZRY
November 20, 2023
Page 108 of 192

M1 M2 M3

Use Group 3A shall be limited to museums that are ancillary to existing motion picture production studios or radio or television studios, provided they are located within 500 feet of such studios and do not exceed 75,000 square feet of #floor area#.

Use Groups 6A except that food stores, including supermarkets, grocery stores or delicatessen stores, shall be limited to 10,000 square feet of #floor area# per establishment, 6B, 6D, 6F, 7B, 7C, 7D, ~~7E~~, 8, 9B, ~~9C~~, 10A, 10B, ~~10C~~, 11, 12A, 12C, 12D, ~~12E~~, 13, 14 and 16 as set forth in Sections 32-15 to 32-23, inclusive, and Section 32-25. However, in Community District 1, in the Borough of the Bronx, in M1-4 Districts, food stores, including supermarkets, grocery stores or delicatessen stores, shall be limited to 30,000 square feet of #floor area# per establishment. In addition, the regulations of this Section are modified, where applicable, by the regulations of Section 63-11 (Special Use Regulations for FRESH Food Stores in M1 Districts).

* * *

#Public parking garages# and #public parking lots# shall be subject to select provisions set forth in Article IV, Chapter 4. In the #Manhattan Core#, automobile rental establishments, #public parking garages# and #public parking lots# in Use Groups 8C and 12D are subject to the provisions of Article I, Chapter 3, and in the #Long Island City area#, as defined in Section 16-02 (Definitions), #public parking garages# and #public parking lots# in Use Groups 8C and 12D are subject to the provisions of Article I, Chapter 6.

* * *

42-14
Use Group 17

M1 M2 M3

Use Group 17 consists primarily of #manufacturing# #uses# that:

- (1) can conform to high performance standards by controlling objectionable influences; and
- (2) in so doing, can limit their impact on adjacent residential areas; and
- (3) normally generate a great deal of traffic, both pedestrian and freight.

* * *

C. Miscellaneous #uses#

Agriculture, including greenhouses, nurseries or truck gardens

Composting, open or enclosed

Docks for passenger ocean vessels, other than #gambling vessels#

* * *

D. Special #uses# in M1-5B Districts

M1-5B

* * *

(2) #Commercial# and #manufacturing# #uses# below the floor level of the second #story# provided, in M1-5B Districts, in any #buildings#, only #uses# listed in Use Groups 7, 9, 11, 16, 17A, 17B; or 17C ~~or 17E~~ shall be allowed below the floor level of the second #story# of such #buildings# unless modified by the Chairperson of the City Planning Commission, pursuant to Sections 42-141 or 74-781;

* * *

42-141

Modification by certification of the Chairperson of the City Planning Commission of uses in M1-5B Districts

In M1-5B Districts, the requirements of paragraphs D.(1)(b), D.(1)(c), D.(1)(d) and D.(1)(e) or D.(2) of Section 42-14 (Use Group 17) may be modified by certification of the Chairperson of the City Planning Commission as provided in this Section. A copy of any request for modification under this Section shall be sent by the applicant to the applicable Community Board at least 20 days prior to the next regularly scheduled Community Board meeting. If the Community Board elects to comment on such requests, it must do so within 31 days of such notification.

* * *

(c) The provisions of paragraph D.(2) of Section 42-14 may be modified provided a #use# other than those listed in Use Groups 7, 9, 11, 16, 17A, 17B; or 17C ~~or 17E~~ occupied the #floor area# below the level of the second #story# as of September 1, 1980, and an application under this provision has been filed with the City Planning Commission not later than June 21, 1983.

* * *

42-15

Use Group 18

M3

Use Group 18 consists primarily of industrial #uses# which:

(1) either involve considerable danger of fire, explosion or other hazards to public health or safety, or cannot be designed without appreciable expense to conform to high performance standards with respect to the emission of objectionable influences; and

(2) normally generate a great deal of traffic, both pedestrian and freight.

* * *

B. Storage or miscellaneous #uses#, open or enclosed

Coal or gas storage

Dumps, recycling or material recovery facilities, marine transfer stations for garbage or slag piles

Electric power or steam generating plants

* * *

42-40

SUPPLEMENTARY USE REGULATIONS AND SPECIAL PROVISIONS APPLYING ALONG DISTRICT BOUNDARIES

* * *

42-41

Enclosure of Commercial or Manufacturing Activities

M1 M2 M3

In all districts, as indicated, all commercial or manufacturing activities established by #development#, #enlargement#, #extension# or change of #use#, except storage of materials or products, shall be subject to the provisions of this Section with respect to enclosure, except as otherwise specifically provided in the Use Groups permitted in the district, and in Sections 44-11 (General Provisions) and 44-51 (Permitted Accessory Off-street Loading Berths). With respect to the #enlargement# or #extension# of an existing #use#, such provisions shall apply to the #enlarged# or #extended# portion of such #use#.

#Accessory uses# may be open or enclosed, notwithstanding any limitations on the principal #use#, provided that any open #accessory uses# are customarily found in connection with such principal #use#.

* * *

**Chapter 3
Bulk Regulations**

* * *

43-20

YARD REGULATIONS

* * *

43-23

Permitted Obstructions in Required Yards or Rear Yard Equivalents

In all #Manufacturing Districts#, the obstructions set forth in Section 23-441 (General permitted obstructions), as well as the following obstructions, shall be permitted within a required #yard# or #rear yard equivalent#:

(a) In any #yard# or #rear yard equivalent#:

- (1) ~~Arbors or trellises;~~
- (2) ~~Awnings and other sun control devices, provided that when located at a level higher than the first #story#, excluding a #basement#, all such awnings and other sun control devices:~~
 - (i) ~~shall be limited to a maximum projection from a #building# wall of 2 feet, 6 inches; and~~
 - (ii) ~~shall have solid surfaces that, in aggregate, cover an area no more than 30 percent of the area of the #building# wall (as viewed in elevation) from which they project;~~
- (3) ~~Canopies;~~
- (4) ~~Chimneys, projecting not more than three feet into, and not exceeding two percent of the area of, the required #yard# or #rear yard equivalent#;~~
- (5) ~~Eaves, gutters or downspouts, projecting into such #yard# or #rear yard equivalent# not more than 16 inches or 20 percent of the width of such #yard# or #rear yard equivalent#, whichever is the lesser distance;~~
- (6) ~~Exterior wall thickness, where such wall thickness is added to the exterior face of a #building# wall existing on April 30, 2012, provided the added wall thickness has a thermal resistance (R value) of at least 1.5 per inch, and is limited to one inch of thickness for every foot of existing #yard# width, up to a maximum thickness of eight inches. When an open area is provided along a common #lot line#, then such exterior wall thickness is limited to one inch for every foot of existing open area on the #zoning lot#;~~

~~Where #buildings# that have added exterior wall thickness pursuant to this Section are #enlarged#, such #enlarged# portion may similarly encroach upon required #yards# in order to align with the exterior walls of the existing #building#, provided such #enlargement# contains less #floor area# than the existing #building#, and there is no encroachment of #floor area# into a required #yard#;~~
- (7)(1) Fences;
- (8) ~~Flagpoles;~~

~~(9)(2)~~ Parking spaces for automobiles or bicycles, off-street, open, #accessory#;

~~(10)(3)~~ #Energy infrastructure equipment# and #accessory# mechanical equipment, provided that the height of all equipment shall not exceed a height of 23 feet above #curb level#;

~~Power systems, including, but not limited to, generators, solar energy systems, fuel cells, batteries and other energy storage systems, provided that all equipment shall not exceed a height of 23 feet above #curb level#;~~

~~(11)~~ ~~Solar energy systems on walls existing on April 30, 2012, projecting no more than 10 inches and occupying no more than 20 percent of the surface area of the #building# wall (as viewed in elevation) from which it projects;~~

~~(12)(4)~~ Steps, and ramps or lifts for people with physical disabilities;

~~(13)~~ Terraces or porches, open;

~~(14)(5)~~ Walls, not exceeding eight feet in height and not roofed or part of a #building#.

(b) In any #rear yard# or #rear yard equivalent#:

(1) Any #building# or portion of a #building# used for any permitted #use#, except that any portion of a #building# containing rooms used for living or sleeping purposes (other than a room in a hospital used for the care and treatment of patients, or #joint living-work quarters for artists#) shall not be a permitted obstruction, and provided that the height of such #building# shall not exceed one #story#, excluding #basement#, nor in any event 23 feet above #curb level#. In addition, decks, parapet walls, roof thickness, skylights, vegetated roofs, and weirs, shall be permitted upon such #building#, or portion thereof, pursuant to Section 43-42 (Permitted Obstructions);

~~(2)~~ Breezeways;

~~(3)~~ Fire escapes;

~~(4)(2)~~ Parking spaces for automobiles or bicycles, off-street, #accessory#, provided that the height of an #accessory# #building# used for such purposes and located in a required #rear yard# or #rear yard equivalent# shall not exceed 23 feet above #curb level#; or

(3) Solar energy systems affixed to solar canopies and located over parking spaces associated with #public parking lots#, automobile rental establishments, or commercial or public utility vehicle parking facilities, as permitted, provided that the height shall not exceed 15 feet above the level of the adjoining grade.

~~(5)~~ Solar energy systems on the roof of a #building# permitted as an obstruction to such #yard#;

- (i) ~~up to four feet in height as measured perpendicular to the roof surface when located above a permitted #commercial# or #community facility# #use# or attached parking structure; or~~
 - (ii) ~~shall be limited to 18 inches in height as measured perpendicular to the roof surface when located above a shed or detached parking structure, or on any roof with a slope greater than 20 degrees;~~
- (6) ~~Water conserving devices, required in connection with air conditioning or refrigeration systems in #buildings# existing prior to May 20, 1966, if located not less than eight feet from any #lot line#.~~

However, no portion of a #rear yard equivalent# which is also a required #front yard# or required #side yard# may contain any obstructions not permitted in such #front yard# or #side yard#.

* * *

43-40 HEIGHT AND SETBACK REGULATIONS

* * *

43-42 Permitted Obstructions

In all #Manufacturing Districts#, the obstructions set forth in Section 23-621 (General permitted obstructions), as well as the following obstructions, shall be permitted to penetrate a maximum height limit or a #sky exposure plane# set forth in Sections 43-43 (Maximum Height of Front Wall and Required Front Setbacks), 43-44 (Alternate Front Setbacks) or 43-49 (Limited Height Districts).

- (a) ~~Awnings and other sun control devices, provided that when located at a level higher than the first #story#, excluding a #basement#, all such awnings and other sun control devices:~~
- (1) ~~shall be limited to a maximum projection from a #building# wall of 2 feet, 6 inches, except when located on the first #story# above a setback;~~
 - (2) ~~shall have solid surfaces that, in aggregate, cover an area no more than 30 percent of the area of the #building# wall (as viewed in elevation) from which they project; and~~
 - (3) ~~may rise above the permitted #building# height, up to the height of a parapet wall or guardrail permitted in accordance with this Section.~~

~~When located on the first #story# above a setback, awnings and other sun control devices shall be limited to a projection of 50 percent of the depth of the required setback, and shall be limited, in total, to 50 percent of the width of the #building# wall from which they project;~~

- (b) ~~Building~~ columns, having an aggregate width equal to not more than 20 percent of the ~~aggregate width of street walls~~ of a ~~building~~, to a depth not exceeding 12 inches, in an ~~initial setback distance~~, optional front open area, or any other required setback distance or open area set forth in Sections 43-43, 43-44 or 43-45 (Tower Regulations);
- (c) Chimneys or flues, with a total width not exceeding 10 percent of the ~~aggregate width of street walls~~ of a ~~building~~ at any given level;
- (d) Decks, and other surfaces for recreational activities, not more than 3 feet, 6 inches in height, as measured from the maximum height limit, or the finished level of the roof as it existed on April 30, 2012, whichever is higher;
- (e) Elevator or stair bulkheads (including shafts; and vestibules not larger than 60 square feet in area providing access to a roof), roof water tanks and ~~accessory~~ mechanical equipment (including enclosures), other than solar or wind energy systems, provided that:
 - (1) ~~such obstructions shall be located not less than 10 feet from the street wall of a building, except that such obstructions need not be set back more than 25 feet from a narrow street line or more than 20 feet from a wide street line. However, such restrictions on location shall not apply to elevator or stair bulkheads (including shafts or vestibules), provided the aggregate width of street walls of such bulkheads within 10 feet of a street wall, facing each street frontage, times their average height, in feet, does not exceed an area equal to four times the width, in feet, of the street wall of the building facing such frontage;~~
 - (2) all mechanical equipment shall be screened on all sides;
 - (3) ~~such obstructions and screening are contained within a volume that complies with one of the following:~~
 - (i) ~~the product, in square feet, of the aggregate width of street walls of such obstructions facing each street frontage, times their average height, shall not exceed an area equal to eight times the width, in feet, of the street wall of the building facing such frontage; or~~
 - (ii) ~~the lot coverage of all such obstructions does not exceed 20 percent of the lot coverage of the building, and where the maximum permitted height of a building is less than 120 feet, such obstructions are limited to a maximum height of 25 feet, and where the maximum permitted height of a building is 120 feet or greater, such obstructions are limited to a maximum height of 40 feet.~~

For the purposes of this paragraph, (e), ~~abutting buildings on a single zoning lot~~ may be considered to be a single ~~building~~;

- (a) Elevator or stair bulkheads (including shafts; and vestibules not larger than 60 square feet in area providing access to a roof), roof water tanks, energy infrastructure equipment, and accessory

mechanical equipment (including enclosures), other than solar or wind energy systems (whether #accessory# or as part of #energy infrastructure equipment#), provided that:

- (1) such obstructions shall be located not less than 10 feet from the #street wall# of a #building#, except that such obstructions need not be set back more than 25 feet from a #narrow# #street line# or more than 20 feet from a #wide# #street line#. However, such restrictions on location shall not apply to elevator or stair bulkheads (including shafts or vestibules), provided the #aggregate width of street walls# of such bulkheads within 10 feet of a #street wall#, facing each #street# frontage, does not exceed 30 percent of the #street wall# width of the #building# facing such frontage;
 - (2) the aggregate area of such obstructions, including any required screening, does not exceed 50 percent of the #lot coverage# of the #building#;
 - (3) the height of obstructions within an aggregate area equivalent to at least 20 percent of the #lot coverage# of the #building# shall not exceed 15 feet above the maximum permitted height; and
 - (4) the height of obstructions within the remaining #lot coverage#, not to exceed 30 percent of the #building# shall not exceed:
 - (i) where the maximum permitted height of a #building# is 120 feet or lower, a height of 35 feet above the maximum permitted height;
 - (ii) where the maximum permitted height of a #building# is greater than 120 feet, a height of 55 feet above the maximum permitted height; and
 - (5) all equipment shall be subject to the applicable provisions of Section 37-20 (SPECIAL SCREENING AND ENCLOSURE PROVISIONS);
- (f) ~~Exterior wall thickness, up to eight inches, where such wall thickness is added to the exterior face of a #building# wall existing on April 30, 2012, provided the added wall thickness has a thermal resistance (R value) of at least 1.5 per inch. Where #buildings# that have added exterior wall thickness pursuant to this Section are #enlarged#, such #enlarged# portion may similarly penetrate a maximum height limit in order to align with the exterior walls of the existing #building#, provided such #enlargement# contains less #floor area# than the existing #building#, and there is no penetration of #floor area# above a maximum height limit;~~
- (g) ~~Flagpoles or aerials;~~
- (h)(b) House of worship towers, ornamental, having no #floor area# in portion of tower penetrating such height limit or #sky exposure plane#;
- (i) ~~Parapet walls, not more than four feet in height, as measured from the maximum height limit, or the finished level of the roof as it existed on April 30, 2012, whichever is higher. A guardrail with a surface at least 70 percent open or with an opacity of not more than 30 percent (as viewed in elevation), shall be permitted above a parapet wall or within two feet of a parapet wall, provided~~

~~such guardrail is not more than four feet above the accessible level of a roof. Such restriction on guardrail height shall not apply when located beyond two feet from a parapet wall;~~

- (j) ~~Roof thickness, up to eight inches, to accommodate the addition of insulation, for #buildings# or portions of #buildings# constructed prior to April 30, 2012. For a #building# that has added roof thickness pursuant to this paragraph, (j), an #enlargement# may align with the finished roof surface of such #building#, provided the #enlarged# portion does not exceed the maximum height limit by more than eight inches;~~
- (k)(c) #Qualifying Rooftop greenhouses#, up to 25 feet in height, provided that such obstruction shall be located not less than six feet from the #street wall# of the #building#; permitted pursuant to Section 75-01 (Certification for Rooftop Greenhouses);
- (l) ~~Skylights, clerestories or other daylighting devices, not more than four feet in height, as measured from the maximum height limit, or the finished level of the roof as it existed on April 30, 2012, whichever is higher. Such devices shall be limited to a #lot coverage# not greater than 10 percent of the #lot coverage# of the roof and be located at least eight feet from the #street wall# edge. However, such devices shall not be permitted obstructions above a roof with a slope greater than 20 degrees;~~
- (m) ~~Solar energy systems:~~
- (1) ~~on the roof of a #building#, up to four feet in height, as measured from the maximum height limit, or the finished level of the roof, whichever is higher;~~
- (2) ~~on the roof of a #building#, greater than four feet in height, as measured from the maximum height limit, or the finished level of the roof, whichever is higher, provided that all such portions above four feet are set back at least six feet from a #street wall#, limited to a #lot coverage# not greater than 25 percent of the #lot coverage# of the roof and do not exceed:~~
- (i) ~~a height of 15 feet;~~
- (ii) ~~a height of six feet when located on a bulkhead or other obstruction, pursuant to paragraph (e) of this Section;~~
- (3) ~~on walls existing on April 30, 2012, projecting no more than 10 inches and occupying no more than 20 percent of the surface area of the #building# wall (as viewed in elevation) from which it projects.~~

~~However, any installation on a roof with a slope greater than 20 degrees shall be limited to 18 inches in height, as measured perpendicular to the roof surface;~~

- (n)(d) ~~Spire or belfry;~~
- (o) ~~Vegetated roofs, not more than 3 feet, 6 inches in height, excluding vegetation, as measured from the maximum height limit, or the finished level of the roof as it existed on April 30, 2012,~~

~~whichever is higher. On roofs with slopes greater than 20 degrees, vegetated roofs shall be limited to a height of 12 inches measured perpendicular to such roof surface;~~

~~(p) Weirs, check dams and other equipment for stormwater management, not more than 3 feet, 6 inches in height, as measured from the maximum height limit, or the finished level of the roof as it existed on April 30, 2012, whichever is higher;~~

~~(q)(e) Wind energy systems, #accessory# or as part of #energy infrastructure equipment#, on portions of #buildings# with a height of 100 feet or greater, provided:~~

- ~~(1) the highest point of the wind turbine assembly does not exceed 55 feet;~~
- ~~(2) no portion of the wind turbine assembly is closer than 10 feet to any #lot line#; and~~
- ~~(3) in districts where #residences# or #joint living-work quarters for artists# are permitted as-of-right, by special permit or by authorization, or within 100 feet of such districts, the diameter of the swept area of the rotor does not exceed 15 feet;~~

~~(r) Window washing equipment mounted on a roof;~~

~~(s) Wire, chain link or other transparent fences.~~

* * *

43-60 SUPPLEMENTARY REGULATIONS

* * *

43-62 Bulk Regulations in M1-6D Districts

* * *

43-624 Height and setback in M1-6D Districts

In M1-6D Districts, the height and setback provisions of this Section shall apply to all #buildings#.

(a) Rooftop and permitted obstruction regulations

(1) Permitted obstructions

The provisions of Section 33-42 shall apply to all #buildings#, ~~except that elevator or stair bulkheads, roof water tanks, cooling towers or other mechanical equipment (including enclosures) may penetrate a maximum height limit or #sky exposure plane#, provided that either the product, in square feet, of the #aggregate width of street walls# of~~

~~such obstructions facing each #street# frontage, times their average height, in feet, shall not exceed a figure equal to eight times the width, in feet, of the #street wall# of the #building# facing such frontage; or provided that the #lot coverage# of all such obstructions does not exceed 20 percent of the #lot coverage# of the #building#, and the height of all such obstructions does not exceed 40 feet.~~

In addition, a maximum base height or #sky exposure plane# may be penetrated, as follows:

(i) Structural columns

Structural columns may penetrate a maximum height limit or #sky exposure plane#, provided that such columns are one story or less in height, have a #street wall# no greater than 30 inches in width, and are spaced not less than 15 feet on center.

(ii) Dormers

On any #street# frontage, dormers may be provided in accordance with the provisions of paragraph (c) of Section ~~23-624~~ 23-623 (Permitted obstructions in certain districts).

(2) Screening requirements for mechanical equipment

For all #developments# and #enlargements#, and #conversions# of #non-residential buildings# to #residences#, all mechanical equipment located on any roof of a #building or other structure# shall be subject to the provisions of Section 37-22 (Special Rooftop Screening and Enclosure Regulations) ~~fully screened on all sides. However, no such screening requirements shall apply to water tanks.~~

* * *

Chapter 4
Accessory Off-Street Parking and Loading Regulations

* * *

44-02
Applicability

Except as otherwise provided in this Section, the regulations of this Chapter on permitted or required #accessory# off-street parking spaces apply to #manufacturing#, #commercial# or #community facility# #uses#, as set forth in the provisions of the various Sections. In limited instances certain regulations also apply to #public parking garages# and #public parking lots#.

* * *

44-026

Applicability of regulations to public parking garages and public parking lots

The following provisions of this Chapter shall apply to #public parking garages# and #public parking lots# in addition to #accessory# off-street parking facilities:

<u>Section 44-352</u>	<u>(Restrictions on the use of parking spaces in public parking garages and public parking lots)</u>
<u>Section 44-423</u>	<u>(Calculating floor area in parking facilities with lift systems, or in automated parking facilities)</u>
<u>Section 44-43</u>	<u>(Location of Access to the Street)</u>
<u>Section 44-44</u>	<u>(Surfacing)</u>
<u>Section 44-45</u>	<u>(Screening)</u>
<u>Section 44-47</u>	<u>(Parking Lot Maneuverability and Curb Cut Regulations)</u>

44-03

Definitions

* * *

44-20

REQUIRED ACCESSORY OFF-STREET PARKING SPACES FOR MANUFACTURING, COMMERCIAL OR COMMUNITY FACILITY USES

* * *

44-21

General Provisions

M1 M2 M3

In all districts, as indicated, #accessory# off-street parking spaces, open or enclosed, shall be provided in conformity with the requirements set forth in the table in this Section for all #development# after December 15, 1961, for the #manufacturing#, #commercial# or #community facility# #uses# listed in the table. In addition, all other applicable requirements of this Chapter shall apply as a condition precedent to the #use# of such #development#.

* * *

REQUIRED OFF-STREET PARKING SPACES FOR MANUFACTURING, COMMERCIAL OR COMMUNITY FACILITY USES

Type of #Use#	Parking Spaces Required, in Relation to Specified Unit of Measurement	Districts
---------------	---	-----------

FOR MANUFACTURING OR COMMERCIAL USES		
#Manufacturing# or semi-industrial #uses#. #Uses# in Use Group 17B, 17D, or 18A or 18C, or in PRC-F in Use Group 11 or 16, and with a minimum of either 7,500 square feet of #floor area# or 15 employees.	None required 1 per 1,000 square feet of #floor area# ¹ , or 1 per 3 employees, whichever will require a larger number of spaces	M1-4 M1-5 M1-6 M2-3 M2-4 M3-2 M1-1 M1-2 M1-3 M2-1 M2-2 M3-1
	* * *	

NOTE: PRC = Parking Requirement Category

¹ For predominantly open #manufacturing# #uses#, the #lot area# used for such uses shall be considered as #floor area# for the purposes of these requirements

* * *

44-30
RESTRICTIONS ON LOCATION AND USE OF ACCESSORY OFF-STREET PARKING SPACES

* * *

44-35
Restrictions on Use of Accessory Parking Spaces and Spaces in Public Parking Garages and Public Parking Lots

44-351
Restrictions on Use of Accessory Off-street Parking Spaces use of accessory off-street parking spaces

M1 M2 M3

In all districts, as indicated, #accessory# off-street parking spaces, whether permitted or required and whether open or enclosed, shall be used primarily for the owners, occupants, employees, customers, or visitors of the #use# or #uses# to which such spaces are #accessory#, except as set forth in this Section. In all districts, up to five spaces or 20 percent of all #accessory# off-street parking spaces, whichever is greater, may be allocated to:

- (a) publicly available electric vehicle charging facilities;
- (b) #car sharing vehicles#;
- (c) vehicles stored by automobile rental establishments; or

(d) commercial or public utility vehicle parking for motor vehicles not exceeding a length of 20 feet.

~~#Car sharing vehicles# may occupy #accessory# off-street parking spaces in #group parking facilities# containing 20 spaces or more; however, the number of spaces so occupied shall not exceed 10 percent of all parking spaces in such #group parking facilities#.~~

44-352

Restrictions on use of parking spaces in public parking garages and public parking lots

M1 M2 M3

In all districts, as indicated, off-street parking spaces in #public parking garages# and #public parking lots# may be made available for electric charging, or allocated to #car sharing vehicles#, vehicles stored by automobile rental establishments, or commercial or public utility vehicle parking, only as follows:

- (a) In all districts, all spaces within a #public parking garage# or #public parking lot# may be allocated to publicly available electric vehicle charging facilities.
- (b) In all districts, up to 50 percent of the parking spaces within a #public parking garage# or #public parking lot# may be allocated to:
 - (i) #car sharing vehicles#;
 - (ii) vehicles stored by automobile rental establishments; or
 - (iii) commercial or public utility vehicle parking for motor vehicles not exceeding a length of 20 feet.

44-36

Restrictions on Automotive Repairs and Sale of Motor Fuel

M1 M2 M3

In all districts, as indicated, automotive repairs or the sale of motor fuel, motor oil, or automotive accessories are not permitted in connection with the operation of #accessory# off-street parking spaces. However where such parking spaces are provided in a #building or other structure#, minor automotive repairs (not including body work) are permitted, ~~and not more than three motor fuel pumps may be provided. However, no motor fuel shall be sold to persons who are not using the parking spaces.~~ The provisions of this Section are not applicable to #accessory# off-street parking spaces provided in #public parking garages#.

44-37

Electric Vehicle Charging

Electric vehicle charging facilities shall be permitted at all #accessory# off-street parking spaces. Such charging shall be for the owners, occupants, employees, customers, residents or visitors using such #accessory# parking spaces, except as otherwise permitted by the provisions of Section 44-351 (Restrictions on use of accessory off-street parking spaces).

* * *

44-40

ADDITIONAL REGULATIONS FOR PERMITTED OR REQUIRED OFF-STREET PARKING SPACES

* * *

44-42

Size and Identification of Spaces

44-421

Size of spaces

M1 M2 M3

(a) ~~Size of spaces~~ Minimum maneuvering space

In all districts, as indicated, for all #accessory# off-street parking spaces, open or enclosed, each 300 square feet of unobstructed standing or maneuvering area shall be considered one parking space, except as follows: -

(1) Standard attended facilities

~~However, an~~ An area of less than 300 square feet, but in no event less than 200 square feet, may be considered as one space, where the layout and design of the parking area are adequate to permit convenient access and maneuvering in accordance with regulations promulgated by the Commissioner of the Department of Buildings, or where the applicant for a building permit or certificate of occupancy certifies that such spaces will be fully attended.

In any case where a reduction of the required area per parking space is permitted on the basis of the applicant's certification that such spaces will be fully attended, it shall be set forth in the certificate of occupancy that paid attendants employed by the owners or

operators of such spaces shall be available to handle the parking and moving of automobiles at all times when such spaces are in use.

(2) Attended facilities with parking lift systems

For portions of an attended parking facility with parking lift systems, each individually lifted tray upon which a vehicle is stored shall be considered one parking space. Any other attended space not on a lifted tray shall be subject to the provisions of paragraph (a)(1) of this Section.

(3) #Automated parking facilities#

For #automated parking facilities#, each tray upon which a vehicle is stored shall constitute one parking space. The term “tray” shall refer to the structural support for vehicle storage in both pallet and non-pallet vehicle storage systems.

However, auxiliary parking trays in an #automated parking facility# may be exempted from constituting a parking space where the Commissioner of Buildings determines that such auxiliary parking trays are necessary to store and retrieve vehicles for the efficient operation of such #automated parking facility#.

(b) Driveway access

Driveways used to access required parking spaces must be unobstructed for a width of at least eight feet and a height of eight feet above grade and if connecting to a #street#, such driveway may only be accessed by a curb cut.

~~In any case where a reduction of the required area per parking space is permitted on the basis of the applicant’s certification that such spaces will be fully attended, it shall be set forth in the certificate of occupancy that paid attendants employed by the owners or operators of such spaces shall be available to handle the parking and moving of automobiles at all times when such spaces are in use.~~

(c) Minimum size for each parking space

In no event shall the dimensions of any parking stall be less than 18 feet long and 8 feet, 6 inches wide.

44-422

Identification of car sharing vehicles

(b) ~~Identification of #car sharing vehicles#~~

Within an off-street parking facility that contains #car sharing vehicles#, an information plaque shall be placed at a location accessible to and visible to users of such facility. The plaque shall be fully opaque, non-reflective and constructed of permanent, highly durable materials and shall contain the following statements in lettering no less than one inch high:

- (+)(a) “Total parking spaces in facility:” which shall specify the total number of parking spaces permitted within such parking facility; and
- (-)(b) “Maximum number of car sharing vehicles:” which shall specify the total number of #car sharing vehicles# permitted within such parking facility.

44-423

Calculating floor area in parking facilities with lift systems, or in automated parking facilities

For enclosed #accessory# off-street parking facilities, or #public parking garages#, for the purposes of determining #floor area# in an #automated parking facility#, or an attended parking facility with parking lift systems, each tray upon which a vehicle is stored at a height that exceeds the permitted exemption set forth in the definition of #floor area# in Section 12-10, or as otherwise modified in this Resolution, as applicable, shall be considered #floor area# in an amount of 153 square feet, or the size of such lifted tray, whichever is greater.

* * *

44-44

Surfacing

M1 M2 M3

In all districts, as indicated, all open #accessory# off-street parking spaces or permitted #public parking lots# shall be graded, constructed, surfaced, and maintained so as to provide adequate drainage and to prevent the release of dust, in accordance with rules and regulations promulgated by the Commissioner of Buildings.

Any area intended to be used permanently for an open #accessory# #group parking facility# shall be surfaced with permeable paving materials, asphaltic or Portland cement concrete, or other hard-surfaced dustless material, ~~at least four inches thick. However, permeable paving materials may be used in open parking areas where the Commissioner of Buildings determines that such materials are appropriate.~~

* * *

44-60

BICYCLE PARKING

* * *

However, in no event shall #accessory# bicycle parking spaces be excluded from the calculation of #floor area# in the case of #single-# or #two-family residences# or in the case of #accessory# bicycle parking spaces provided off-site pursuant to Section 36-74 (~~Certification for~~ Off-site Bicycle Parking Spaces).

* * *

ARTICLE V
NON-CONFORMING USES AND NON-COMPLYING BUILDINGS

Chapter 2
Non-Conforming Uses

* * *

52-20
REPAIRS OR ALTERATIONS

* * *

52-22
Structural Alterations

No structural alterations shall be made in a #building or other structure# substantially occupied by a #non-conforming# #use#, except when made:

- (a) in order to comply with requirements of law; or
- (b) in order to accommodate a conforming #use#; or
- (c) in order to conform to the applicable district regulations on performance standards; or
- (d) in the course of an #enlargement# permitted under the provisions of Sections 52-41 to 52-46, inclusive, relating to ~~E~~enlargements or ~~E~~extensions; or
- (e) in the course of an alteration to improve the energy performance of the #building or other structure#, including, but not limited to, the addition of solar energy systems, energy storage systems, or #qualifying exterior wall thickness#;
- (f) or except as set forth in Sections 52-81 to 52-83, inclusive, relating to ~~R~~regulations ~~A~~pplying to ~~N~~on-~~C~~onforming ~~S~~signs.

* * *

52-40
ENLARGEMENTS OR EXTENSIONS

* * *

52-41
General Provisions

A #non-conforming# #use# may be #enlarged# or #extended# within the district in which such #non-conforming# #use# is located only in accordance with the provisions of this Chapter. However, a #non-conforming# #single-# or #two-family residence# in an R3, R4 or R5 District may be #enlarged# or #extended# in accordance with the #bulk# regulations specified for the district in which it is located. Furthermore, #enlargements# or #extensions# designed exclusively to permit conformity with the regulations on performance standards, designed in order to improve energy performance, or designed in order to provide required #accessory# off-street parking spaces or off-street loading berths on the same #zoning lot# as the #use# to which such spaces or berths are #accessory# are not subject to the restrictions set forth herein.

* * *

52-60
DISCONTINUANCE

52-61
General Provisions

* * *

Except in Historic Districts as designated by the Landmarks Preservation Commission, the provisions of this Section shall not apply to vacant ground floor or #basement# stores in #buildings designed for residential use# located in R5, R6 or R7 Districts where the changed or reactivated #use# is listed in Use Group 6A, 6B, or 6C ~~or 6E~~ excluding post offices, veterinary medicine for small animals, automobile supply stores, electrolysis studios and drive-in banks. In addition, the changed or reactivated #use# shall be subject to the provisions of Section 52-34 (Commercial Uses in Residence Districts).

* * *

Chapter 4
Non-Complying Buildings

* * *

54-30
ENLARGEMENTS OR CONVERSIONS

54-31
General Provisions

Except as otherwise provided in ~~Section 54-313~~ this Chapter, a ~~non-complying~~ building or other structure may be ~~enlarged~~ or ~~converted~~, provided that no ~~enlargement~~ or ~~conversion~~ may be made which would either create a new ~~non-compliance~~ or increase the degree of ~~non-compliance~~ of a ~~building~~ or other structure or any portion thereof.

* * *

54-313
Single- or two-family residences with non-complying front yards or side yards

* * *

- (b) In all districts, for an existing ~~single-~~ or ~~two-family~~ residence with a ~~non-complying~~ side yard, an ~~enlargement~~ involving a vertical extension of existing ~~building~~ walls facing such ~~non-complying~~ side yard is permitted, provided the following conditions are met:

* * *

Notwithstanding the provisions set forth in paragraphs (a)(1) and (b)(1) of this Section, when an existing ~~building~~ has added ~~exterior wall thickness~~ qualifying exterior wall thickness pursuant to Section 23-44 (Permitted Obstructions in Required Yards or Rear Yard Equivalents), such vertical extensions may align with the location of the finished exterior ~~building~~ wall of the existing ~~building~~.

* * *

54-42
Use of Alternative Formula

In any case where the applicant alleges that ~~floor area~~ is an inappropriate measure of the extent of damage or destruction, and elects to substitute reconstruction costs for ~~floor area~~, an application may be made to the Board of Standards and Appeals to determine the extent of the damage or destruction. Such a ~~building~~ may be reconstructed as provided in Section 54-41 (Permitted Reconstruction), substituting the ratio which the cost of reconstructing the damaged or destroyed portion of such ~~building~~ bears to the cost of reconstructing the entire ~~building~~, for the percentage of total ~~floor area~~. In determining reconstruction costs, the cost of land shall be excluded.

54-50
MODIFICATIONS TO THE PROVISIONS OF THIS CHAPTER

54-51
Energy Infrastructure or Retrofits

Notwithstanding the other provisions of this Chapter, in all districts, a #development#, #enlargement# or alteration comprised exclusively of the addition of #energy infrastructure equipment#, #accessory# mechanical equipment, or #qualifying exterior wall thickness#, whether to a #building# or to an open area of the #zoning lot#, may create a new #non-compliance# or increase the degree of #non-compliance# of a #building# or other structure#, provided that:

- (a) where locating such equipment in a #non-complying# #open space#, #yard#, #rear yard equivalent#, or #court#, as applicable, such equipment shall comply with the applicable height and area restrictions for the respective open area set forth in the applicable underlying district regulations, as applied to the level and size of the #non-complying# open area;
- (b) where locating such equipment onto the rooftop of a #building# that is #non-complying# with respect to height and setback regulations, such equipment shall comply with the height and area regulations for such permitted obstruction set forth in the applicable underlying district regulations, as applied to the level of the rooftop, inclusive of any #non-compliance# into a required setback area, #yard#, or other required open area;
- (c) at any level, all #energy infrastructure equipment# or #accessory# mechanical equipment will be enclosed or screened in compliance with the applicable provisions for such permitted obstructions; and
- (d) where locating #qualifying exterior wall thickness# into either a #non-complying# #open space#, #yard#, #rear yard#, or # court#, or into a #non-complying# distance between two #buildings# or a #non-complying# distance between a #building# and #lot line#, or in a location not otherwise permitted by underlying #street wall location rules#, such additional encroachment of wall thickness shall not exceed the depth permitted by the underlying permitted obstruction regulations.

* * *

ARTICLE VI
SPECIAL REGULATIONS APPLICABLE TO CERTAIN AREAS

Chapter 2
Special Regulations Applying in the Waterfront Area

* * *

62-10
GENERAL PROVISIONS

62-11
Definitions

Definitions specially applicable to this Chapter are set forth in this Section. The definitions of other defined terms are set forth in Section 12-10 (DEFINITIONS) and Section 64-11 (Definitions).

Development

For the purposes of this Chapter, a “development” shall also include:

- (a) an #enlargement#;
- (b) any alteration that increases the height or coverage of an existing #building or other structure#;
- (c) an #extension#; or
- (d) a change of #use# from one Use Group to another, or from one #use# to another in the same Use Group, or from one #use# listed in Section 62-21 (Classification of Uses in the Waterfront Area) to another such #use#.

However, a #development# shall not include incidental modifications to a #zoning lot#, including but not limited to, the addition of deployable flood control measures and any associated permanent fixtures, the addition of temporary structures such as trash receptacles, food carts or kiosks, and the incorporation of minor permanent structures such as light stanchions, bollards, fences, or structural landscaped berms and any associated flood gates. All such modifications shall remain subject to any associated permitted obstruction allowances, as applicable.

Furthermore, a #development# shall not include the exclusive addition of #energy infrastructure equipment#, #accessory# mechanical equipment, electric vehicle charging facilities, as a primary or #accessory# #use#, or #qualifying exterior wall thickness#, whether added to a #building# or to an open area of the #zoning lot#.

* * *

62-30
SPECIAL BULK REGULATIONS

* * *

62-34
Height and Setback Regulations on Waterfront Blocks

* * *

62-341
Developments on land and platforms

* * *

- (a) For the purposes of applying the height and setback regulations of this Section, the following provisions shall apply:

* * *

- (4) Permitted obstructions

The obstructions permitted pursuant to Sections 23-62, inclusive, 24-51, 33-42 or 43-42 and, where applicable, Sections 64-331, 64-332 or 64-432, shall apply. In addition, the following regulations regarding permitted obstructions shall apply:

- (i) Within an initial setback distance, a dormer may exceed a maximum base height specified in Table A of this Section or penetrate a required setback area above a maximum base height specified in paragraph (d) of this Section, provided that such dormer complies with the provisions of paragraph (c)(1) of Section ~~23-621~~ 23-623.

* * *

62-80
SPECIAL REVIEW PROVISIONS

* * *

62-82
Authorizations by the City Planning Commission

* * *

62-825
Modifications for wind energy systems

In any district, the City Planning Commission may authorize modifications to the applicable bulk or waterfront public access area regulations in order to accommodate wind energy systems, whether accessory or as part of energy infrastructure equipment, provided the Commission finds that:

- (a) there would be a practical difficulty in complying with regulations set forth for wind energy systems as set forth in the underlying district regulations, and as modified by this Chapter, without such modifications;
- (b) such modifications are the minimum necessary to allow for an appropriate wind energy system; and
- (c) the proposed modifications will not alter the essential character of the neighborhood in which the building is located.

The Commission may prescribe appropriate conditions and safeguards to minimize adverse effects on the character of the surrounding area.

62-83
Special Permits by the City Planning Commission

* * *

Chapter 3
Special Regulations Applying to FRESH Food Stores

* * *

63-11
Special Use Regulations for FRESH Food Stores in M1 Districts

In M1 Districts, the regulations of Section 42-12 (Use Groups 3A, 6A, 6B, 6D, 6F, 7B, 7C, 7D, ~~7E~~, 8, 9B, ~~9C~~, 10A, 10B, ~~10C~~, 11, 12A, 12C, 12D, ~~12E~~, 13, 14 and 16) are modified to permit #FRESH food stores# with up to 30,000 square feet of #floor area#. The provisions of this Section shall not apply where the regulations of the underlying district permit Use Group 6A food stores with #floor area# greater than 30,000 square feet.

* * *

Chapter 4
Special Regulations Applying in Flood Zones

* * *

64-30
SPECIAL BULK REGULATIONS

* * *

64-311
Special floor area modifications for all buildings

For all #buildings#, the definition of #floor area# in Section 12-10 (DEFINITIONS) shall be modified in accordance with the provisions of this Section.

- (a) Mechanical equipment

~~In R1-2A, R2A, R2X, R3, R4 or R5 Districts, the limitations on exempting #floor area# for mechanical equipment set forth in paragraphs (m) and (8) in the definition of #floor area# in Section 12-10 (DEFINITIONS), shall not apply, provided that all mechanical equipment is located at or above the #flood resistant construction elevation#.~~

~~(b)~~ (a) Flood control devices

In all districts, for every linear foot of protection by temporary flood control devices and associated fixtures, including emergency egress systems that are assembled prior to a storm and removed thereafter, up to 15 square feet of floor space used for the storage of such devices may be excluded from the definition of #floor area#, provided that in no event shall such exempted floor space exceed 1,000 square feet.

~~(e)~~ (b) Buildings containing non-#residential uses#

* * *

64-312

Permitted obstructions in required yards, courts, and open spaces for all zoning lots

The regulations for permitted obstructions in #yards#, #courts# and #open space# shall be modified in accordance with the provisions of this Section.

(a) Mechanical equipment

[THE ALLOWANCE FOR MECHANICAL EQUIPMENT TO BE LOCATED IN THE SAME PLACES AS POWER SYSTEMS, AS WELL, AS THE ACCOMPANYING ENCLOSURE AND SCREENING REQUIREMENTS, ARE BEING RELOCATED TO THE RELEVANT SECTIONS OF THE UNDERLYING DISTRICT REGULATIONS.]

~~In all districts, the underlying allowances for #accessory# power systems as permitted obstructions in any #open space#, #yard#, #rear yard equivalent#, or #court#, may be expanded to include all and #accessory# mechanical equipment, provided that shall be modified so that~~

~~(1) — all equipment shall be subject to the following enclosure and screening requirements, as applicable:~~

~~(i) — all power system equipment shall be enclosed within a #building or other structure#, or screened, as applicable, pursuant to the requirements set forth in the applicable underlying district allowances;~~

~~(ii) — all other types of equipment, including all mechanical, electrical and plumbing equipment, shall be completely enclosed within a #building or other structure#, except as necessary for mechanical ventilation; and~~

~~(2) — the size and location of all #accessory# mechanical equipment, including all screening and enclosures containing such equipment, shall not exceed the size limitations specified in the underlying allowances, except that, where such~~

In all districts, where such #energy infrastructure equipment# or #accessory# mechanical equipment is elevated above the #flood-resistant construction elevation#, the underlying permitted obstruction regulations for such equipment permitted size and location of such #accessory# mechanical equipment may be modified as follows:

~~(i)(1)~~ (i)(1) where any equipment is required to be located at least five feet from any #lot line#, such distance may be reduced to three feet for #zoning lots# that have less than the prescribed minimum #lot area# or #lot width# required by the applicable district regulations;

~~(ii)(2)~~ (ii)(2) the maximum height of such permitted obstructions for the applicable district:

~~(a)(i)~~ (a)(i) may be measured from the #reference plane# instead of the level of the adjoining grade or #curb level#, as applicable; or

~~(b)(ii)~~ (b)(ii) for #zoning lots# containing #residences# and a #lot area# greater than or equal to one and one-half acres, may exceed the applicable height limitations, provided that:

~~(1)(a)~~ (1)(a) such equipment is contained within a #building or other structure# that is located at least 30 feet from any #legally required window#;

~~(2)(b)~~ (2)(b) any stack associated with heating, ventilation, and air conditioning (HVAC) systems exhausts at a height at least as tall as the tallest #building# containing #residences# on the #zoning lot#; and

~~(3)(c)~~ (3)(c) such #building or other structure# complies with one point of the streetscape mitigations set forth in Section 64-52 (Ground floor level mitigation options); and

~~(iii)(3)~~ (iii)(3) the maximum area that such equipment may occupy within a required #side yard#, #rear yard# or #rear yard equivalent#, or any #court# containing #legally required windows# need not apply where the height of such obstructions do not exceed the applicable underlying height allowances, as modified by the provisions of paragraph (a)(2)(i)(ii)(a) of this Section.

(b) Berms

In all districts, structural landscaped berms and associated flood gates, including emergency egress systems that are assembled prior to a storm and removed thereafter, shall be permitted obstructions in any required #open space#, #yard# or #rear yard equivalent# on the #zoning lot#,

provided that the height of such berm does not exceed the highest #flood-resistant construction elevation# required on the #zoning lot#, or five feet above the lowest adjoining grade, whichever is higher.

(c) Flood control devices

In all districts, temporary flood control devices and associated permanent fixtures, including emergency egress systems that are assembled prior to a storm and removed thereafter shall be permitted obstructions in #yards# and #rear yard equivalents#, #courts#, #open space#, #public plazas#, #arcades#, pedestrian circulation spaces and all other publicly accessible open spaces. However, permanent fixtures for self-standing flood control devices installed in #publicly accessible open areas#, #arcades#, and pedestrian circulation spaces shall be flush-to-grade.

(d) Steps

In all #Residence Districts#, the provisions of paragraph (a)(17) of Section 23-44 (~~Permitted Obstructions in Required Yards or Rear Yard Equivalents~~)(8) of Section 23-442 (Additional permitted obstructions) shall be modified to allow steps within a required #yard# or #rear yard equivalent#, provided that such steps access any #story# located at or below the #first story above the flood elevation#.

64-313
Special height and setback regulations for all buildings

The regulations for permitted obstructions to applicable height and setback regulations shall be modified in accordance with the provisions of this Section.

~~(a) Bulkheads and mechanical equipment in low density #Residence Districts#~~

~~In R3-2, R4, and R5 Districts, except R4-1, R4A, R4B and R5A Districts, for #buildings# other than #single # and #two family residences#, the underlying permitted obstructions regulations governing elevator or stair bulkheads (including shafts, and vestibules not larger than 60 square feet in area providing access to a roof), roof water tanks, and #accessory# mechanical equipment, other than solar or wind energy systems, may be modified as follows:~~

~~(1) In R3-2 and R4 Districts, for #buildings#, or portions thereof, subject to the provisions of Article II, Chapter 3, the provisions of Section 23-621 (Permitted obstructions in certain districts) shall be modified to permit such obstructions, provided that:~~

~~(i) such obstructions shall be located not less than 10 feet from the #street wall# of a #building#;~~

~~(ii) all mechanical equipment shall be screened on all sides;~~

- (iii) ~~the #lot coverage# of all such obstructions and such screening shall not exceed 250 square feet or 10 percent of the #lot coverage# of the #building#, whichever is greater; and~~
 - (iv) ~~such obstructions are limited to a height of 15 feet above the maximum height of perimeter walls;~~
 - (2) ~~In R3 2 and R4 Districts, for #buildings#, or portions thereof, subject to the provisions of Article II, Chapter 4, the provisions of paragraph (f) of Section 24 51 (Permitted Obstructions) shall apply, except that the maximum #lot coverage# may be increased from 20 percent to 30 percent of the #lot coverage# of the #building#, provided that such obstructions are limited to a maximum height of 25 feet;~~
 - (3) ~~In R5 Districts, the provisions of paragraph (g) of Section 23 62 (Permitted Obstructions), and paragraph (f) of Section 24 51 shall apply, as applicable, except that the maximum #lot coverage# may be increased from 20 percent to 30 percent of the #lot coverage# of the #building#, provided that such obstructions are limited to a maximum height of 25 feet.~~
- (b) ~~Bulkheads and mechanical equipment in medium and high density #Residence Districts#, and #Commercial# and #Manufacturing Districts#~~

~~In R6 through R10 Districts, and in all #Commercial# and #Manufacturing Districts#, the underlying permitted obstructions regulations of paragraph (g) of Section 23 62, paragraph (f) of Section 24 51, paragraph (f) of Section 33 42, or paragraph (e) of Section 43 42, as applicable, governing elevator or stair bulkheads (including shafts, and vestibules not larger than 60 square feet in area providing access to a roof), roof water tanks, and #accessory# mechanical equipment, other than solar or wind energy systems, may be modified as follows:~~

- (1) ~~where the maximum permitted height of a #building#, or portion thereof is less than 120 feet:~~
 - (i) ~~the maximum #lot coverage# may be increased from 20 percent to 30 percent of the #lot coverage# of the #building#, provided that such obstructions are limited to a maximum height of 25 feet; or~~
 - (ii) ~~the maximum permitted height of such volume may be increased from 25 feet to 33 feet, provided that the #lot coverage# of all such obstructions does not exceed 20 percent of the #lot coverage# of the #building#;~~
- (2) ~~where the maximum permitted height of a #building#, or portion thereof is 120 feet or greater:~~
 - (i) ~~the maximum #lot coverage# may be increased from 20 percent to a maximum #lot coverage# of 30 percent of the #lot coverage# of the #building#, provided that such obstructions are limited to a maximum height of 40 feet; or~~

(ii) ~~the maximum permitted height of such volume may be increased from 40 feet to 55 feet, provided that the #lot coverage# of all such obstructions does not exceed 20 percent of the #lot coverage of the #building#.~~

(e)

For #Quality Housing buildings#, or portions thereof, as an alternative to the provisions of paragraph (c) of Section ~~23-621~~ 23-623, dormers may be a permitted obstruction within a required front setback distance above a maximum base height, provided that the aggregate width of all dormers at the maximum base height does not exceed 40 percent of the width of the #street wall# of the highest #story# entirely below the maximum base height. Such dormers need not decrease in width as the height above the maximum base height increases.

**64-32
Special Bulk Regulations for Flood-resistant Buildings**

* * *

**Chapter 6
Special Regulations Applying Around Mass Transit Stations**

* * *

**66-20
SPECIAL PROVISIONS FOR PRIMARY TRANSIT-ADJACENT SIREs**

* * *

**66-23
Special Bulk Regulations**

* * *

**66-234
Special height and setback modifications**

The height and setback modifications of this Section shall apply as follows:

(a) Permitted obstructions

(1) #Easement volumes#

Any portion of an #easement volume# shall be considered a permitted obstruction within a required setback or above any maximum base height, maximum #building# height, or #sky exposure plane# set forth in height and setback regulations of this Resolution. Any

#easement volume#, including any #use# or structure therein, shall be located at least 30 feet from any #legally required window# at the same level on the #zoning lot#.

(2) Dormers

For #Quality Housing buildings#, as an alternative to the provisions of paragraph (c) of Section ~~23-621~~ 23-623, dormers may be a permitted obstruction within a required front setback distance above a maximum base height, provided that the aggregate width of all dormers at the maximum base height does not exceed 40 percent of the width of the #street wall# of the highest #story# entirely below the maximum base height. Such dormers need not decrease in width as the height above the maximum base height increases. For the purposes of this paragraph, the width of the #street wall# shall be determined pursuant to the provisions of paragraph (a) of Section ~~234~~ 66-233 (Special street wall modifications).

* * *

ARTICLE VII
ADMINISTRATION

* * *

Chapter 3
Special Permits by the Board of Standard of Appeals

* * *

73-14
Public Service Establishments

In all #Residence Districts#, the Board of Standards and Appeals may permit the #uses# set forth in paragraph (a) of this Section, provided that the findings set forth in paragraph (b) are met.

(a) The Board may permit the following #uses#:

~~e~~Electric or gas utility substations, limited in each case to a site of not more than 10,000 square feet;_;

~~p~~Potable water pumping stations; _{or}

~~t~~Telephone exchanges or other communications equipment structures; _{or}

#Energy infrastructure equipment#, without size restriction.

~~provided that the following findings are made:~~

(b) In order to grant such permit, the Board shall find:

- (1) that such #use# will serve the residential area within which it is proposed to be located;
- (2) that there are serious difficulties in locating it in a district wherein it is permitted as of right and from which it could serve the residential area, which make it necessary to locate such #use# within a #Residence District#; and
- (3) in the case of such electric or gas utility substations or potable water pumping stations, that the site for such #use# has a minimum #lot area# of 4,500 square feet.

The Board may prescribe appropriate conditions or safeguards to minimize adverse effects on the character of the surrounding area, ~~including requirements that electric utility substations shall meet the performance standards for an M1 District; that such electric or gas utility substations or potable water pumping stations shall be surrounded with fences, barriers, or other safety devices; or that any such #use# shall be landscaped.~~

* * *

73-65
Public Utilities and Special Infrastructure

73-651
Enlargement of Ppublic Uutility Ffacilities

The Board of Standards and Appeals may permit modifications to the #bulk# regulations for certain #enlargements# of public utility facilities set forth in paragraph (a) of this Section, provided that the findings set forth in paragraph (b) are met.

(a) The Board may permit an #enlargements# which does do not comply with the applicable district #bulk# regulations for any #buildings# or other structures# existing on December 15, 1961, within which any one of the following public utilities is located:

Electric or gas utility substations;

Telephone exchanges or other communications equipment structures;

Water or sewage pumping stations; or

#Energy infrastructure equipment#.

(b) In order to grant such permit, the Board shall find:

~~provided that the following findings are made:~~

- ~~(a)(1)~~ that the growth of the utility service demand in the area served by the #building# or other structure# requires such #enlargement# to house the additional facilities needed to fulfill the demand;
- ~~(b)(2)~~ that the network of lines, pipes or other distribution facilities located below the surface of the #streets# is so integrated with the operations carried on within such #building# that the provision of such additional facilities at another location would cause substantial duplication of plant and facilities and inconvenience to the public; and
- ~~(c)(3)~~ that #non-compliance#, if any, with the applicable #yard# or height and setback regulations is the minimum made necessary by essential engineering requirements.

The Board may prescribe appropriate conditions and safeguards to minimize adverse effects on the character of the surrounding area and shall require that the certificate of occupancy shall be limited to such #use#.

73-652

Energy infrastructure equipment and mechanical equipment

The Board of Standards and Appeals may permit the #bulk# modifications set forth in paragraph (a) of this Section, provided that the findings set forth in paragraph (b) are met.

- (a) The Board may permit modifications to all #bulk# regulations, other than #floor area ratio#, in order to accommodate #energy infrastructure equipment# or #accessory# mechanical equipment.
- (b) In order to grant such permit, the Board shall find that:
 - (1) such modifications would facilitate one or more of the following sustainability goals:
 - (i) reduction of the electrical demand of the #building# on the energy grid;
 - (ii) increased energy generation or storage at an essential location for the purposes of operating the energy grid;
 - (iii) support compliance with the standards of the New York City Energy Conservation Code (NYCECC); or
 - (iv) support compliance with the carbon emission reduction requirements of Local Law 97 of 2019;

- (2) such modifications are the minimum necessary to allow for an appropriate installation, with consideration for collocation of other #uses#, whether upon a rooftop, within a #building or other structure#, or in an open area on the #zoning lot#; and
- (3) the proposed modifications will not impair the character or the future use or development of the surrounding area.

The Board may prescribe appropriate conditions and safeguards to minimize adverse effects on the character of the surrounding area.

**73-66
Height Regulations Around Airports**

* * *

**Chapter 5
Certifications**

**75-00
CERTIFICATIONS**

**75-01
Certification for Rooftop Greenhouses**

~~A rooftop greenhouse shall be excluded from the definition of #floor area# and may exceed #building# height limits, upon certification by the Chairperson of the City Planning Commission that such rooftop greenhouse:~~

- ~~(a) is located on the roof of a #building# that does not contain #residences# or other #uses# with sleeping accommodations;~~
- ~~(b) will only be used for cultivation of plants, or primarily for cultivation of plants when #accessory# to a #community facility use#;~~
- ~~(c) is no more than 25 feet in height;~~
- ~~(d) has roofs and walls consisting of at least 70 percent transparent materials, except as permitted pursuant to paragraph (f)(3) of this Section;~~
- ~~(e) where exceeding #building# height limits, is set back from the perimeter wall of the #story# immediately below by at least six feet on all sides; and~~
- ~~(f) has been represented in plans showing:~~

- (1) ~~the area and dimensions of the proposed greenhouse, the location of the existing or proposed #building# upon which the greenhouse will be located, and access to and from the #building# to the greenhouse;~~
- (2) ~~that the design of the greenhouse incorporates a rainwater collection and reuse system; and~~
- (3) ~~any portions of the greenhouse dedicated to office or storage space #accessory# to the greenhouse, which shall be limited to 20 percent of the floor space of the greenhouse, and shall be exempt from the transparency requirement in paragraph (d) of this Section.~~

~~Plans submitted shall include sections and elevations, as necessary to demonstrate compliance with the provisions of paragraphs (a) through (f) of this Section, as applicable. A copy of the proposed rooftop greenhouse plan shall be delivered to the affected Community Board, which may review such proposal and submit comments to the Chairperson of the Commission. The certification of a rooftop greenhouse shall not be complete until the earlier of the date that the affected Community Board submits comments regarding such proposal to the Chairperson of the Commission or informs the Chairperson that such Community Board has no comments; or 45 days from the date that such proposal was submitted to the affected Community Board.~~

~~No building permits or certificates of occupancy related to the addition of #residences# or other #uses# with sleeping accommodations within the #building# may be issued by the Department of Buildings unless and until such rooftop greenhouse has been fully dismantled. A Notice of Restrictions shall be recorded for the #zoning lot# providing notice of the certification pursuant to this Section. The form and contents of the legal instrument shall be satisfactory to the Chairperson of the City Planning Commission, and the filing and recording of such instrument shall be a precondition to the use of such rooftop greenhouse. The recording information for the rooftop greenhouse certification shall be referenced on the first certificate of occupancy to be issued after such notice is recorded, as well as all subsequent certificates of occupancy, for as long as the rooftop greenhouse remains intact.~~

* * *

Chapter 8 Special Regulations Applying to Large-Scale Residential Developments

* * *

78-00 GENERAL PURPOSES, DEFINITIONS AND GENERAL PROVISIONS

* * *

78-06 Ownership

* * *

(b) Notwithstanding the provisions of paragraph (a) of this Section, the following actions shall be permitted:

* * *

(3) The owner(s) of a developed parcel(s) within a #large-scale residential development# located in a former urban renewal area listed in paragraph (b)(2), where at least 50 percent of such parcel(s) is located within a C1-9 or C2-8 District, may make application for, and may be granted, modifications of authorizations or special permits previously granted under the provisions of this Chapter, in order to utilize available #floor area# for #commercial# or #community facility# #uses#, subject to the conditions of paragraph (b)(5) of this Section and provided further that:

- (i) no #residential use# existing prior to July 23, 2008, located above the level of the ground floor may be changed to a non-#residential use#;
- (ii) the #enlarged# portion of the #building# shall be restricted to #community facility# #uses# and #commercial# #uses# listed in Use Groups 6A, and 6C ~~and 6E~~, provided that any ground floor #community facility# #use#, and any bank or loan office shall occupy not more than 25 feet of the #wide street# frontage, measured to a depth of 30 feet from the #wide# #street line#, and no #community facility# #use# shall be permitted above the level of the second #story# ceiling;

* * *

78-22
Accessory Uses in Large-Scale Residential Developments

A #large-scale residential development# in a #Residence District# may contain as #accessory# #uses#, any #commercial# #uses# listed in Use Group 6A ~~or 6E~~ which in the aggregate occupy not more than two percent of the total #floor area# in the #large-scale residential development#, and of which no single establishment occupies more than 15,000 square feet of #floor area#, provided that upon a review of the site plan, the City Planning Commission finds that such #commercial# #uses#:

* * *

78-35
Special Bonus Provisions

* * *

78-353
Bonus for enclosed parking

In R4 or R5 Districts, or in #Commercial Districts# in which #residential buildings# are governed by the #bulk# regulations of such #Residence Districts#, for any #large-scale residential development# which complies with the provisions of Section 78-34 (Special Permit Provisions for Certain Large-scale

Developments), the permitted #residential# #floor area ratio# may be increased over the amount earned by other provisions of Section 78-35 (Special Bonus Provisions) and the required #open space ratio# for the #large-scale residential development# as a whole correspondingly decreased as set forth in this Section provided that at least two-thirds of the required off-street parking is enclosed.

District	Increase in #Floor Area Ratio#	Decrease in #Open Space Ratio#
R4	.25	14.5
R5	.25	10.0

For any #large-scale residential developments# comprising #buildings# of not more than four #stories# receiving a bonus under this Section, the Commission may modify where appropriate the requirements of Section 23-12 (Permitted Obstructions in Open Space), paragraph (e) (c).

* * *

ARTICLE VIII
SPECIAL PURPOSE DISTRICTS

* * *

Chapter 1
Special Midtown District

* * *

81-25
General Provisions Relating to Height and Setback of Buildings

* * *

81-252
Permitted obstructions

Except as set forth in this Section, structures which under the provisions of Sections 33-42 or 43-42 (Permitted obstructions) or 34-11 or 35-10 (GENERAL PROVISIONS), are permitted to penetrate a maximum height limit or a #sky exposure plane# shall not be permitted as exceptions to the height limitations, setback requirements or rules for the measurement of #encroachments# or #compensating recesses# set forth in Section 81-26 (Height and Setback Regulations—Daylight Compensation), nor shall they be excluded in determining daylight blockage pursuant to the provisions of Section 81-27 (Alternate Height and Setback Regulations—Daylight Evaluation).

The following shall be permitted as exceptions to the height regulations, setback requirements or rules for the measurement of #encroachments# or #compensating recesses#, set forth in Section 81-26, and shall be excluded in determining daylight blockage, pursuant to the provisions of Section 81-27:

- (a) unenclosed balconies conforming to the provisions of Section 23-13 (Balconies); and
- (b) ~~#qualifying exterior wall thickness#, exterior wall thickness, up to eight inches, where such wall thickness is added to the exterior face of a #building# wall existing on April 30, 2012, provided the added wall thickness has a thermal resistance (R-value) of at least 1.5 per inch. Where~~ where #buildings# that have added exterior wall thickness pursuant to this Section are #enlarged#, such #enlarged# portion may similarly penetrate a maximum height limit in order to align with the exterior walls of the existing #building#, provided such #enlargement# contains less #floor area# than the existing #building#, and there is no penetration of #floor area# above a maximum height limit.

* * *

Chapter 2
Special Lincoln Square District

* * *

82-40
SPECIAL HEIGHT LIMITATION

On Block 1 or 2, as indicated on the District Plan in Appendix A of this Chapter, the maximum height of a #building or other structure# shall not exceed 275 feet above #curb level#, except that a penthouse may be located above such height, provided that such penthouse:

- (1) contains not more than four #stories# or 40 feet, whichever is less; and
- (2) the gross area of each #story# does not exceed 80 percent of the gross area of that #story# directly below it.

The underlying allowances for permitted obstructions above such maximum height limit shall apply.

* * *

Chapter 4
Special Battery Park City District

* * *

84-10
ZONE A GENERAL DISTRICT REGULATIONS

* * *

84-13
Bulk Regulations

* * *

84-135
Limited height of buildings

For the purposes of this Section, the term “#buildings#” shall include #buildings or other structures#. No portion of any #building# may be built to a height greater than 85 feet above #curb level#, except that:

* * *

- (c) ~~Sections 23-62 and 33-42 (Permitted obstructions) are hereby made inapplicable.~~ Any portion of a #building# that exceeds an established height limit shall be subject to the following provisions:
- (1) ~~The obstructions set forth in Sections 23-62 and 33-42, as applicable, along with heliostats, may following shall not be considered obstructions and may thus penetrate a maximum height limit:~~
- ~~(i) Chimneys or flues, with a total width not exceeding 10 percent of the #aggregate width of street walls# of a #building# at any level;~~
 - ~~(ii) Elevator or stair bulkheads, roof water tanks, cooling towers and #accessory# mechanical equipment (including enclosure walls), pursuant to Section 33-42;~~
 - ~~(iii) Decks, and other surfaces for recreational activities, not more than 3 feet, 6 inches in height, as measured from the maximum height limit, or the finished level of the roof as it existed on April 30, 2012, whichever is higher;~~
 - ~~(iv) External wall thickness, pursuant to Section 33-42;~~
 - ~~(v) Flagpoles and aerials;~~
 - ~~(vi) Heliostats and wind energy systems;~~
 - ~~(vii) Parapet walls, not more than four feet high in height, as measured from the maximum height limit, or the finished level of the roof as it existed on April 30, 2012, whichever is higher. A guardrail with a surface at least 70 percent open or with an opacity of not more than 30 percent (as viewed in elevation), shall be permitted above a parapet wall or within two feet of a parapet wall, provided such guardrail is not more than four feet above the accessible level of a roof. Such restriction on guardrail height shall not apply when located beyond two feet from a parapet wall;~~

- (viii) ~~Roof thickness, up to eight inches, to accommodate the addition of insulation, for #buildings# or portions of #buildings# constructed prior to April 30, 2012. For a #building# that has added roof thickness pursuant to this paragraph, (e)(1)(viii), an #enlargement# may align with the finished roof surface of such #building#, provided the #enlarged# portion does not exceed the maximum height limit by more than eight inches;~~
 - (ix) ~~Rooftop greenhouses, permitted pursuant to Section 75-01 (Certification for Rooftop Greenhouses);~~
 - (x) ~~Skylights, clerestories or other daylighting devices, not more than four feet in height, as measured from the maximum height limit, or the finished level of the roof as it existed on April 30, 2012, whichever is higher. Such devices shall be limited to a #lot coverage# not greater than 10 percent of the #lot coverage# of the roof and be located at least eight feet from the #street wall# edge. However, such devices shall not be permitted obstructions above a roof with a slope greater than 20 degrees;~~
 - (xi) ~~Solar energy systems:
 - (1) ~~on the roof of a #building#, up to four feet in height, as measured from the maximum height limit, or the finished level of the roof, whichever is higher;~~
 - (2) ~~on the roof of a #building#, greater than four feet in height, as measured from the maximum height limit, or the finished level of the roof, whichever is higher, provided that all such portions above four feet are set back at least six feet from a #street wall#, limited to a #lot coverage# not greater than 25 percent of the #lot coverage# of the roof and do not exceed a height of 15 feet, or when located on a bulkhead or other obstruction pursuant to paragraph (f) of Section 33-42, do not exceed a height of six feet;~~
 - (3) ~~on walls existing on April 30, 2012, projecting no more than 10 inches and occupying no more than 20 percent of the surface area of the #building# wall (as viewed in elevation) from which it projects.~~~~
- ~~However, any installation on a roof with a slope greater than 20 degrees shall be limited to 18 inches in height, as measured perpendicular to the roof surface;~~
- (xii) ~~Vegetated roofs, not more than 3 feet, 6 inches in height, excluding vegetation, as measured from the maximum height limit, or the finished level of the roof as it existed on April 30, 2012, whichever is higher. On roofs with slopes greater than 20 degrees, vegetated roofs shall be limited to a height of 12 inches measured perpendicular to such roof surface;~~

~~(xiii) Weirs, check dams and other equipment for stormwater management, not more than 3 feet, 6 inches in height, as measured from the maximum height limit, or the finished level of the roof as it existed on April 30, 2012, whichever is higher;~~

~~(xiv) Wire, chain link or other transparent fences.~~

(2) The maximum permitted size of enclosure walls surrounding elevator or stair bulkheads, roof water tanks, cooling towers and #accessory# mechanical equipment may be increased by authorization of the City Planning Commission, provided the Commission finds that:

(i) the width of such additional enclosure wall at each #building# face does not exceed 80 percent of the width of the enclosure wall as allowed in paragraph (e)(1) of this Section;

(ii) the additional area of the enclosure wall at each #building# face is not more than 50 percent of the area permitted as-of-right; and

(iii) the enclosure wall is compatible with the #building# and the urban design goals of the Special District and complements the design by providing a decorative top; and

(f) in #special height locations# in Appendices 2.2 and 3.2 of this Chapter, no portion of a #building#, including permitted obstructions, shall exceed a height of 450 feet above #curb level#.

* * *

84-30
ZONE C

* * *

84-33
Bulk Regulations

* * *

84-333
Limited height of buildings

The maximum height of any #building or other structure#, or portion thereof, shall not exceed 400 feet on any portion of subzone C-1 shown as a #special height location# in Appendix 3.2 of this Chapter, except that permitted obstructions, pursuant to Section 33-42, shall be allowed to penetrate a maximum height limit.

Honorable Dan Garodnick, Chair
Application No. N 230113 ZRY
November 20, 2023
Page 148 of 192

The maximum height of any #building or other structure#, or any portion thereof, located within subzone C-2 shall not exceed 180 feet above #curb level#, except that:

- (a) the maximum height of any #building or other structure#, or portion thereof, shown as a #special height location#, shall not exceed the height set forth in Appendix 3.2; and
- (b) ~~Sections 23-62 and 33-42 (Permitted obstructions) are hereby made inapplicable.~~ Any portion of a #building or other structure# that exceeds an established height limit shall be subject to the following provisions:
 - (1) ~~The obstructions set forth in Section 23-62, inclusive, and 33-42, as applicable, may following shall not be considered obstructions and may thus penetrate a maximum height limit.;~~
 - (i) ~~Chimneys or flues, with a total width not exceeding 10 percent of the #aggregate width of street walls# or a #building# at any level;~~
 - (ii) ~~Decks, and other surfaces for recreational activities, not more than 3 feet, 6 inches in height, as measured from the maximum height limit, or the finished level of the roof as it existed on April 30, 2012, whichever is higher;~~
 - (iii) ~~Elevator or stair bulkheads, roof water tanks, cooling towers or other #accessory# mechanical equipment (including enclosure walls), pursuant to Section 33-42;~~
 - (iv) ~~Fences, wire, chain link or other transparent type;~~
 - (v) ~~Flagpoles and aerials;~~
 - (vi) ~~Parapet walls, not more than four feet in height, as measured from the maximum height limit, or the finished level of the roof as it existed on April 30, 2012, whichever is higher. A guardrail with a surface at least 70 percent open or with an opacity of not more than 30 percent (as viewed in elevation), shall be permitted above a parapet wall or within two feet of a parapet wall, provided such guardrail is not more than four feet above the accessible level of a roof. Such restriction on guardrail height shall not apply when located beyond two feet from a parapet wall;~~
 - (vii) ~~Roof thickness, up to eight inches, to accommodate the addition of insulation, for #buildings# or portions of #buildings# constructed prior to April 30, 2012. For a #building# that has added roof thickness pursuant to this paragraph, (b)(1)(vii), an #enlargement# may align with the finished roof surface of such #building#, provided the #enlarged# portion does not exceed the maximum height limit by more than eight inches;~~
 - (viii) ~~Rooftop greenhouses, permitted pursuant to Section 75-01 (Certification for Rooftop Greenhouses);~~

~~(ix) — Skylights, clerestories or other daylighting devices, not more than four feet in height, as measured from the maximum height limit, or the finished level of the roof as it existed on April 30, 2012, whichever is higher. Such devices shall be limited to a #lot coverage# not greater than 10 percent of the #lot coverage# of the roof and be located at least eight feet from the #street wall# edge. However, such devices shall not be permitted obstructions above a roof with a slope greater than 20 degrees;~~

~~(x) — Solar energy systems:~~

~~(a) — on the roof of a #building#, up to four feet in height, as measured from the maximum height limit, or the finished level of the roof, whichever is higher;~~

~~(b) — on the roof of a #building#, greater than four feet in height, as measured from the maximum height limit, or the finished level of the roof, whichever is higher, provided that all such portions above four feet are set back at least six feet from a #street wall#, limited to a #lot coverage# not greater than 25 percent of the #lot coverage# of the roof and do not exceed a height of 15 feet, or when located on a bulkhead or other obstruction pursuant to paragraph (f) of Section 33-42, do not exceed a height of six feet;~~

~~(c) — on walls existing on April 30, 2012, projecting no more than 10 inches and occupying no more than 20 percent of the surface area of the #building# wall (as viewed in elevation) from which it projects.~~

~~However, any installation on a roof with a slope greater than 20 degrees shall be limited to 18 inches in height, as measured perpendicular to the roof surface;~~

~~(xi) — Vegetated roofs, not more than 3 feet, 6 inches in height, excluding vegetation, as measured from the maximum height limit, or the finished level of the roof as it existed on April 30, 2012, whichever is higher. On roofs with slopes greater than 20 degrees, vegetated roofs shall be limited to a height of 12 inches measured perpendicular to such roof surface;~~

~~(xii) — Weirs, check dams and other equipment for stormwater management, not more than 3 feet, 6 inches in height, as measured from the maximum height limit, or the finished level of the roof as it existed on April 30, 2012, whichever is higher.~~

(2) The maximum permitted size of enclosure walls surrounding elevator or stair bulkheads, roof water tanks, cooling towers and #accessory# mechanical equipment may be increased by authorization of the City Planning Commission, provided the Commission finds that:

Chapter 5
Special United Nations Development District

* * *

[ALLOWING ENERGY GENERATION AND STORAGE TO BE ADDED]

85-00
GENERAL PURPOSES

* * *

85-05
Limited Height of Buildings

The maximum height of a #building or other structure#, including elevator or stair bulkheads, #accessory# water tanks or cooling towers, chimneys, parapets, arbors or trellises and flagpoles, located within the #Special United Nations Development District#, shall not exceed 550 feet above the established grade of the easterly side of Second Avenue midway between East 43rd and East 45th Streets. No portion of any #building# within the #Special United Nations Development District# may be built to a height greater than the present height of the United Nations Secretariat Building within 200 feet west of the westerly boundary of First Avenue. No portion of any #development# on the south side of 44th Street within the #Special United Nations Development District# may be built to a height greater than 183 feet above #curb level# or 15 #stories#, whichever is less. However, #energy infrastructure equipment# and #accessory# mechanical equipment shall be permitted obstructions above all such height limits, subject to the provisions of Section 33-42.

* * *

Chapter 6
Special Forest Hills District

* * *

86-10
SPECIAL USE REGULATIONS

* * *

86-12
Modification of Uses Along Austin Street

The #use# regulations in the #Special Forest Hills District# shall be modified to permit Use Groups 10A, ~~10C~~, 12A, 12B, and 12D ~~and 12E~~ within C2 Districts fronting on Austin Street.

The provisions of Section 32-423 (Limitation on ground floor location) shall not apply to #uses# located along Austin Street.

* * *

Chapter 7
Special Harlem River Waterfront District

* * *

87-30
SPECIAL HEIGHT AND SETBACK, LEGAL WINDOW AND COURT REGULATIONS

* * *

87-31
Permitted Obstructions

In the Core and North Subdistricts, the provisions of Section 33-42 (Permitted Obstructions) shall apply to all #buildings#. In addition, dormers may penetrate a maximum base height in accordance with the provisions of paragraph (c)(1) of Section ~~23-621~~ 23-623 (Permitted obstructions in certain districts).

* * *

87-32
Special height and Setback Regulatinos in the Core Subdistrict

* * *

87-322
Base heights and transition heights

In the Core Subdistrict, the following base heights, required setbacks and maximum transition heights shall apply. Towers are permitted above the maximum heights set forth in this Section only in accordance with Section 87-323 (Tower provisions).

* * *

(b) Required setbacks

* * *

Dormers provided in accordance with paragraph (c)(1) of Section ~~23-621~~ 23-623 (Permitted obstructions in certain districts) shall be permitted obstructions in all setback areas, except along the #shore public walkway#. Such dormers shall not exceed the maximum transition height set forth in paragraph (c) of this Section.

* * *

87-323
Tower provisions

All #stories# that partially or wholly exceed the applicable maximum heights set forth in Section 87-322 (Base heights and transition heights) shall be considered a “tower” and may exceed such transition height only in accordance with the tower provisions of this Section.

* * *

(b) Setbacks

All towers shall comply with the applicable setback provisions set forth in paragraph (b) of Section 87-322.

The dormer provisions of paragraph (c)(1) of Section ~~23-621~~ 23-623 (Permitted obstructions in certain districts) shall not apply to the tower portion of a #building#. In lieu thereof, up to 50 percent of the width of the #street wall# of a tower shall be permitted to encroach into a required setback area, except in setback areas along the #shore public walkway#.

* * *

Chapter 8
Special Hudson Square District

* * *

88-30
SPECIAL BULK REGULATIONS

* * *

88-33
Height and Setback

In the #Special Hudson Square District#, the height and setback regulations of the underlying districts shall not apply. In lieu thereof, the provisions of this Section shall apply to all #buildings#.

(a) ~~Rooftop regulations~~ Permitted obstructions

(1) ~~Permitted obstructions~~

The provisions of Section 33-42 shall apply to all #buildings#, ~~except that elevator or stair bulkheads, roof water tanks, cooling towers or other mechanical equipment (including enclosures), may penetrate a maximum height limit, provided that either the~~

~~product, in square feet, of the #aggregate width of street walls# of such obstructions facing each #street# frontage, times their average height, in feet, shall not exceed a figure equal to eight times the width, in feet, of the #street wall# of the #building# facing such frontage, or that the #lot coverage# of all such obstructions does not exceed 20 percent of the #lot coverage# of the #building#, and the height of all such obstructions does not exceed 40 feet.~~

In addition, dormers may penetrate a maximum base height provided that such dormers comply with the provisions of paragraph (c) of Section ~~23-621-23-623~~ (Permitted obstructions in certain districts).

~~(2) — Screening requirements for mechanical equipment~~

~~For all #developments#, #enlargements# and #conversions# of #commercial# or #manufacturing# #floor area# to #residences#, all mechanical equipment located on any roof of a #building or other structure# shall be fully screened on all sides. However, no such screening requirements shall apply to water tanks.~~

(b) Height and setback

* * *

**ARTICLE IX
SPECIAL PURPOSE DISTRICTS**

* * *

**Chapter 1
Special Lower Manhattan District**

* * *

**91-10
SPECIAL USE REGULATIONS**

**91-11
Modification of Use Regulations in C5 Districts**

**91-111
Additional uses in C5 Districts**

In addition to the special permit #uses# cited in Section 91-06, the #use# regulations for C5 Districts within the #Special Lower Manhattan District# are modified to permit the following #uses#:

From Use Group 7:

Use Groups 7B ~~and 7E~~

From Use Group 8:

Use Groups 8A *, and 8B ~~and 8E~~

From Use Group 12:

Use Groups 12A **, 12B, and 12C ~~and 12E~~

* * *

Chapter 2
Special Park Improvement District

* * *

92-00
GENERAL PURPOSES

* * *

92-04
Special Bulk Provisions

* * *

92-043
Special height limitation

The maximum height of a #building or other structure#, or portion thereof, shall not exceed 19 #stories# or 210 feet above #curb level#, whichever is less. However, #energy infrastructure equipment# and #accessory# mechanical equipment shall be permitted obstructions above such height limits, subject to the provisions of Sections 23-62, inclusive, or 33-42, as applicable.

* * *

Chapter 3
Special Hudson Yards District

* * *

93-00
GENERAL PURPOSES

* * *

93-05
Applicability of District Regulations

* * *

93-052
Applicability of Article I, Chapter 3

#Public parking lots# authorized prior to January 19, 2005, and #accessory# off-street parking facilities for which a special permit has been granted prior to January 19, 2005, may be renewed subject to the terms of such authorization or special permit.

The provisions of Article I, Chapter 3, in their entirety shall be applied to Subdistricts F and G.

The following provisions of Article I, Chapter 3, governing #automated parking facilities#, ~~as defined in Section 13-02,~~ automobile rental establishments, commercial or public utility vehicle parking, and off-street loading berths shall apply to Subdistricts A, B, C, D and E, as applicable:

- (a) for #automated parking facilities#, the provisions of ~~Section 13-101 (Calculating parking spaces in automated parking facilities),~~ paragraph (b) of Section 13-25 (Reservoir Spaces), ~~and~~ paragraph (b) of Section 13-27 (Minimum and Maximum Size of Parking Facilities), paragraph (a)(3) of Section 36-521 (Size of spaces), and Section 36-524 (Calculating floor area in parking facilities with lift systems, or in automated parking facilities);
- (b) for automobile rental establishments, the provisions of Section 13-15 (Permitted Parking for Automobile Rental Establishments), paragraph (b) of Section 13-221 (Enclosure and screening requirements), Section 13-241 (Location of curb cuts), paragraph (b) of Section 13-242 (Maximum width of curb cuts), paragraph (c) of Section 13-25, and paragraph (c) of Section 13-27;
- (c) for commercial or public utility vehicle parking, the applicable provisions of Section 36-46 (Restrictions on the Use of Accessory Parking Spaces and Spaces in Public Parking Garages and Public Parking Lots), inclusive; 13-16 (Permitted Parking for Car Sharing Vehicles and Commercial Vehicles); and
- (d) for off-street loading berths, the provisions of Section 13-30, inclusive.

Additional provisions of Article I, Chapter 3, shall be applicable as specified in Section 93-80, inclusive.

* * *

93-40
HEIGHT AND SETBACK REGULATIONS

* * *

93-41
Rooftop Regulations

- (a) Subdistricts A, B, C, D, E and G

The provisions of Section 33-42 (Permitted obstructions) shall apply to all #buildings# within Subdistricts A through E and G, except that dormers may penetrate a maximum base height in accordance with the provisions of paragraph (c)(1) of Section 23-623 ~~23-621~~ (Permitted obstructions in certain districts).

- (b) Subdistrict F

In Subdistrict F, the provisions of paragraph ~~(f)~~ (b) of Section 33-42 shall apply, except that for towers above a height of 350 feet, in lieu of the provisions of 37-20 (SPECIAL SCREENING AND ENCLOSURE PROVISIONS), inclusive, rooftop mechanical structures shall comply with the tower top articulation provisions set forth in Section 93-569 shall apply.

* * *

93-50
SPECIAL HEIGHT, SETBACK AND YARD REGULATIONS

* * *

93-55
Special Height and Setback Regulations in the South of Port Authority Subdistrict E

- (a) #Zoning lots# with Eighth Avenue frontage

* * *

- (1) any portion of the #building or other structure# #developed# or #enlarged# pursuant to the tower regulations of Sections 33-45 or 35-64, as applicable, may penetrate the #sky exposure plane#;
- (2) permitted obstructions, as listed in paragraph (a) of Section 93-41, may penetrate the #sky exposure plane#. In addition, a dormer, as listed in paragraph (c)(1) of Section 23-623 ~~23-621~~, may penetrate the #sky exposure plane#.

* * *

Special 125th Street District

* * *

97-20
LOCATION AND ACCESS REGULATIONS

* * *

97-21
Supplemental Use and Streetscape Regulations Along 125th Street

* * *

97-212
Uses not permitted on the ground floor of buildings

The following #uses# are not permitted within #stories# that have a floor level within five feet of #curb level# in #buildings# #developed# after April 30, 2008, or within #stories# that have a floor level within five feet of #curb level# within portions of #buildings# #enlarged# after April 30, 2008, where such #building# or portion of a #building# fronts upon 125th Street, or is within 100 feet from 125th Street. Entranceways and lobby space for access to such #uses# shall be permitted at the ground floor level, pursuant to the provisions of Section 97-213 (Access to non-ground floor uses).

From Use Group 2:

All #uses#.

From Use Groups 3A ~~and 3B~~:

All #uses#, except for libraries, museums or non-commercial art galleries.

From Use Groups 4A and 4B:

All #uses#, except for houses of worship or playgrounds.

From Use Group 5A:

All #uses#.

From Use Groups 6A, 6B, and 6C ~~and 6E~~:

Banks (except for automated teller machines, provided the width of #street# frontage allocated for automated teller machines shall be no more than 25 feet or 40 percent of the frontage of the #zoning lot#, whichever is less, measured to a depth of 30 feet from 125th Street, except that such frontage need not be less than 20 feet), electrolysis studios, frozen food lockers, laundry establishments, loan offices, offices or veterinary medicine offices.

Honorable Dan Garodnick, Chair
Application No. N 230113 ZRY
November 20, 2023
Page 158 of 192

From Use Group 6D:

All #uses#.

From Use Group 7:

All #uses#, except for bicycle rental or repair shops.

From Use Groups 8A and 8B:

Automobile driving schools, ice vending machines, lumber stores or pawn shops.

From Use Groups 8C, and 8D ~~and 8E~~:

All #uses#.

From Use Groups 9A, and 9B ~~and 9C~~:

All #uses#, except for #health and fitness establishments#, public auction rooms, photographic developing or printing establishments for the consumer, or art, music, dancing or theatrical studios.

From Use Groups 10A, and 10B ~~and 10C~~:

Depositories for storage, and wholesale offices or showrooms.

Use Group 11:

All #uses#.

Use Groups 12A and 12B:

Trade expositions.

Use Groups 12C and 12D:

All #uses#.

Use Group 14A and 14B:

All #uses#, except for bicycle sales, rental or repair shops.

Within the Special District, for such #developments# and #enlargements# that are no more than one #story#, a #use# permitted by the regulations of the underlying district shall be allowed.

* * *

97-40
SPECIAL BULK REGULATIONS

* * *

97-43
Special Height and Setback Regulations

* * *

97-431
Permitted obstructions

The provisions of Section 33-42 (Permitted Obstructions) shall apply, except that dormers may penetrate a maximum base height in accordance with the provisions of paragraph (c)(1) of Section ~~23-624~~ 23-623 (Permitted obstructions in certain districts).

* * *

Chapter 8
Special West Chelsea District

* * *

98-40
SPECIAL YARD, HEIGHT AND SETBACK, AND MINIMUM DISTANCE BETWEEN BUILDINGS REGULATIONS

* * *

98-42
Special Height and Setback Regulations

* * *

98-422
Special rooftop regulations

The provisions of Section 33-42 (Permitted Obstructions) shall apply to all #buildings or other structures# within the #Special West Chelsea District#, except that dormers may penetrate a maximum base height in accordance with the provisions of paragraph (c)(1) of Section ~~23-624~~ 23-623 (Permitted obstructions in certain districts). However, dormers may not exceed the maximum #building# height in Subareas C, F and G where the maximum base height and maximum #building# height are the same.

All mechanical equipment located within 15 feet of the level of the #High Line bed# that is within 25 feet of the #High Line#, measured horizontally, or within the #High Line frontage#, as applicable, shall be screened and buffered with no intake or exhaust fans or vents facing directly onto the #High Line#.

* * *

ARTICLE X
SPECIAL PURPOSE DISTRICTS

Chapter 1
Special Downtown Brooklyn District

101-00
GENERAL PURPOSES

* * *

101-01
Definitions

For purposes of this Chapter, matter in italics is defined in Section 12-10 (DEFINITIONS), Section 101-702 (Definitions Specific to the Atlantic Avenue Subdistrict) or in this Section.

[MOVING TO SECTION 12-10]

~~Automated parking facility~~

~~An “automated parking facility” shall refer to an #accessory# off-street parking facility or #public parking garage# where vehicular storage and retrieval within such facility is accomplished entirely through a mechanical conveyance system, and shall not refer to a parking facility with parking lift systems that require an attendant to operate the vehicle that is to be parked.~~

Development or to develop

For purposes of this Chapter, “development” includes a #development#, an #enlargement# or an #extension#.

To “develop” is to create a #development#.

* * *

101-20
SPECIAL BULK REGULATIONS

* * *

**101-22
Special Height and Setback Regulations**

* * *

**101-221
Permitted obstructions**

The provisions of Section 33-42 (Permitted Obstructions) shall apply to all #buildings# within the #Special Downtown Brooklyn District#, except that dormers may penetrate a maximum base height in accordance with the provisions of paragraph (c)(1) of Section ~~23-624~~ 23-623 (Permitted obstructions in certain districts).

* * *

**101-50
OFF-STREET PARKING AND OFF-STREET LOADING REGULATIONS**

* * *

**101-53
Garages**

* * *

[ADDRESSED IN UNDERLYING PROVISIONS]

**101-534
Stackers in garages**

~~Within an enclosed attended parking facility with parking lift systems, for individual lifted trays upon which a vehicle is stored, each tray upon which a vehicle is stored shall be considered 153 square feet of #floor area#, except if located in portions of a #building# exempt from the definition of #floor area# pursuant to Section 12-10 (DEFINITIONS).~~

**101-535
Automated parking facilities**

~~For an #automated parking facility#, the minimum size of spaces regulated in Sections 25-62 (Size and Location of Spaces) and 36-521 (Size of spaces) shall not apply.~~

~~For the purpose of calculating parking spaces in #automated parking facilities#, each tray upon which a vehicle is stored shall constitute one off street parking space. However, auxiliary parking trays may be exempted from constituting a parking space where the Commissioner of Buildings determines that such auxiliary parking trays are needed to routinely store and retrieve vehicles for the efficient operation of such #automated parking facility#.~~

~~Within an #automated parking facility#, each tray upon which a vehicle is stored shall be considered 153 square feet of #floor area#, except if located in portions of a #building# exempt from the definition of #floor area# pursuant to Section 12-10 (DEFINITIONS).~~

~~101-536~~ 101-534
Special permit for public parking garages

* * *

Chapter 4
Special Manhattanville Mixed Use District

* * *

104-10
SPECIAL USE REGULATIONS

* * *

104-13
Commercial and Manufacturing Use Modifications

* * *

104-131
Use Group 6A

In Subdistrict B, the provisions of Section 42-12 (Use Groups 3A, 6A, 6B, 6D, 6F, 7B, 7C, 7D, ~~7E~~, 8, 9B, ~~9C~~, 10A, 10B, ~~10C~~, 11, 12A, 12C, 12D, ~~12E~~, 13, 14 and 16), shall be modified to permit food stores, including supermarkets, grocery stores or delicatessen stores, without limitation as to #floor area# per establishment.

* * *

104-30
SPECIAL HEIGHT AND SETBACK REQUIREMENTS

* * *

104-32
Rooftop Regulations

The special rooftop regulations of Section 104-32, inclusive, shall apply in Subdistricts A and C.

104-321

Mechanical Rooftop equipment

#Energy infrastructure equipment# and #accessory# mechanical Mechanical equipment, other than solar or wind energy systems open or enclosed, may be located on the roof of a #building# in accordance with the following provisions:

- (a) #Energy infrastructure equipment# and #accessory# mechanical Mechanical equipment shall not exceed the maximum height for rooftop of mechanical equipment specified for each Parcel as set forth in Appendix B of this Chapter and shall be measured from the roof level of the highest #story# of the #building#. Such ~~mechanical~~ equipment may penetrate the maximum #building# height specified for each Parcel as set forth in Appendix B.
- (b) Such ~~mechanical~~ equipment shall be set back at least 10 feet from the #upper street wall# of the #building#. In addition, such equipment shall not penetrate a #sky exposure plane# that begins at the point of intersection of the roof and the #upper street wall# of the #building#, and rises over the #building# at a slope of 2.7 feet of vertical distance for each foot of horizontal distance, except for permitted obstructions set forth in Section 104-322. Where portions of the #upper street wall# are located at different distances from the #street line# or #mandatory widened sidewalk line#, whichever is applicable, the portion used to establish such reference line shall be the portion that occupies the greatest area of such #upper street wall#.
- (c) Such ~~mechanical~~ equipment shall not overhang any recess in the #building# wall that is open to the sky.

104-322

Permitted obstructions

The obstructions set forth in Section 33-42, other than the rooftop equipment permitted pursuant to Section 104-321, as well as the following obstructions, ~~following shall not be considered obstructions and thus~~ may penetrate the applicable maximum #building# height and the applicable maximum height for rooftop mechanical equipment set forth in Appendix B of this Chapter, and may also penetrate the #sky exposure plane# set forth in Section 104-321 (~~Mechanical Rooftop~~ equipment). Within 50 feet of the #upper street wall#, the width of such obstructions shall be limited in total to 10 percent of the #aggregate width of street walls# of a #building#, per #street# frontage, at any level above the maximum level of rooftop mechanical equipment as set forth in Section 104-321. Beyond 50 feet from the #upper street wall#, the permitted obstructions may occupy an area not to exceed 30 percent of the #building# coverage at the ground level. Where portions of the #upper street wall# are located at different distances from the #street line# or #mandatory widened sidewalk line#, whichever is applicable, the portion used to establish

Honorable Dan Garodnick, Chair
Application No. N 230113 ZRY
November 20, 2023
Page 164 of 192

such reference line shall be the portion that occupies the greatest area of such #upper street wall#. However, in no event shall such obstructions be located within 10 feet of the #upper street wall#.

- (a) Antennae and structural support thereto;
- ~~(b) Chimneys, flues, intake and exhaust vents limited to a #lot coverage# of 900 square feet with neither length nor width of any single such obstruction, nor the total length or width of all such obstructions, greater than 30 feet;~~
- ~~(c) Decks, and other surfaces for recreational activities, not more than 3 feet, 6 inches in height, as measured from the maximum height limit, or the finished level of the roof as it existed on April 30, 2012, whichever is higher;~~
- ~~(d) Elevator and stair bulkheads to a maximum height of 15 feet above the permitted maximum height of mechanical equipment;~~
- ~~(e) Flagpoles or aerials;~~
- ~~(f) House of worship towers, ornamental, having no #floor area# in portion of tower penetrating such #sky exposure plane#;~~
- ~~(g) Parapet walls, not more than four feet in height, as measured from the maximum height limit, or the finished level of the roof as it existed on April 30, 2012, whichever is higher. A guardrail with a surface at least 70 percent open or with an opacity of not more than 30 percent (as viewed in elevation), shall be permitted above a parapet wall or within two feet of a parapet wall, provided such guardrail is not more than four feet above the accessible level of a roof. Such restriction on guardrail height shall not apply when located beyond two feet from a parapet wall;~~
- ~~(h)(b) Pipes and supporting structures;~~
- ~~(i)(c) Railings;~~
- ~~(j) Roof thickness, up to eight inches, to accommodate the addition of insulation, for #buildings# or portions of #buildings# constructed prior to April 30, 2012. For a #building# that has added roof thickness pursuant to this paragraph (j), an #enlargement# may align with the finished roof surface of such #building#, provided the #enlarged# portion does not exceed the maximum height limit by more than eight inches;~~
- ~~(k) Rooftop greenhouses, permitted pursuant to Section 75-01 (Certification for Rooftop Greenhouses);~~
- ~~(l) Skylights, clerestories or other daylighting devices, not more than four feet in height, as measured from the maximum height limit, or the finished level of the roof as it existed on April 30, 2012, whichever is higher. Such devices shall be limited to a #lot coverage# not greater than 10 percent of the #lot coverage# of the roof and be located at least eight feet from the #street wall# edge. However, such devices shall not be permitted obstructions above a roof with a slope greater than 20 degrees;~~

~~(m) — Solar energy systems:~~

~~(1) — on the roof of a #building#, up to four feet in height, as measured from the maximum height limit, or the finished level of the roof, whichever is higher;~~

~~(2) — on the roof of a #building#, greater than four feet in height, as measured from the maximum height limit, or the finished level of the roof, whichever is higher, provided that all such portions above four feet are set back at least six feet from a #street wall#, limited to a #lot coverage# not greater than 25 percent of the #lot coverage# of the roof and do not exceed:~~

~~(i) — a height of 15 feet; and~~

~~(ii) — when located on a bulkhead or other obstruction, pursuant to paragraph (d) of this Section, a height of six feet;~~

~~(3) — on walls existing on April 30, 2012, projecting no more than 10 inches and occupying no more than 20 percent of the surface area of the #building# wall (as viewed in elevation) from which it projects;~~

~~However, any installation on a roof with a slope greater than 20 degrees shall be limited to 18 inches in height, as measured perpendicular to the roof surface;~~

~~(n) — Spires or belfries;~~

~~(o) — Vegetated roofs, not more than 3 feet, 6 inches in height excluding vegetation, as measured from the maximum height limit, or the finished level of the roof as it existed on April 30, 2012, whichever is higher. On roofs with slopes greater than 20 degrees, vegetated roofs shall be limited to a height of 12 inches measured perpendicular to such roof surface;~~

~~(p) — Weirs, check dams and other equipment for stormwater management, not more than 3 feet, 6 inches in height, as measured from the maximum height limit, or the finished level of the roof as it existed on April 30, 2012, whichever is higher;~~

~~(q) — Window washing equipment mounted on the roof;~~

~~(r) — Wire, chain link or other transparent fences.~~

* * *

**Appendix B
 Base Plane and Building Height Table**

Parcel*	#Base Plane** (in feet)	Maximum #Building# Height** Above #Base Plane# (in feet)	Maximum Height of <u>Mechanical Rooftop</u> Equipment (in feet)
---------	----------------------------	--	---

A	21.6	140	40
	*	*	*

* * *

Chapter 5
Special Natural Area District

* * *

105-01
Definitions

Definitions specially applicable to this Chapter are set forth in this Section. The definitions of other defined terms are set forth in Section 12-10 (DEFINITIONS).

Area of no disturbance

An "area of no disturbance" is an area designated on the site plan that is protected from all types of intrusion, including: #site alteration#, operation of construction equipment, storage of construction materials, excavation or regrading, tunneling for utilities, removal of trees, #topsoil# or any living vegetation, or construction of driveways, #private roads#, parking areas, patios, decks, swimming pools, walkways or other impervious surfaces including any surfaces with permeable paving. #Areas of no disturbance# shall include #steep slopes#, #steep slope buffers# and the #critical root zone# of each tree proposed for preservation.

* * *

Chapter 7
Special South Richmond Development District

* * *

107-20
DISTRICT PLAN ELEMENTS

* * *

107-22
Designated Open Space

* * *

107-223
Permitted obstruction in designated open space

The following shall not be considered as obstructions when located in #designated open space#:

* * *

- (d) Fences or walls, conditioned upon certification by the City Planning Commission that:
 - (1) such fences or walls will not obstruct or preclude public access or circulation of pedestrians, cyclists or horseback riders through the public easement within #designated open space#; and
 - (2) the location, size, design and materials of such fences or walls are appropriate to the character of the #designated open space#;
- (e) ~~Exterior wall thickness~~ #Qualifying exterior wall thickness#, pursuant to Section 23-44;
- (f) Solar energy systems on walls, pursuant to Section 23-44 ~~existing on April 30, 2012, projecting no more than 10 inches and occupying no more than 20 percent of the surface area of the~~ #building# wall (as viewed in elevation) from which it projects.

No #accessory# off-street parking facilities shall be permitted in #designated open space#. No #building or other structure# shall be erected in #designated open space# except as permitted by the provisions of Section 107-221 (Active recreational facilities). Any existing #building or other structure# located within the #designated open space# on September 11, 1975, and not complying with the provisions of this Section or the other Sections specified in the preceding paragraph, shall not be #enlarged# but may be continued as a #non-conforming# #use# or #non-complying# #building# subject to the applicable provisions of Article V (Non-conforming Uses and Non-complying Buildings) in accordance with the underlying district regulations.

* * *

107-40
SPECIAL USE, BULK AND PARKING REGULATIONS

* * *

107-48
Special Landscaping and Buffering Provisions

* * *

107-483
Planting and screening for open parking areas

- (a) Tree planting requirements

One tree, of three inch caliper or more, pre-existing or newly planted, shall be provided for each

four parking spaces. Such trees may be located in the perimeter landscaped area of the parking area or in planting islands within the parking area.

However, where 30 or more parking spaces are provided, at least 50 percent of the required trees shall be located within planting islands within the parking area. Such planting islands shall have a minimum area of 150 square feet of pervious surface and comply with the requirements of paragraphs (a), (b) and (c) of Section 37-922 (Interior landscaping).

For open parking areas with at least 36 parking spaces, the total number of trees required pursuant to Section 37-922 (Interior landscaping) shall be superseded by the number of trees required pursuant to this Section.

Notwithstanding the above, For open parking areas where solar canopies will cover more than 75 percent of the parking spaces in a #accessory# off-street parking facility or #public parking lot#, or any portion thereof with more than 10 parking spaces, the provisions of Section 37-923 (Alternative compliance for solar canopies), including associated applicability and modifications to the provisions of Sections 37-921 (Perimeter landscaping) and 37-922, may be applied in lieu of the provisions of this Section.

(b) Screening requirements

* * *

107-60
AUTHORIZATIONS

* * *

107-67
Uses and Bulk Permitted in Certain Areas

* * *

107-671
In Areas F and K

In Areas F and K, as shown in the District Plan (Map 4 in Appendix A), the City Planning Commission may authorize one or more #uses# in the Use Groups specified in this Section not permitted by the underlying district regulations.

* * *

In each case the Commission may prescribe additional conditions and safeguards, including requirements for adequate screening, planting or landscaping.

Areas (as designated on the District Map)	Permitted Use Groups
F	12
K	7A 7B 7D 7E

* * *

Chapter 9
Special Little Italy District

* * *

109-10
PRESERVATION AREA (Area A)

* * *

109-12
Bulk Regulations

* * *

109-124
Height and setback regulations

The maximum height of any #building or other structure# shall not exceed 75 feet or seven #stories# above the #curb level#, whichever is less, unless allowed by the City Planning Commission pursuant to Section 109-514.

~~However, the provisions of this Section shall not apply to #enlargements# if, prior to February 2, 2011, a building permit has been lawfully issued authorizing such construction.~~

However, #energy infrastructure equipment# and #accessory# mechanical equipment shall be permitted obstructions above such height limits, subject to the provisions of Section 33-42.

* * *

109-30
HOUSTON STREET CORRIDOR (Area B)

* * *

109-32
Bulk Regulations

* * *

109-323
Height and setback regulations

The maximum permitted height of a #street wall# at the #street line# without setback shall not exceed 100 feet above #curb level# and, above this height, no portion of a #building or other structure# shall penetrate a #sky exposure plane# commencing at 100 feet and rising over the #zoning lot# at a ratio of 1.5 to 1.0.

In addition, no portion of a #building or other structure# shall penetrate a #rear sky exposure plane# commencing at a height of 100 feet above #curb level# and at a distance of 100 feet from and parallel to the #street line#, and rising over the #zoning lot# at a ratio of 1.5 to 1.0 along #wide streets# and at a ratio of 1.0 to 1.0 along #narrow streets#.

However, #energy infrastructure equipment# and #accessory# mechanical equipment shall be permitted obstructions above such height limits, subject to the provisions of Section 33-42.

* * *

ARTICLE XI
SPECIAL PURPOSE DISTRICTS

Chapter 1
Special Tribeca Mixed Use District

* * *

111-20
SPECIAL BULK PROVISIONS FOR AREAS A1 THROUGH A7

* * *

(d) Areas A4, A5, A6 and A7

* * *

(2) The provisions of Section 33-42 (Permitted Obstructions) shall apply to all #buildings#, except that dormers may penetrate a maximum base height in accordance with the provisions of paragraph (c)(1) of Section ~~23-621~~ 23-623 (Permitted obstructions in certain districts).

* * *

Chapter 4
Special Bay Ridge District

* * *

114-10
SPECIAL BULK REGULATIONS

* * *

114-12
Special Height and Setback Regulations

114-121
Special rooftop regulations

The provisions of Section 33-42 (Permitted Obstructions) shall apply to all #buildings or other structures# in R6A, R6B, R7A, R7B, C4-2A and C8-2 Districts in the #Special Bay Ridge District#, except that dormers may penetrate a maximum base height in accordance with the provisions of paragraph (c)(1) of Section ~~23-621~~ 23-623 (Permitted obstructions in certain districts).

114-122
Maximum building height and setback

In the #Special Bay Ridge District#, the height and setback and maximum #building# height regulations of the underlying districts have been modified as follows:

* * *

(b) For #community facilities# in #Residence Districts#

In R3A, R3X, R3-2, R4A, R4-1, R4B and R5B Districts, the maximum height of a #building or other structure# containing #community facility uses# shall not exceed 32 feet.

However, #energy infrastructure equipment# and #accessory# mechanical equipment shall be permitted obstructions above such height limits, subject to the provisions of Sections 24-51 or 33-42, as applicable.

* * *

Chapter 5
Special Downtown Jamaica District

* * *

**115-10
SPECIAL USE REGULATIONS**

* * *

**115-15
Modification of Use Regulations in M1-4 Districts**

* * *

Use Groups 6 and 10

All #uses# listed in Sections 32-15 (Use Group 6) and 32-19 (Use Group 10), shall be permitted and shall not be subject to the limitations specified in Section 42-12 (Use Groups 3A, 6A, 6B, 6D, 6F, 7B, 7C, 7D, ~~7E~~, 8, 9B, ~~9C~~, 10A, 10B, ~~10C~~, 11, 12A, 12C, 12D, ~~12E~~, 13, 14 and 16).

* * *

From Use Group 18:

Breweries, limited to 10,000 square feet of #floor area# per establishment

~~#Uses# #accessory# to the preceding listed #uses#~~

* * *

**115-20
SPECIAL BULK REGULATIONS**

* * *

**115-23
Height and Setback Regulations**

* * *

**115-231
Permitted obstructions**

The provisions of Section 33-42 (Permitted Obstructions) shall apply to all #buildings# within the #Special Downtown Jamaica District#, except that dormers may penetrate a maximum base height in accordance with the provisions of paragraph (c)(1) of Section ~~23-621~~ 23-623 (Permitted obstructions in certain districts).

* * *

Chapter 6
Special Stapleton Waterfront District

* * *

116-20
SPECIAL BULK REGULATIONS FOR SUBAREAS A, B AND C, THE ESPLANADE, PIER PLACE AND THE COVE

The special #bulk# regulations of Section 116-20, inclusive, shall apply to Subareas A, B and C, the #Esplanade#, #Pier Place# and the #Cove#.

* * *

116-23
Special Height and Setback Regulations

* * *

116-231
Special rooftop regulations

The provisions of Section 33-42 (Permitted Obstructions) shall apply to all #buildings or other structures# in Subareas A, B and C, except that dormers may penetrate a maximum base height in accordance with the provisions of paragraph (c)(1) of Section ~~23-621~~ 23-623 (Permitted obstructions in certain districts).

* * *

116-233
Height and setback

Within the #Special Stapleton Waterfront District#, the underlying height and setback regulations shall be modified as follows:

- (a) Subareas A and B1

* * *

- (3) Dormer provisions

The underlying dormer provisions of paragraph (c) of Section ~~23-621~~ 23-623 (Permitted obstructions in certain districts) shall apply, except that no dormer shall be permitted above a height of 85 feet, or above the maximum height of the #building or other structure# permitted in paragraph (a) of this Section, whichever is lower.

* * *

Chapter 7

Special Long Island City Mixed Use District

* * *

117-20
SPECIAL PROVISIONS IN THE DESIGNATED DISTRICTS

* * *

117-22
Modification of Use Group 6A

M1-4/R6A M1-4/R6B M1-4/R7A M1-5/R7X M1-5/R8A

The provisions of Section 42-12 (Use Groups 3A, 6A, 6B, 6D, 6F, 7B, 7C, 7D, ~~7E~~, 8, 9B, ~~9C~~, 10A, 10B, ~~10C~~, 11, 12A, 12C, 12D, ~~12E~~, 13, 14 and 16) pertaining to Use Group 6A shall be modified as follows:

Food stores, including supermarkets, grocery stores or delicatessen stores, shall not be limited as to #floor area# per establishment.

* * *

117-60
DUTCH KILLS SUBDISTRICT

* * *

117-62
Special Use Regulations

In the Dutch Kills Subdistrict, the provisions of Section 42-12 (Use Groups 3A, 6A, 6B, 6D, 6F, 7B, 7C, 7D, ~~7E~~, 8, 9B, ~~9C~~, 10A, 10B, ~~10C~~, 11, 12A, 12C, 12D, ~~12E~~, 13, 14 and 16) shall be modified to permit food stores, including supermarkets, grocery stores or delicatessen stores, without limitation as to #floor area# per establishment.

* * *

Chapter 8
Special Union Square District

* * *

118-30
STREET WALL, HEIGHT AND SETBACK REGULATIONS

* * *

No #development# or #enlargement# shall penetrate such #sky exposure plane# except pursuant to Section 33-45 (Tower Regulations). However, Section 33-45 shall not be applicable to any portion of a #building# located within 100 feet of a #street line# opposite a #public park#.

However, #energy infrastructure equipment# and #accessory# mechanical equipment shall be permitted obstructions above such height limits, subject to the provisions of Section 33-42.

118-31
Modification of Street Wall Requirements

* * *

Chapter 9
Special Hillside Preservation District

* * *

119-01
Definitions

Definitions specially applicable to this Chapter are set forth in this Section. The definitions of other defined terms are set forth in Section 12-10 (DEFINITIONS).

Area of no disturbance

An "area of no disturbance" is an area designated on the site plan that is protected from all types of intrusion, including: #site alteration#, operation of construction equipment, storage of construction materials, excavation or regrading, tunneling for utilities, removal of trees, #topsoil# or any living vegetation, or construction of driveways, #private roads#, parking areas, patios, decks, swimming pools, walkways or other impervious surfaces, including any surfaces with permeable paving. #Areas of no disturbance# shall include #steep slopes#, #steep slope buffers# and the #critical root zone# of each tree proposed for preservation.

* * *

ARTICLE XII
SPECIAL PURPOSE DISTRICTS

Chapter 1
Special Garment Center District

* * *

121-40
SPECIAL BULK REGULATIONS WITHIN SUBDISTRICT A-2

* * *

121-42
Height of Street Walls and Maximum Building Height Within Subdistrict A-2

* * *

(b) Maximum #building# height

* * *

(2) permitted obstructions, as listed in Section 33-42, may penetrate the #sky exposure plane# and the height limit of 250 feet. In addition, a dormer, as listed in paragraph (c)(1) of Section ~~23-621~~ 23-623 (Permitted obstructions in certain districts), may penetrate the #sky exposure plane#.

* * *

Chapter 4
Special Willets Point District

* * *

124-20
BULK REGULATIONS

* * *

124-22
Height and Setback Regulations

* * *

(b) Required setbacks and maximum #building# height

Except as provided in paragraph (c)(6) of this Section, setbacks are required for all portions of #buildings or other structures# that exceed a height of 85 feet. Such setbacks shall be provided at a height not lower than 60 feet. The depth of the required setback shall be at least 10 feet measured from any required #street wall# fronting on a #wide street#, and at least 15 feet from any required #street wall# fronting on a #narrow street#. Where portions of #buildings or other structures# that exceed a height of 85 feet are not located above a required #street wall#, such portions shall be set back at least 10 feet from a #wide# #street line# and at least 15 feet from a #narrow# #street line#. However, dormers may penetrate a height of 85 feet in accordance with the provisions of paragraph (c) of Section ~~23-621~~ 23-623 (Permitted obstructions in certain districts). Within the area limited to 232 feet above mean sea level, as shown on Map 3 in the

Appendix to this Chapter, no portion of a #building or other structure# shall exceed a height of 120 feet except in accordance with the tower provisions of paragraph (c) of this Section.

* * *

Chapter 5
Special Southern Hunters Point District

* * *

125-30
HEIGHT AND SETBACK REGULATIONS

* * *

125-31
Rooftop Regulations

The provisions of Section 33-42 (Permitted Obstructions) shall apply to all #buildings# within the #Special Southern Hunters Point District#, except that dormers may penetrate a maximum base height in accordance with the provisions of paragraph (c)(~~4~~) of Section ~~23-624~~ 23-623 (Permitted obstructions in certain districts).

* * *

Chapter 6
Special College Point District

* * *

126-10
SPECIAL USE REGULATIONS

* * *

126-11
Recreational Uses

The regulations of Section 42-10 (USES PERMITTED AS-OF-RIGHT), shall be modified to allow the following #uses# as-of-right within the #Special College Point District#:

From Use Group 4A:

Non-commercial recreation centers

From Use Group 4B:

Golf courses

Outdoor tennis courts or ice skating rinks, provided that all lighting shall be directed away from nearby #residences#

#Public parks#, playgrounds or private parks

~~From Use Group 4C:~~

~~#Accessory# #uses#~~

126-12
Performance Standards

* * *

Chapter 8
Special St. George District

* * *

128-30
HEIGHT AND SETBACK REGULATIONS

* * *

128-31
Rooftop Regulations

The provisions of Section 33-42 (Permitted Obstructions) shall apply to all #buildings#, except that dormers may penetrate a maximum base height in accordance with the provisions of paragraph (c)(1) of Section ~~23-621~~ 23-623 (Permitted obstructions in certain districts).

* * *

128-33
Maximum Base Height

* * *

In C4-2 Districts within the Upland Subdistrict and in R7-3 Districts, dormers may exceed the maximum base height in accordance with the provisions of paragraph (c) of Section ~~23-621~~ 23-623 (Permitted obstructions in certain districts). However, on any #zoning lot# that includes a tower #developed# or #enlarged# pursuant to Section 128-35, dormers shall not be permitted.

* * *

128-60
SPECIAL APPROVALS

* * *

128-61
Special Permit for North Waterfront Sites

* * *

Pursuant to such Proposed Plans, the Commission may:

(a) permit the following #uses# :

- (1) #commercial# #uses# as set forth in Section 42-12 (Use Groups 3A, 6A, 6B, 6D, 6F, 7B, 7C, 7D, ~~7E~~, 8, 9B, ~~9C~~, 10A, 10B, ~~10C~~, 11, 12A, 12C, 12D, ~~12E~~, 13, 14 and 16) with no limitation on #floor area# per establishment;

* * *

ARTICLE XIII
SPECIAL PURPOSE DISTRICTS

Chapter 1
Special Coney Island District

* * *

131-10
SPECIAL USE REGULATIONS

* * *

131-13
Special Use Regulations in Subdistricts

* * *

131-132
Coney North and Coney West Subdistricts

* * *

(b) Prohibited ground floor level #uses# along #streets# other than Riegelmann Boardwalk

No #use# listed in this paragraph, (b), shall be permitted within 50 feet of a #street# specified on Map 2. Lobbies or entryways to non-ground floor level #uses# are permitted, provided the length of #street# frontage occupied by such lobbies or entryways does not exceed, in total, 60 feet.

From Use Group 2:

All #uses#

From Use Groups 3A ~~and 3B~~:

All #uses#, except for libraries, museums or non-commercial art galleries

From Use Groups 4A and 4B:

All #uses#, except for houses of worship or playgrounds

From Use Group 5A:

All #uses#, except that #transient hotels# shall be permitted within 200 feet of Surf Avenue between Stillwell Avenue and West 16th Street, where permitted pursuant to Section 32-02

From Use Groups 6B, and 6E:

Offices, veterinary medicine offices or non-commercial clubs

From Use Group 6C:

Banks (except for automated teller machines, provided the length of #street# frontage allocated for automated teller machines shall be no more than 25 feet or 40 percent of the frontage of the #zoning lot#, whichever is less, except such frontage need not be less than 20 feet), except that this prohibition shall not apply along Stillwell Avenue

Electrolysis studios, frozen food lockers and loan offices

From Use Group 6D:

All #uses#

From Use Group 7:

All #uses#, except for bicycle rental or repair shops

Honorable Dan Garodnick, Chair
Application No. N 230113 ZRY
November 20, 2023
Page 181 of 192

From Use Groups 8A and 8B:

Automobile driving schools, ice vending machines, lumber stores or pawn shops

From Use Groups 8C, and 8D ~~and 8E~~:

All #uses#

From Use Groups 9A, and 9B ~~and 9C~~:

All #uses#, except for #health and fitness establishments#, public auction rooms, photographic developing or printing establishments for the consumer, or art, music, dancing or theatrical studios

From Use Groups 10A, and 10B ~~and 10C~~:

Depositories for storage, and wholesale offices or showrooms

Use Group 11:

All #uses#

Use Groups 12A and 12B:

Trade expositions

Use Groups 12C and 12D:

All #uses#

Use Groups 14A and 14B:

All #uses#, except for bicycle sales, rental or repair shops.

* * *

131-40
HEIGHT AND SETBACK REGULATIONS

* * *

131-41
Rooftop Regulations

The provisions of Section 33-42 (Permitted Obstructions) shall apply to all #buildings# within the #Special Coney Island District#, except that dormers may penetrate a maximum base height in accordance with the provisions of paragraph (c)(1) of Section ~~23-621~~ 23-623 (Permitted obstructions in certain districts) only in the Mermaid Avenue Subdistrict.

* * *

Chapter 3
Special Southern Roosevelt Island District

* * *

133-20
SPECIAL BULK REGULATIONS

* * *

133-23
Height and Setback

* * *

133-234
Permitted obstructions

Sections 23-62, 24-51 and 33-42 (Permitted obstructions) shall be modified to allow #accessory# ~~energy generating systems~~ energy infrastructure equipment and #accessory# mechanical equipment on the roof of a #building#, or any other structures supporting such systems, as permitted obstructions, without limitations.

* * *

Chapter 4
Special Governors Island District

* * *

134-20
SPECIAL BULK REGULATIONS

* * *

134-24
Height and Setback Regulations

* * *

(b) Southern Subdistrict

* * *

- (4) Permitted obstructions in the Eastern Subarea and Western Subarea

In the Eastern Subarea and Western Subarea, the provisions of Section 33-42 (Permitted Obstructions) shall apply to all #buildings#, modified as follows:

- (i) the obstructions permitted by paragraph ~~(f)~~(b) of Section 33-42 may exceed the maximum #building# height by 40 feet with no restriction on area; and
- (ii) no such obstructions shall be permitted within the setback required by paragraph (b)(2) of this Section.

* * *

Chapter 5
Special Bay Street Corridor District

* * *

135-10
SPECIAL USE REGULATIONS

* * *

135-14
Modification of Supplemental Use Provisions

In Subdistricts A, B and C, the underlying provisions of Section 32-421 (Limitation on floors occupied by commercial uses) shall be modified as follows:

- (a) For #mixed buildings#, offices, as listed in Use Group 6B, shall be permitted on the lowest two #stories# of a #building#, provided that no access exists between such offices and any #residential uses#;
- (b) For #commercial buildings#, the provisions restricting the location of #uses# listed in Use Groups 6A, 6B, 6C, ~~6E~~, 7, 8, 9 or 14 to two #stories#, shall not apply; and
- (c) Any brewery #developed# or #enlarged# in accordance with the provisions of Section 135-14, shall be subject to the provisions of Section 32-421.

* * *

135-20

SPECIAL BULK REGULATIONS

* * *

135-25
Special Height and Setback Regulations

The underlying height and setback provisions are modified by the provisions of this Section.

Pursuant to Section 135-31 (Special Visual Corridor Requirements), required visual corridors shall be considered #streets#. Such visual corridors shall be considered #wide streets# for the purposes of applying the height and setback regulations of this Section.

* * *

(d) Dormer provisions

The underlying dormer provisions of paragraph (c) of Section ~~23-621~~ 23-623 (Permitted obstructions in certain districts) shall apply, except that no dormer shall be permitted above a height of 85 feet, or above the maximum height of the #building or other structure# permitted in paragraph (a) of this Section, whichever is less.

* * *

Chapter 6
Special Downtown Far Rockaway District

* * *

136-30
SPECIAL REGULATIONS WITHIN SUBDISTRICT A

* * *

136-31
Special Height and Setback Regulations Within Subdistrict A

* * *

136-313
Minimum and maximum base height

* * *

(b) Dormers

The provisions of paragraph (c) of Section ~~23-624~~ 23-623 (Permitted obstructions in certain districts) shall be modified to allow dormers as a permitted obstruction within the required front setback distance above a maximum base height, as follows:

- (1) Within 75 feet of intersecting #streets#, dormers shall be permitted without limitation on width.
- (2) Where dormers are provided pursuant to paragraph (b)(1) of this Section, and such dormers exceed the maximum width permitted pursuant to paragraph (c) of Section ~~23-624~~ 23-623, for any portion of a #building# with an #aggregate width of street walls# greater than 75 feet, a setback shall be provided above the maximum base height between such dormer and any other dormer for a width of at least 20 feet, or the remaining width of such #street wall#, as applicable.
- (3) Beyond 75 feet of intersecting #streets#, the provisions of paragraph (c) of Section ~~23-624~~ 23-623 shall apply. The width of any dormers provided pursuant to the provisions of paragraph (b)(1) of this Section shall be included in the aggregate width of all dormers.

* * *

Chapter 9:
Special Gowanus Mixed Use District

* * *

139-20
SPECIAL BULK REGULATIONS

* * *

139-22
Special Yard Regulations

* * *

139-221
Permitted obstructions in required yards

In all #Commercial#, #Manufacturing#, and #Mixed Use Districts#, the permitted obstruction provisions of paragraph (b)~~(3)~~(2) of Section 33-23 and paragraph (b)(1) of Section 43-23 shall be modified such that, in any #rear yard#, any #building# or portion of a #building# used for any permitted non-#residential use# (except any #building# portion containing rooms used for living or sleeping purposes) shall be a permitted obstruction, provided that the height of such #building#, or portion thereof, shall not exceed two #stories#, excluding #basements#, nor in any event 30 feet above #curb level#. Any allowance for other permitted obstructions above a #building# in a #rear yard# or #rear yard equivalent# set forth in Section 33-23 or 44-23, as applicable, shall be permitted above such modified height limitations.

* * *

**139-23
Special Height and Setback Regulations**

* * *

**139-237
Special street wall articulation requirements**

* * *

In addition, in Subdistrict D, the underlying dormer provisions of paragraph (c) of Section ~~23-621~~ 23-623 shall be modified for portions of #buildings# facing Third Street, so that above the maximum base height, dormers shall be permitted only within 75 feet of the intersection of two #streets#.

* * *

**139-30
SPECIAL PARKING REGULATIONS**

* * *

**139-31
Special Accessory Off-street Parking Regulations**

* * *

**139-315
~~Use of parking facilities for car sharing vehicles~~**

[UNNECESSARY, COVERED BY UNDERLYING REGULATIONS]

~~The underlying regulations regarding the occupation of #accessory# or required off-street parking spaces by #car sharing vehicles# shall be modified so that, in all districts, the number of spaces occupied by #car sharing vehicles# shall not exceed 20 percent of all spaces in a #group parking facility#.~~

**139-316
Use of parking facilities for public parking**

All #accessory# off-street parking spaces may be made available for public use. However, parking spaces #accessory# to #residences# shall be made available to the occupant of a #residence# to which it is #accessory# within 30 days after written request is made to the landlord.

139-32
Special Permitted Off-street Parking Regulations

* * *

139-232
Permitted obstructions

In all districts, the underlying permitted obstruction regulations shall be modified by this Section.

[UNNECESSARY, COVERED BY UNDERLYING REGULATIONS]

~~(a)~~ ~~Solar energy systems~~

~~The underlying permitted obstruction regulations shall be modified to permit solar energy systems as a permitted obstruction up to a #lot coverage# of 100 percent of the #lot coverage# of the roof.~~

~~(b)~~(a) Balconies

Unenclosed balconies complying with the provisions of Section 23-132 (Balconies in R6 through R10 Districts) may encroach into any required open area on the #zoning lot#. However, balconies that encroach into #waterfront public access areas# shall be regulated by the provisions of paragraph (a)(1) Section 139-51 (Area-wide Modifications).

~~(c)~~(b) Dormers

Above the maximum base height, dormers shall be permitted to encroach into a required setback area, except setback areas adjoining tower portions of #buildings# and setback areas facing #waterfront public access areas#, provided that:

* * *

[UNNECESSARY, COVERED BY UNDERLYING REGULATIONS]

139-32
Special Permitted Off-street Parking Regulations

For portions of an #automated parking facility#, as that term is defined in Section 13-02, each tray upon which a vehicle is stored shall be considered one parking space, regardless of its size. In addition, at a height in excess of 23 feet above #curb level# each parking tray shall be considered #floor area# in an amount of 153 square feet or the size of such lifted tray, whichever is greater.

~~139-33~~

139-32

Special Loading Regulations

* * *

139-40

DISTRICT PLAN ELEMENTS

* * *

139-42

Street Tree Requirements

In all districts, all #developments#, or #enlargements# that increase the #floor area# on a #zoning lot# by 20 percent or more, shall provide #street# trees in accordance with Section 26-41 (Street Tree Planting).

~~In addition, for #zoning lots# with over 100 feet of street frontage, wherever two required #street# tree pits will be separated by less than 25 feet, such tree pits shall be combined and designed as a single continuous tree pit.~~

139-43

Sidewalk Widening Requirements

* * *

Article XIV - Special Purpose Districts

Chapter 1

Special Jerome Corridor District

* * *

141-20

SPECIAL BULK REGULATIONS

* * *

141-21

Special Yard Regulations

In ~~Commercial Districts~~, for ~~zoning lots~~ or portions thereof, with ~~street lines~~ along the elevated rail structure on Jerome or River Avenues and within 100 feet of such ~~street lines~~, the permitted obstructions set forth in Section 33-23 (Permitted Obstructions in Required Yards or Rear Yard Equivalents) shall be modified to permit any ~~building~~ or portion of a ~~building~~ used for any permitted ~~use~~ other than ~~residences~~, to be a permitted obstruction within a required ~~yard~~, ~~rear yard equivalent~~ or other ~~open space~~ required pursuant to the provisions of Section 33-20 (YARD REGULATIONS), inclusive, or Section 33-30 (OTHER SPECIAL PROVISIONS FOR REAR YARDS), inclusive, provided that the height of such portion of a ~~building~~ shall not exceed two ~~stories~~, excluding ~~basement~~, nor in any event 30 feet above ~~curb level~~. Any allowance for other permitted obstructions above a ~~building~~ in a ~~rear yard~~ or ~~rear yard equivalent~~ set forth in Section 33-23, shall be permitted above such modified height limitations.

141-22
Special Floor Area Regulations in R8A Districts

* * *

141-23
Special Height and Setback Regulations Along the Elevated Rail Structure Outside Subdistrict A

* * *

(c) Required and permitted articulation

* * *

In addition, the underlying dormer provisions of paragraph (c) of Section ~~23-621~~ 23-623 shall be modified for portions of ~~buildings~~ facing the elevated rail structure, so that above the maximum base height set forth in paragraph (b) of this Section, dormers shall be permitted only within 75 feet of a corner.

141-24
Special Height and Setback Regulations in Subdistrict A

* * *

(c) Required and permitted articulation

* * *

In addition, the underlying dormer provisions of paragraph (c) of Section ~~23-621~~ 23-623 shall apply, except that in Subareas A1 through A3, for ~~street walls~~ intersecting within 100 feet of the corners designated on Maps 2, 3 and 4, and irrespective of the width of the ~~street wall~~ below the maximum base height, dormers shall be permitted within 100 feet of such intersecting ~~street walls~~. Such dormers need not decrease in width as the height above the maximum base

height increases.

* * *

Chapter 2
Special Inwood District

* * *

142-40
SPECIAL HEIGHT AND SETBACK REGULATIONS

* * *

142-41
Permitted Obstructions in Subareas A2, A3, B1, B3 and B4

In Subareas A2, A3, B1, B3 and B4, as shown on Map 1 (Special Inwood District – Subdistricts and Subareas) in the Appendix to this Chapter, the provisions of Section 33-42 (Permitted Obstructions) shall apply to all #buildings#. In addition, along all #street# frontages, dormers may penetrate a maximum base height in accordance with the provisions of paragraph (c)(1) of Section ~~23-621~~ 23-623 (Permitted obstructions in certain districts), and balconies shall be permitted in conjunction with #residential uses# as set forth in Section 23-132 (Balconies in R6 through R10 Districts).

* * *

Chapter 3
Special SoHo-NoHo Mixed Use District

* * *

143-20
SPECIAL BULK REGULATIONS

* * *

143-23
Special Yard Regulations

The applicable #rear yard# and #rear yard equivalent# regulations shall be modified as follows:

- (a) Permitted obstructions

In any #rear yard# or #rear yard equivalent#, any #building# or portion of a #building# used for #commercial#, #manufacturing#, or #residential uses#, other than dwelling units, shall be a

permitted obstruction, provided that the height of such #building# shall not exceed one #story#, excluding #basement#, nor in any event 23 feet above #curb level#.

In addition, in M1-5 Districts paired with an R9X District north of Howard Street, in any #rear yard#, any #building# or portion of a #building# used for any permitted non-#residential use#, shall be a permitted obstruction, provided that the height of such #building#, or portion thereof, shall not exceed two #stories#, excluding #basements#, nor in any event 30 feet above #curb level#.

Any allowance for other permitted obstructions above a #building# in a #rear yard# or #rear yard equivalent# set forth in Section 43-23 Decks, parapet walls, roof thickness, skylights, vegetated roofs, and weirs, pursuant to Section 43-42 (Permitted obstructions), shall be permitted above such modified height limitations.

(b) Required #rear yards#

* * *

143-24 Special Height and Setback Regulations

For the purposes of this Section, Watts Street, West Broadway, Centre Street, and Great Jones Street shall be considered #wide streets#.

The applicable height and setback regulations are modified as follows:

* * *

(d) Dormers

As an alternative to the dormer provisions of paragraph (c) of Section ~~23-621~~ 23-623, dormers may be a permitted obstruction within a required front setback distance above a maximum base height, provided that the aggregate width of all dormers at the maximum base height does not exceed 40 percent of the width of the #street wall# of the highest #story# entirely below the maximum base height. Such dormers need not decrease in width as the height above the maximum base height increases.

* * *

Honorable Dan Garodnick, Chair
Application No. N 230113 ZRY
November 20, 2023
Page 192 of 192

Please feel free to contact me at WVidal@council.nyc.gov if you or your staff have any questions in this regard.

Sincerely,



.....
William Vidal,
Deputy General Counsel

WV:SFN

C: Members, City Planning Commission
Perris Straughter, Director, Land Use Division
Brian Paul, Deputy Director
Chelsea Kelley, Deputy Director
Arthur Huh, Deputy General Counsel
Timothy Anderson, Project Manager
Susan Amron, Esq., DCP
James Harris, DCP
Danielle J. DeCerbo, DCP
File